



## 2012 Classic W Parts Manual



Serial numbers 12CWXXXXXXXXXXXXXXXXX and higher

# About This Manual

Congratulations on the purchase of your new Dixie Chopper mower! When operated and maintained as directed, Dixie Chopper is confident that this mower will provide you with years of excellent performance, durability, and trouble free service.

Should you ever have any questions regarding the operation, maintenance, or safety of your mower, please contact your authorized Dixie Chopper dealer who has been specially trained in the operation and service of Dixie Chopper mowers.

Please take time to record the information about your new Dixie Chopper mower in the space below for future reference. Such information may be needed when you contact your authorized Dixie Chopper dealer with questions.

Your Dixie Chopper dealer is the best source for genuine parts and accessories to keep your mower running and cutting its best. The replacement parts found within this manual are available through all authorized dealers.

Illustrations and photographs used in this manual were current as of date of print. Despite this effort, production changes may have occurred after the time of the purchase of your Dixie Chopper; therefore, your unit may vary slightly from what is depicted in this manual.

All information, illustrations, and specifications contained in this manual were in effect at the time of publication. Dixie Chopper reserves the right to change, modify, and/or discontinue specifications and/or design without notice. If there is a change that has been made to your mower which is not shown or reflected in this manual, please see your authorized Dixie Chopper dealer before operating and/or servicing equipment.

## Authorized Dealer:

Model #: \_\_\_\_\_ Engine Model #: \_\_\_\_\_

Serial #: \_\_\_\_\_ Engine Serial #: \_\_\_\_\_

Date purchased: \_\_\_\_\_

# Table of Contents

## Section 1 Front Chassis

Front Tires, Forks and Bearings.....	1
Assist Springs.....	2
Left Hand Upper Deck Lift Brackets.....	3
Right Hand Upper Deck Lift Brackets.....	4
Deck Lift Rods and Hardware.....	5
Deck Stabilizer Attachment.....	6
Foot Pedal.....	7
Deck Height Selector Plate.....	8
Deck Assist Spring Attachment.....	9

## Section 2 Rear Chassis

Rear Pod and Hydraulic Tank.....	10
Pumps and Fittings.....	11
Pump Attachment.....	12
Engine Pull Back.....	13
Wheel Motor Cradle.....	14
Wheel Motor Mounting.....	15
Rear Pod Wing Plates.....	16
Drivetrain Idlers.....	17
Pump Pulleys.....	18
Clutch Stop and Hitch.....	19
Wheelie Bar Skid Plate.....	20
Pump Hoses and Routing.....	21
Coupling Front and Rear Chassis.....	22

## Section 3 Body

Inner Fenders and Cross Member.....	23
Steering Stops.....	24
Dampner Brackets.....	25
Brake Handle.....	26
Brake Handle Attachment.....	27
OCDC Handle.....	28
Fuel Valve Right Side Tank Supports.....	29
Over Flow Tank Left Side Tank Supports.....	30
Steering Controls and Front Pan.....	31
Front Pan Attachment.....	32
Dampners.....	33
Seat Pan.....	34
Seat Pan Attachment.....	35

# Table of Contents

## Section 3 Body Continued

Fuel Tanks.....	36
Right Side Fender.....	37
Left Side Fender.....	38
Right Side Control Panel.....	39
Left Side Control Panel.....	40
Lower Body to Chassis Attachment.....	41
Body Attachment.....	42
Seat and Attaching Hardware.....	43
Seat Belts.....	44
Floor Pan.....	45
Battery and Hardware.....	46
Engine Guard.....	47
Lower Roll Bar.....	48
Rear Tires and Wheels.....	49
Steering Arms.....	50
Fuel Caps and OCDC Attachment.....	51
Rubber Mat and Upper Roll Bar.....	52
Engine Guard Upper.....	53

## Section 4 Deck Assembly 50”

Complete 50” Deck Assembly.....	54
Top Plate and Hardware.....	55
Spindles.....	56
Spindle Belt Idler.....	57
Right Baffle.....	58
Left Baffle.....	59
Pulleys Fans Idler Springs.....	60
Belt.....	61
Rollers.....	62
Blades and Hardware.....	63
Left Side Pulley Guard.....	64
Right Side Pulley Guard.....	65
Deck Stabilizer.....	66
Engine to Deck Idler.....	67
Engine to Deck Idler Tensioner Spring.....	68
Complete OCDC.....	69

# Table of Contents

## **Section 5 Deck Assembly 60"**

Complete 60" Deck Assembly.....	70
Top Plate and Hardware.....	71
Spindles.....	72
Spindle Belt Idler.....	73
Right Baffle.....	74
Left Baffle.....	75
Pulleys Fans Idler Springs.....	76
Belt.....	77
Rollers.....	78
Blades and Hardware.....	79
Left Side Pulley Guard.....	80
Right Side Pulley Guard.....	81
Deck Stabilizer.....	82
Engine to Deck Idler.....	83
Engine to Deck Idler Tensioner Spring.....	84
Complete OCDC.....	85

## **Section 6 Engine**

Pulley Stack and Electric Clutch.....	86
Complete Engine and Other Components.....	87

## **Section 7 Electrical**

Wiring Harness.....	88-89
---------------------	-------

## **Section 8 Decals**

Decal Kit and Placement.....	90
------------------------------	----

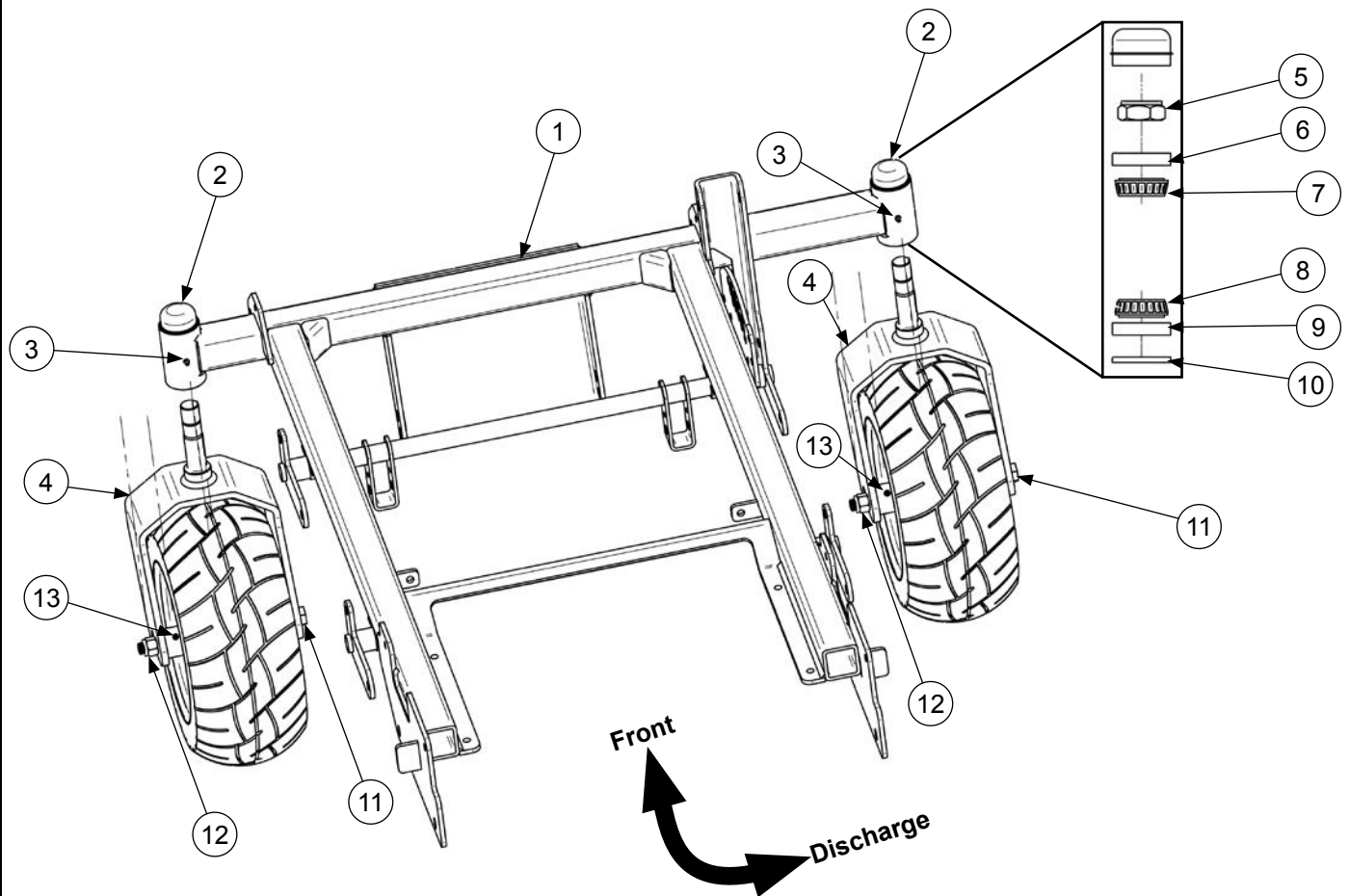
## **Section 9 Notes**

Notes.....	91-93
------------	-------

# Maintenance Parts

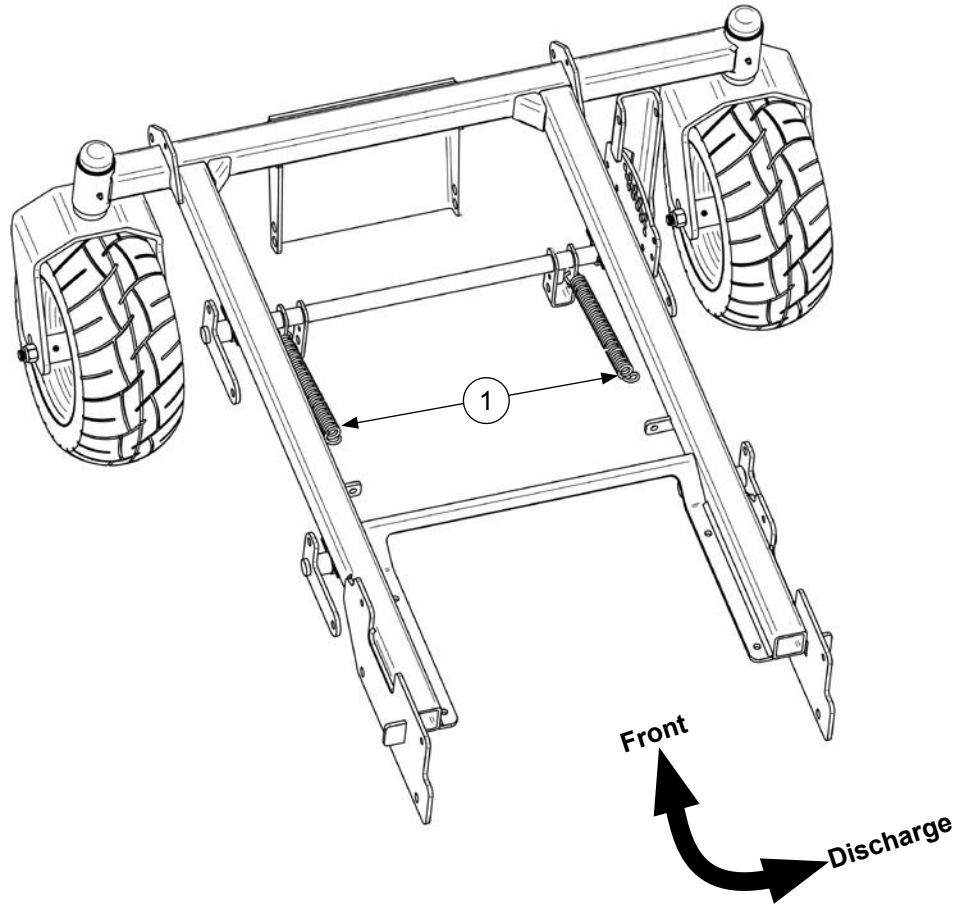
	<b>Classic W</b>	<b>2750 W</b>	<b>2760 W</b>	<b>3360 W</b>
<b>Engine</b>	<b>Spark Plug</b>	900633	900633	900633
	<b>Air Filter Primary</b>	900610	900610	900610
	<b>Air Filter Secondary</b>	900612	900612	900612
	<b>Fuel Filter</b>	900647	900647	900647
	<b>Oil Filter</b>	900464	900464	900464
	<b>Engine Oil</b>	See Engine Manual	See Engine Manual	See Engine Manual
<b>Drive System</b>	<b>Drive System Oil</b> (2 Gallon Capacity)	902327 (1Qt Bottle)	902327 (1Qt Bottle)	902327 (1Qt Bottle)
	<b>Drive System Filter</b>	200364	200364	200364
	<b>Drive System Belt</b>	2006B63R	2006B63R	2006B63R
	<b>Pump LH</b>	200437	200437	200437
	<b>Pump RH</b>	200438	200438	200438
	<b>Wheel Motor LH</b>	200417	200417	200417
	<b>Wheel Motor RH</b>	200416	200416	200416
<b>Deck</b>	<b>Blade Standard X</b> (Factory Equipped)	30227-52X	30227-62X	30227-62X
	<b>Blade Twist</b>	30227-52T	30227-62T	30227-62T
	<b>Spindle Drive Belt</b>	2006B112R	2006B128R	2006B128R
	<b>Engine to Deck Belt</b>	2010B99W	2011B105W	2011B105W
	<b>Anti Scalp Roller</b>	300365	300365	300365
	<b>O.C.D.C. Cable</b>	300776	300776	300776
	<b>Complete Spindle Assembly</b> (Short)	300441	300441	300441
<b>Chassis</b>	<b>Seat</b>	400321	400321	400321
	<b>Fuel Cap</b>	400885	400885	400885
	<b>Throttle Cable Assembly</b>	400586	400586	400586
	<b>Choke Cable Assembly</b>	600072	600072	600072
	<b>Front Tire Assembly</b>	Tire - 400234 Rim - N/A Assembly - 400439 Bearing Kit - 900339	Tire - 400234 Rim - N/A Assembly - 400439 Bearing Kit - 900339	Tire - 400234 Rim - N/A Assembly - 400439 Bearing Kit - 900339
	<b>Rear Tire Assembly</b>	Tire - 400744 Rim - 400745 Assembly - 400743	Tire - 400747 Rim - 400748 Assembly - 400746	Tire - 400747 Rim - 400748 Assembly - 400746

# Front Tires Forks and Bearings



REF	PART#	DESCRIPTION	Qty
1	100387	WELD - FRONT FRAME BLACK	1
2	10220	Cap - Dust Fork Front	2
3	F-100	3/16 Drive in Grease Fitting	2
4	100397	Weld- Fork Front Two Hole Blk	2
5	N-183	Nut - 3/8"-16 Whiz	2
6	10206	Bearing - Race Front Fork	2
7	10207	Bearing - Upper Front Fork	2
8	97171	Bearing - Bottom Fork 1.0625" L44649	2
9	10206	Bearing - Race Front Fork	2
10	10208	Seal - Front Fork CR14840	2
11	B-235	Bolt - 5/8-11X9 HHCS PT Gr.5 Zinc	2
12	N-115	Nut - 5/8 - 11 Nyloc	2
13	F-100	3/16 Drive in Grease Fitting	2
14	400439	Assembly - Wheel Front Large 4-Bearing 2	2

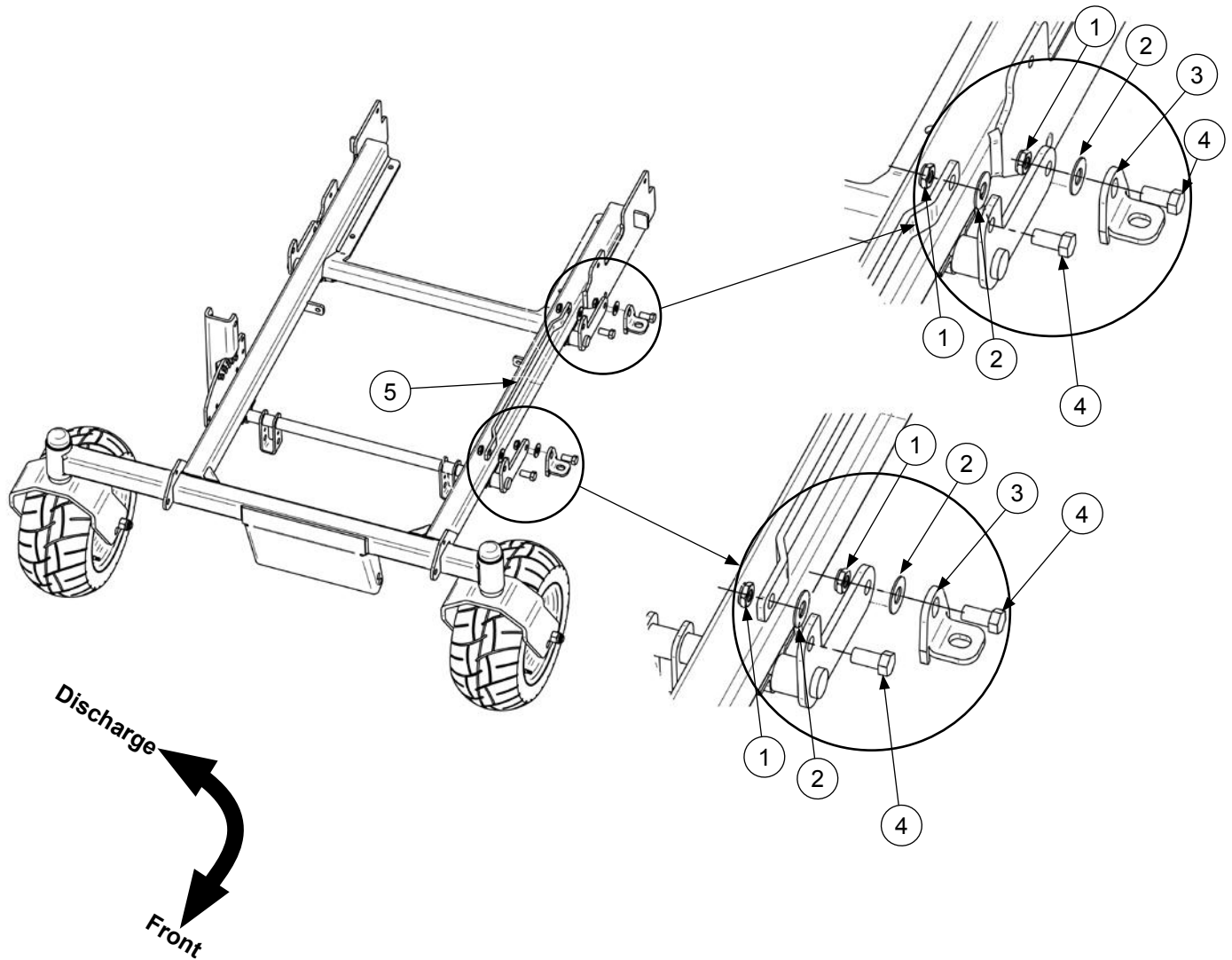
# Deck Assist Springs



REF	PART#	DESCRIPTION	Qty
1	900100	Spring - External .165	2

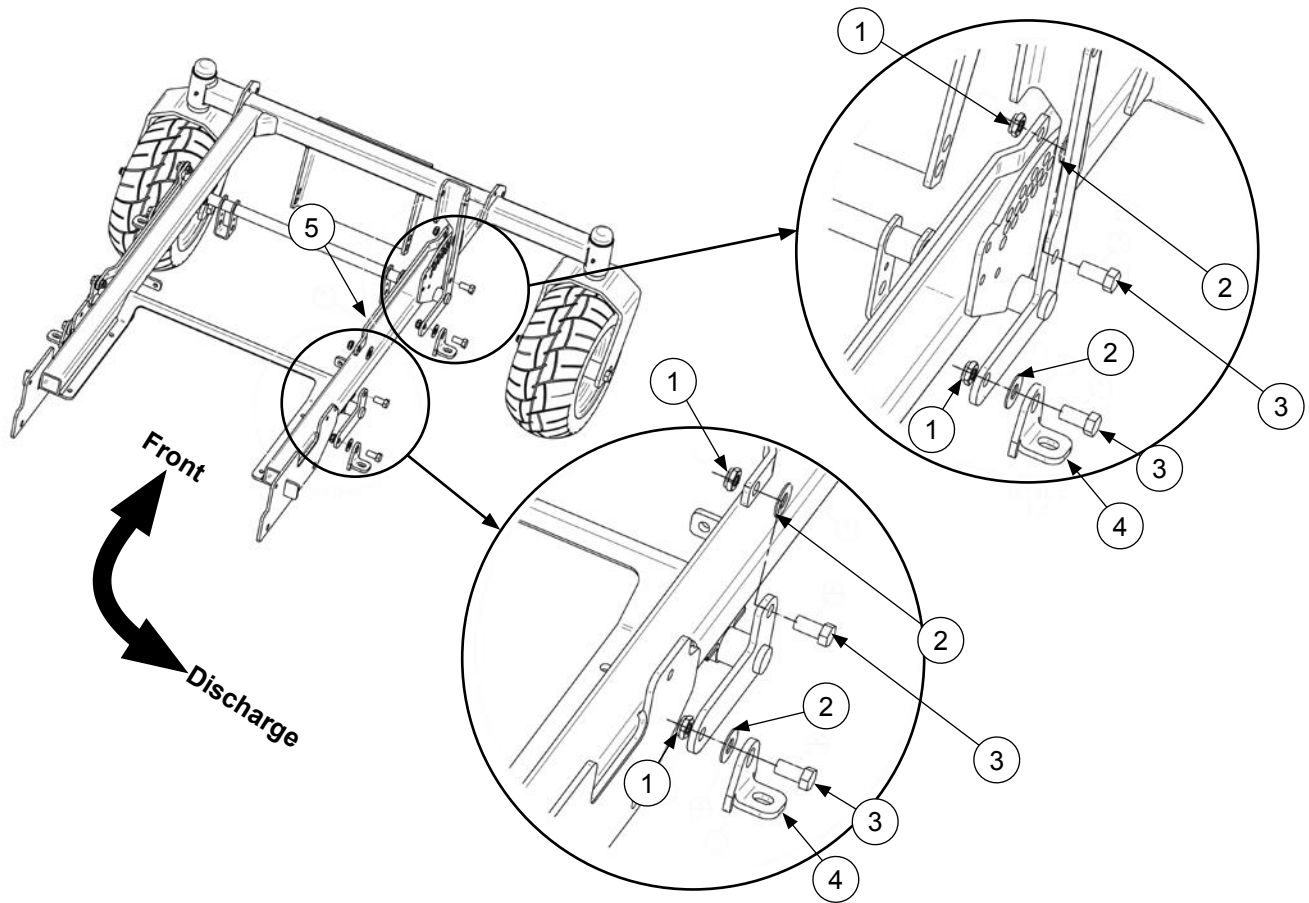


# Left Hand Upper Deck Lift Brackets



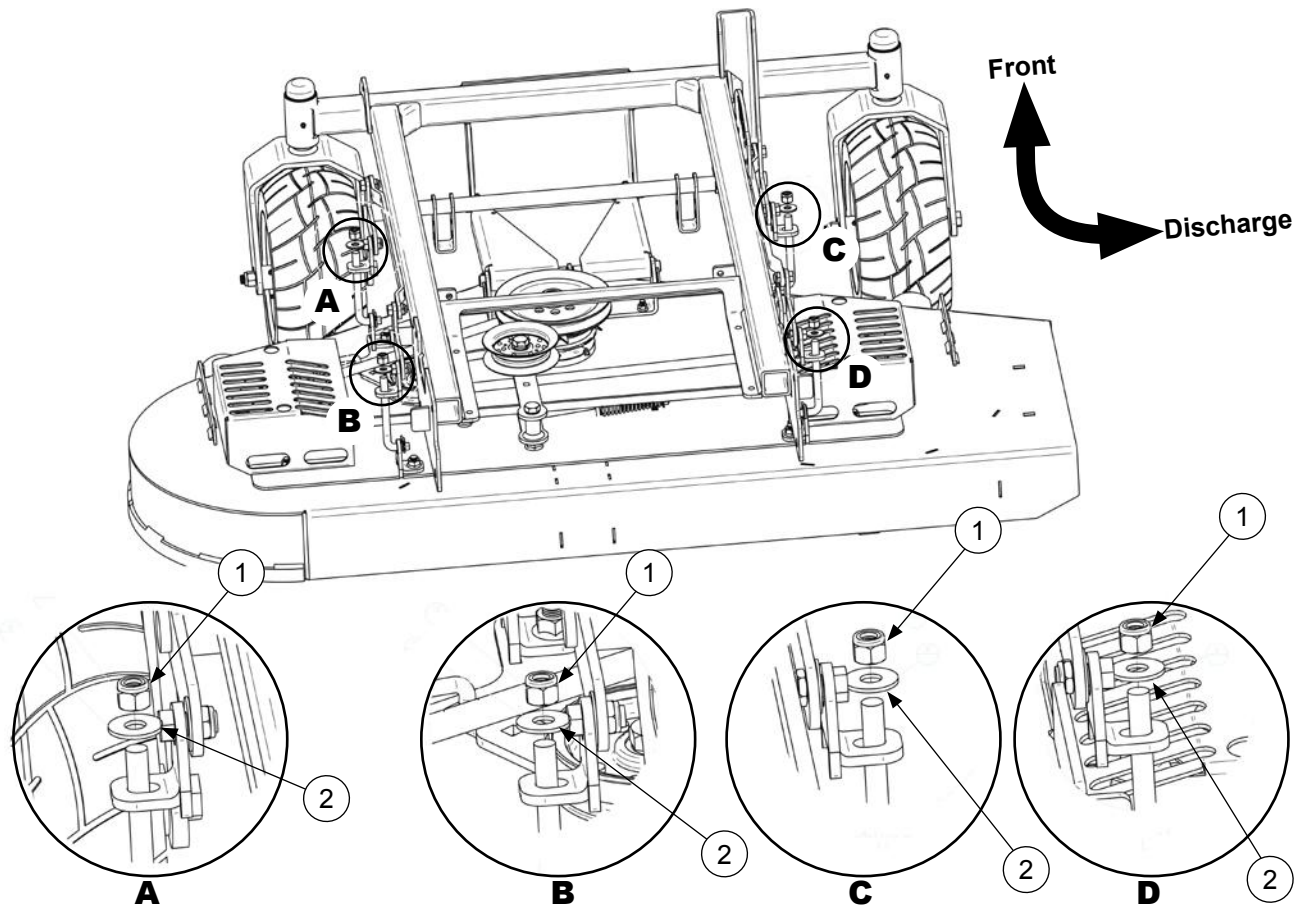
REF	PART#	DESCRIPTION	Qty
1	N-126	Nut - 1/2 - 13 Nyloc Jam	4
2	W-139	Washer - 1/2ID x 1-1/4OD Nylon	4
3	300703	Bracket - Deck Lift Black	2
4	B-138	Bolt - 1/2-13X1 HHCS FT Gr.5 Zinc	4
5	100428	Arm-Deck Lift Black	1

# Right Hand Upper Deck Lift Brackets



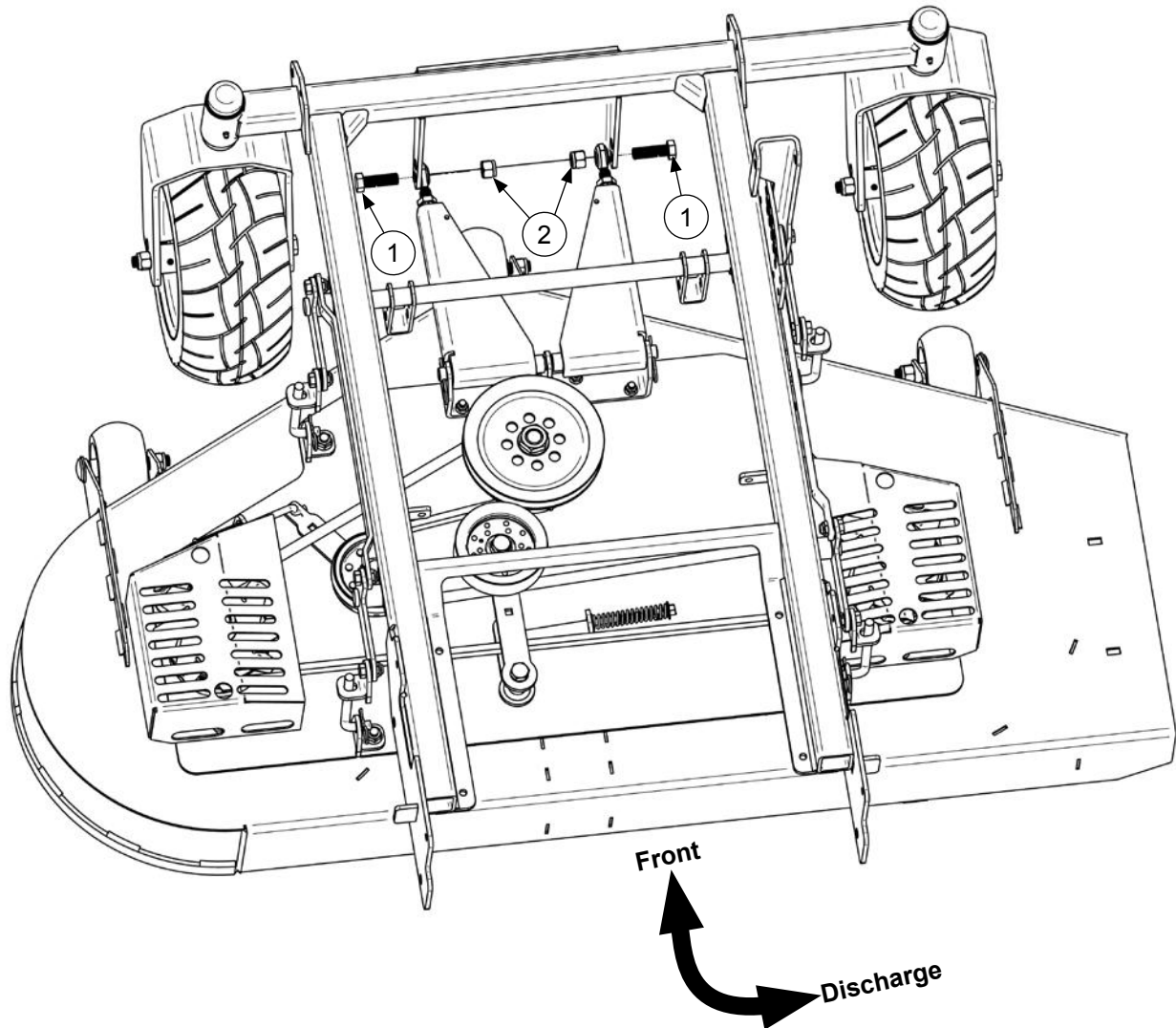
REF	PART#	DESCRIPTION	Qty
1	N-126	Nut - 1/2 - 13 Nyloc Jam	4
2	W-139	Washer - 1/2ID x 1-1/4OD Nylon	4
3	B-138	Bolt - 1/2-13X1 HHCS FT Gr.5 Zinc	4
4	300703	Bracket - Deck Lift Black	2
5	100428	Arm-Deck Lift Black	1

# Deck Lift Rods and Hardware



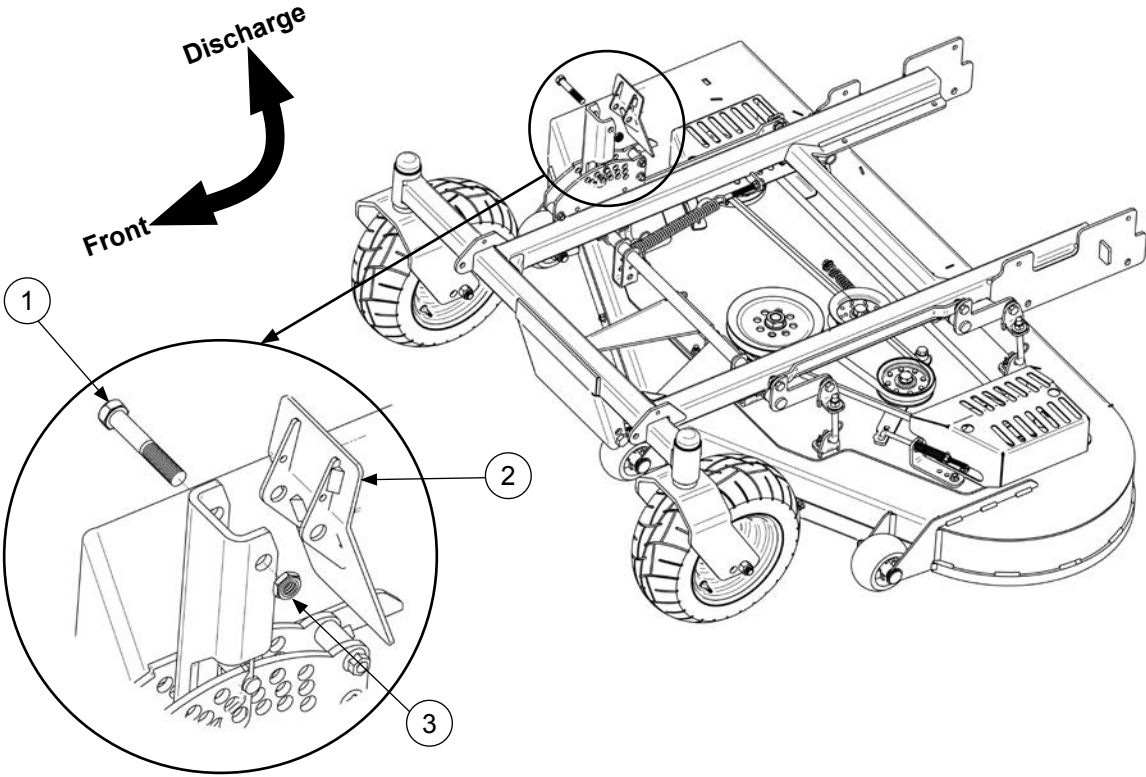
REF	PART#	DESCRIPTION	Qty
1	N-143	Nut - 1/2 - 13 Nyloc	4
2	W-109	Washer - 1/2 Flat	4

# Deck Stabilizer Attachment



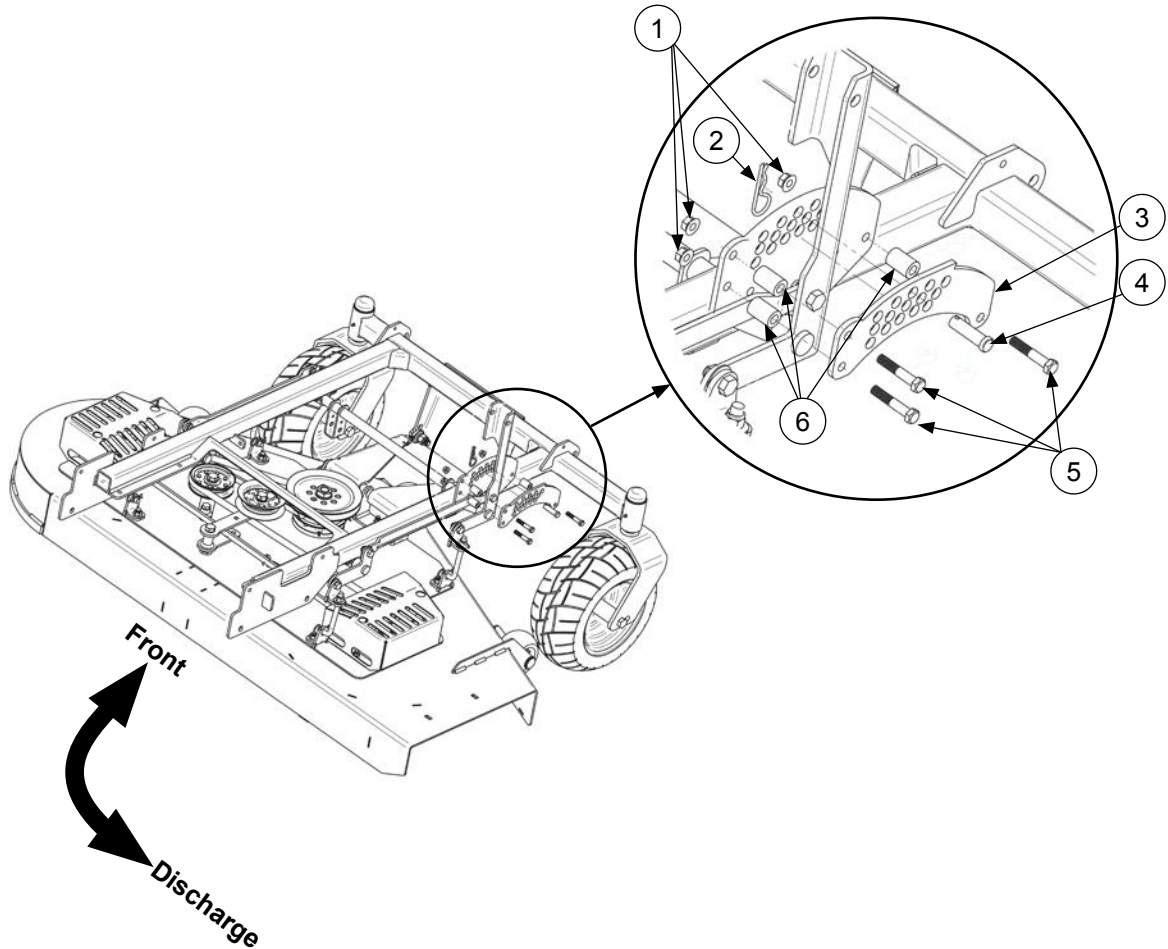
REF	PART#	DESCRIPTION	Qty
1	B-185	Bolt - 5/8-11X2 HHCS FT Gr.5	2
2	N-115	Nut - 5/8 - 11 Nyloc	2

# Foot Pedal



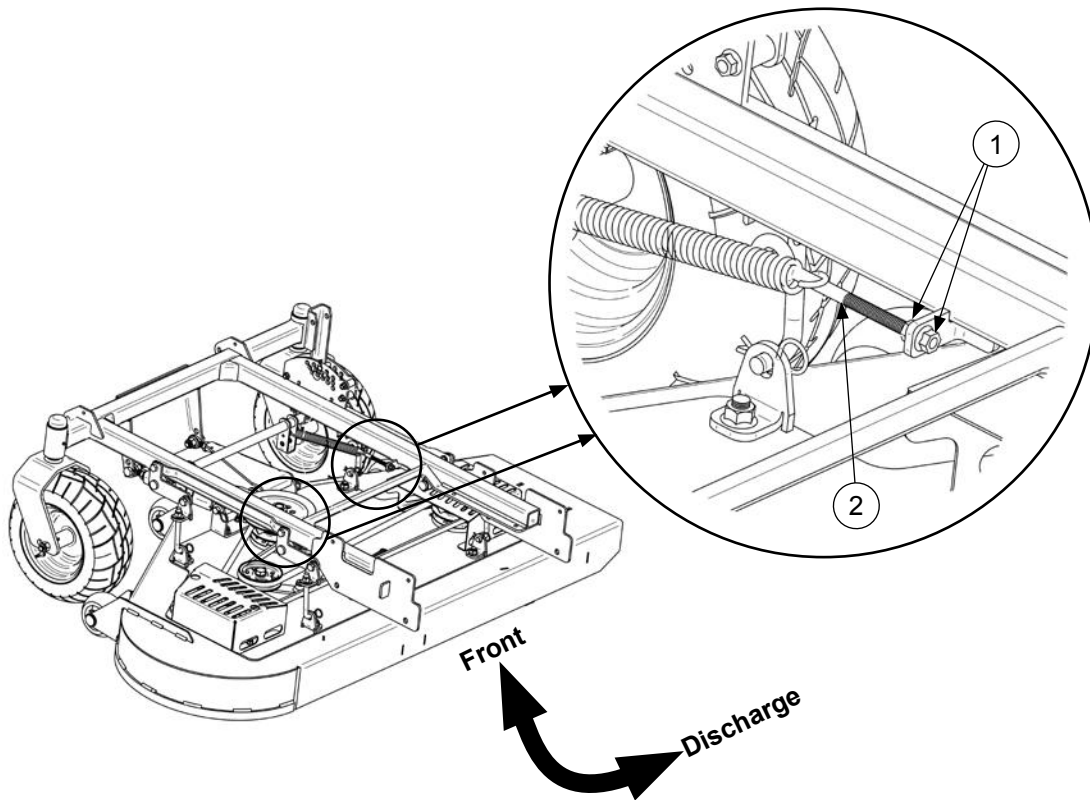
REF	PART#	DESCRIPTION	Qty
1	B-119	Bolt - 1/2-13X3 HHCS PT Gr.5 Zinc	1
2	300478	Weldment - Pad Pedal Foot Pedal	1
3	N-126	Nut - 1/2 - 13 Nyloc Jam	1

# Deck Height Selector Plate



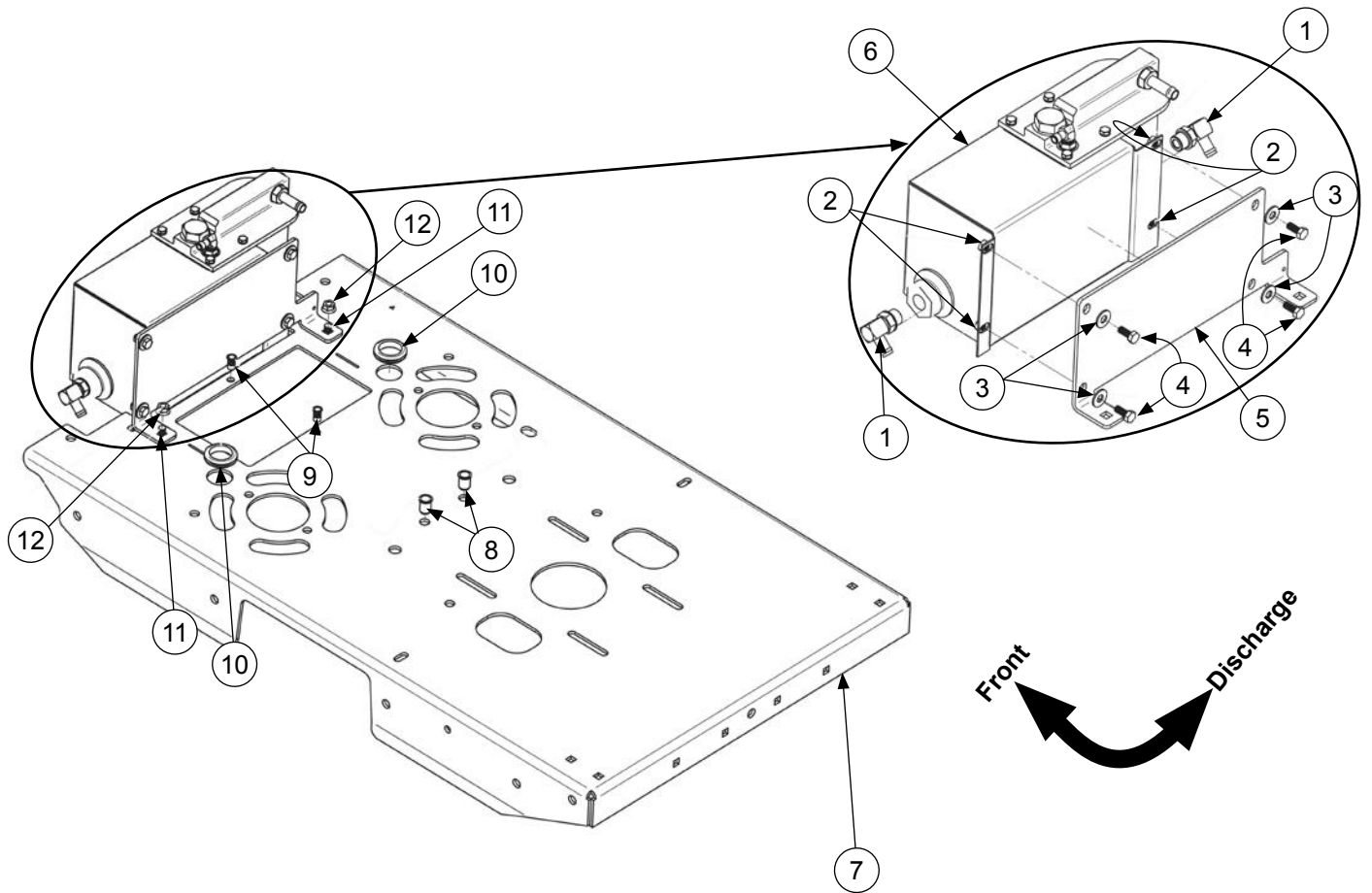
REF	PART#	DESCRIPTION	Qty
1	N-108	Nut - 3/8"-16 Whiz	3
2	30213	Clip - Pin Hair #27	1
3	100404	Plate-Selector Outer Deck Lift	1
4	P-125	Pin - 1/2 X 2 Clevis Zinc	1
5	B-165	Bolt - 3/8-16X2 HHCS PT Gr.5 Zinc	3
6	300476	Spacer - Adjustment Height	3

# Deck Assist Spring Attachment



REF	PART#	DESCRIPTION	Qty
1	N-108	Nut - 3/8"-16 Whiz	4
2	B-241	Bolt - 3/8-16X5 Eye	2

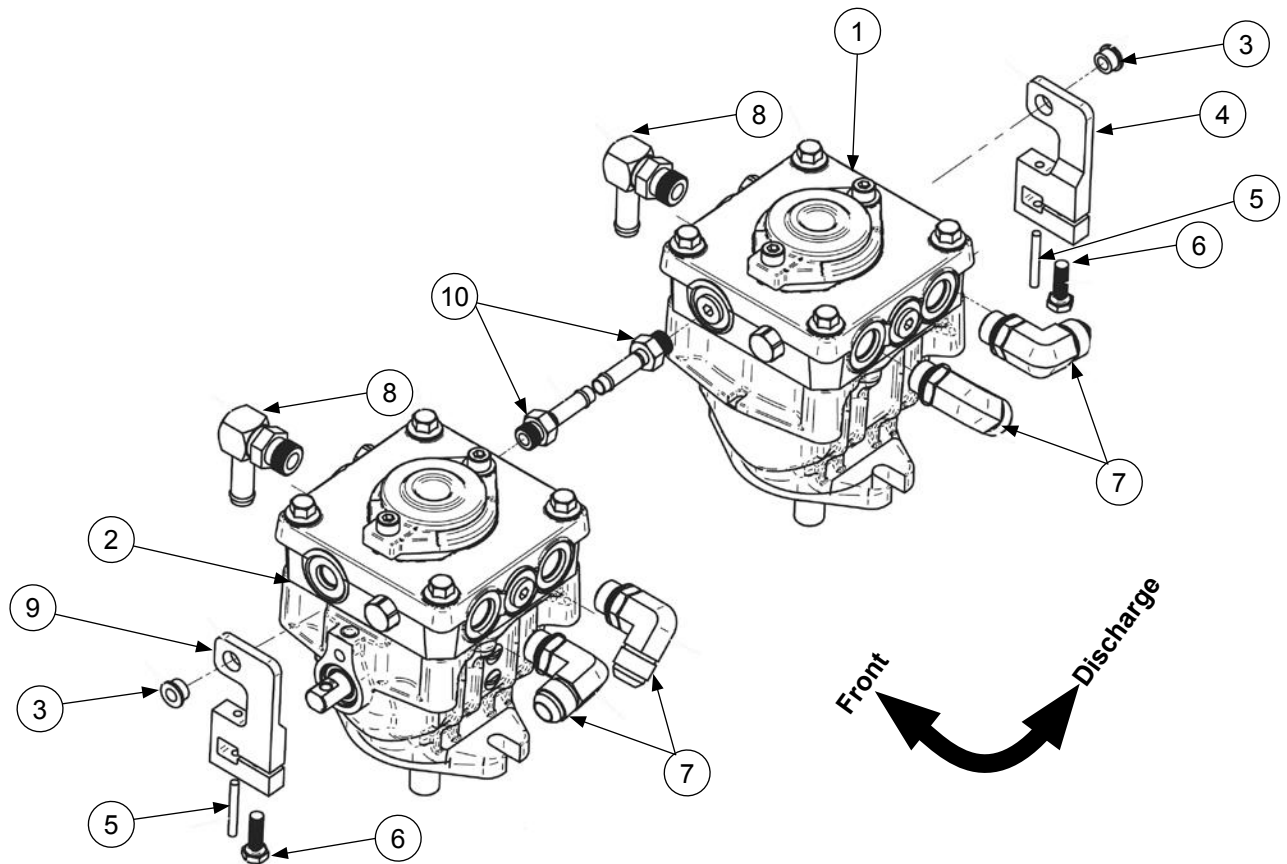
# Rear Pod and Hydraulic Tank



REF	PART#	DESCRIPTION	Qty
1	72017	Fitting - 90 1/2 x 1/2 w/4-Port	2
2	N-103	Nut - 5/16 - 18 HHCS	4
3	W-113	Washer - 5/16 Flat	4
4	B-107	Bolt - 5/16-18X3/4 HHCS FT Gr.5 Zinc	4
5	200468	Bracket-Reservoir Mounting Black	1
6	200485	Tank-Oil Hydraulic Aluminum Steel Combo	1
7	100415	Weld-Bracket Engine Black	1
8	N-153	Nut - 5/16 - 18 Nut Insert	2
9	20222	Bushing - Nylon .312 ID	2
10	400124	Grommet - Rubber f/LT	2
11	B-110	Bolt - 3/8-16X3/4 CARR FT Gr.5 Zinc	2
12	N-108	Nut - 3/8"-16 Whiz	2

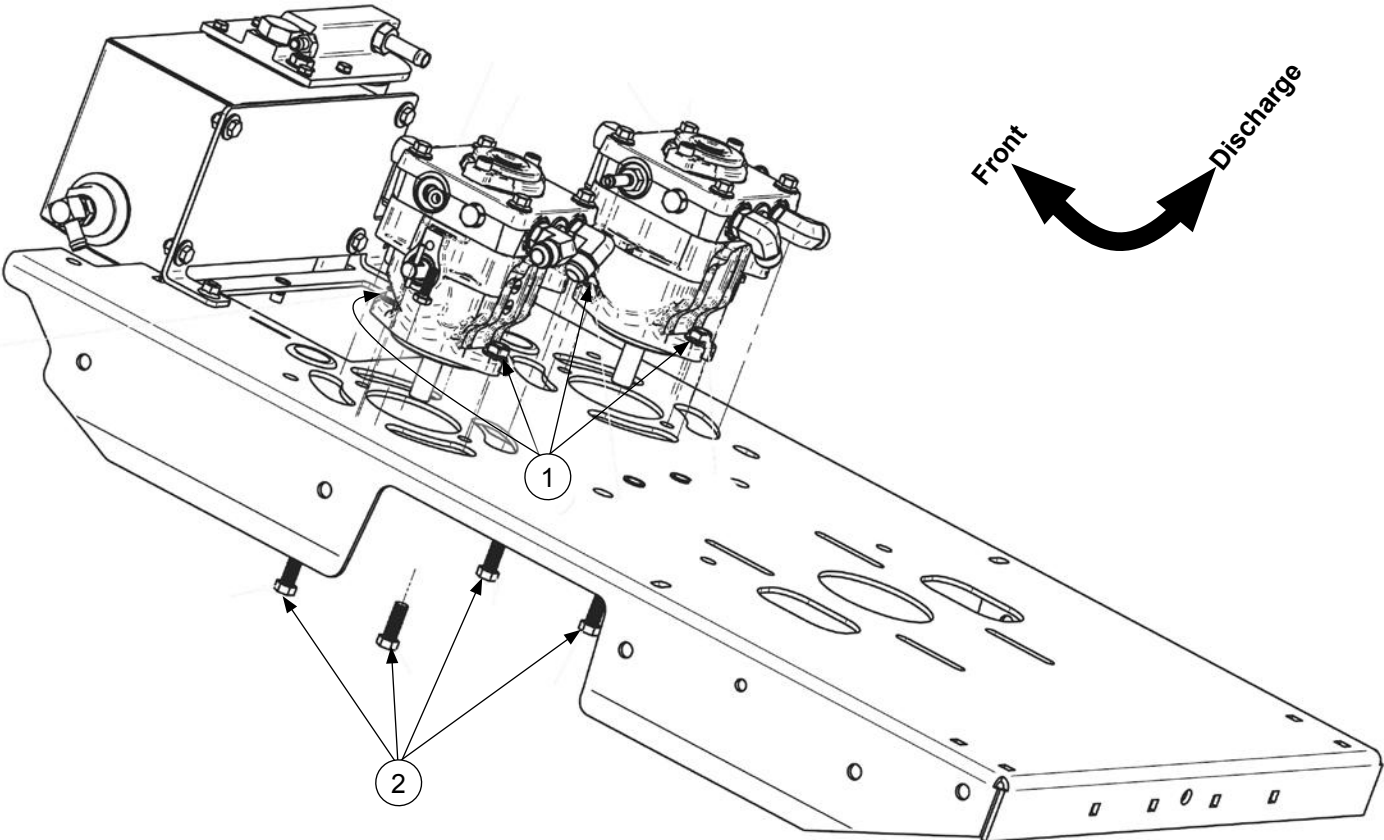


# Hydraulic Pumps and Fittings



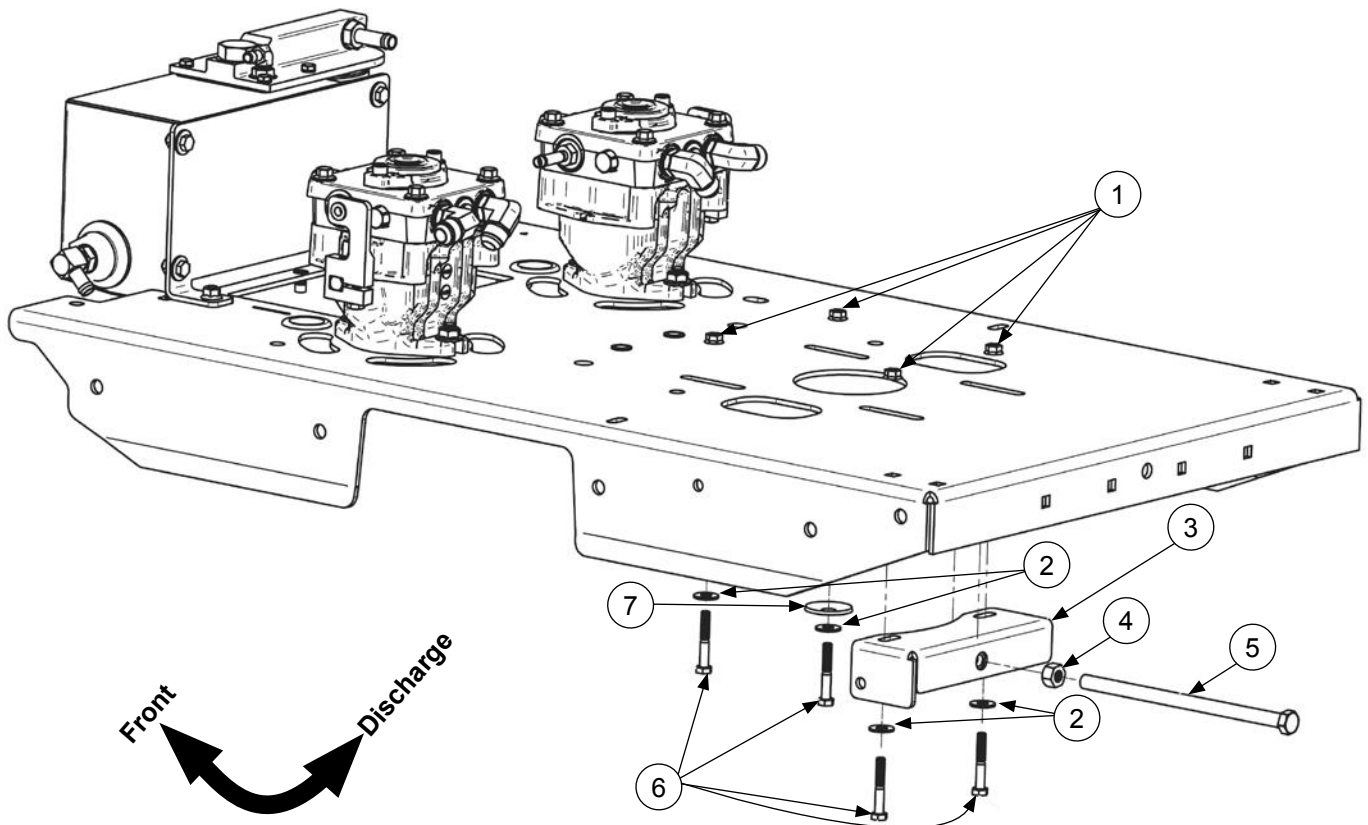
REF	PART#	DESCRIPTION	Qty
1	200438	Pump-Hydraulic 16CC Str Shaft RH	1
2	200437	Pump-Hydraulic 16CC Str Shaft LH	1
3	20222	Bushing - Nylon .312 ID	2
4	200448	Arm-Pump Control Right Zinc	1
5	P-118	Pin - 3/16 X 1-1/2 Roll Zinc	2
6	B-131	Bolt - 5/16-18X1 HHCS FT Gr.5 Zinc	2
7	200477	Fitting-1/2 ORB x 5/8 MJIC 90	4
8	72017	Fitting - 90 1/2 x 1/2 w/4-Port	2
9	200449	Arm-Pump Control Left Zinc	1
10	65072	Fitting - 3/8 O-Ring - 3/8 Bead	2

# Hydraulic Pump Attachment



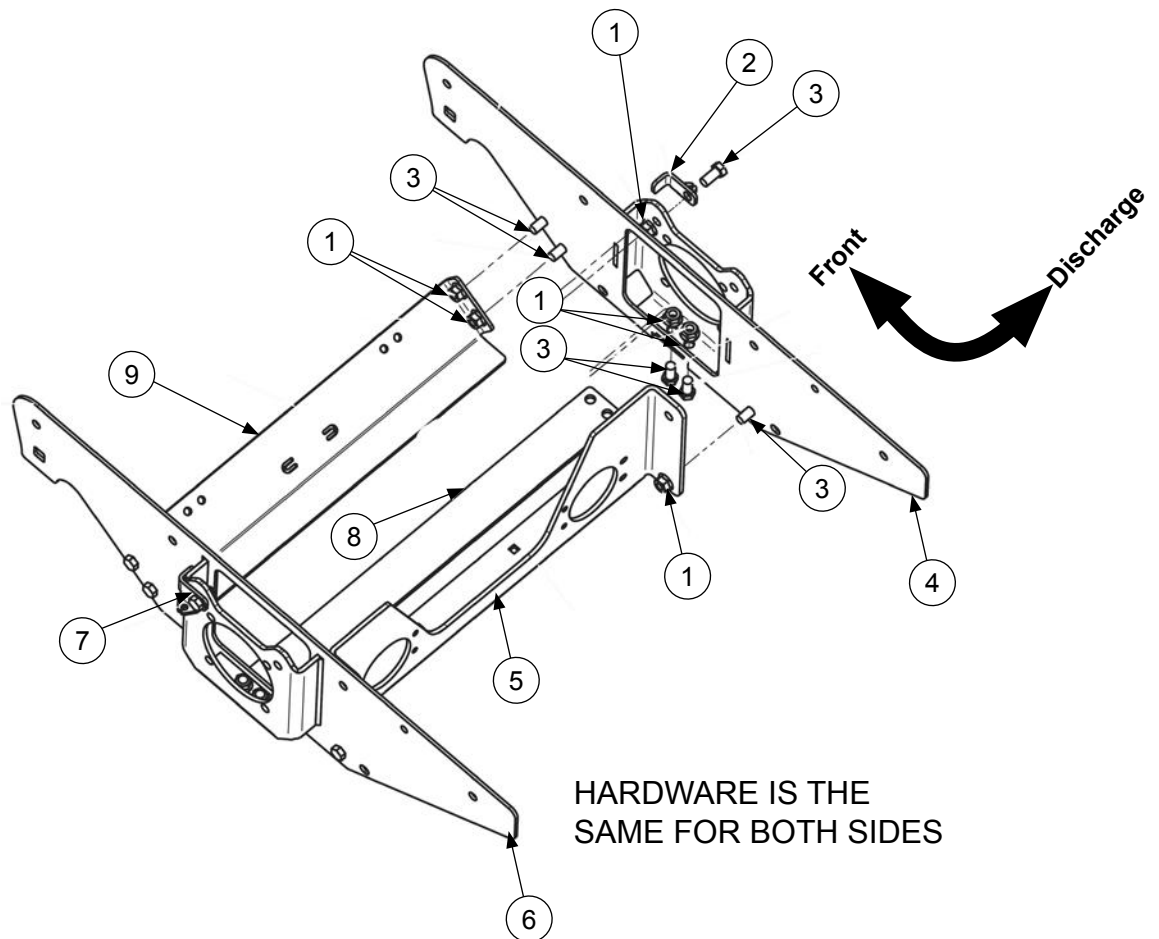
REF	PART#	DESCRIPTION	Qty
1	N-154	Nut - 7/16 - 14 Whiz	1
2	B-153	Bolt - 7/16-14X1-1/4 HHCS FT Gr.5 Zinc	1

# Engine Pull Back



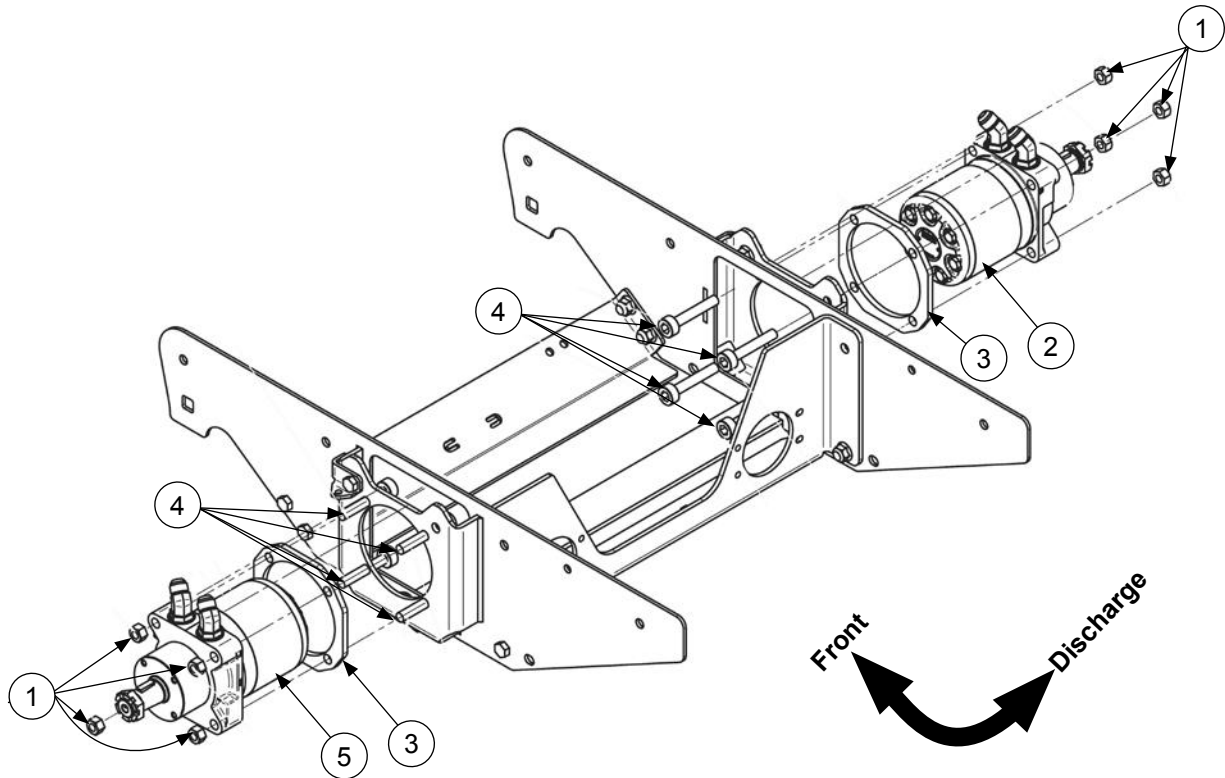
REF	PART#	DESCRIPTION	Qty
1	N-103-W	Nut - 5/16 - 18 Whiz	4
2	W-113	Washer - 5/16 Flat	4
3	600129	Weldment - Angle Back Pull Motor Xcalibe	1
4	N-110	Nut - 1/2 - 13 HHCS	1
5	B-357	Bolt-1/2-13X9 HHCS Gr.2 4"PT Zinc	1
6	B-156	Bolt - 5/16-18X2 HHCS PT Gr.5 Zinc	3
7	W-158	Washer - 1/2ID x 1-5/8OD Tooth Bellville	1

# Wheel Motor Cradle



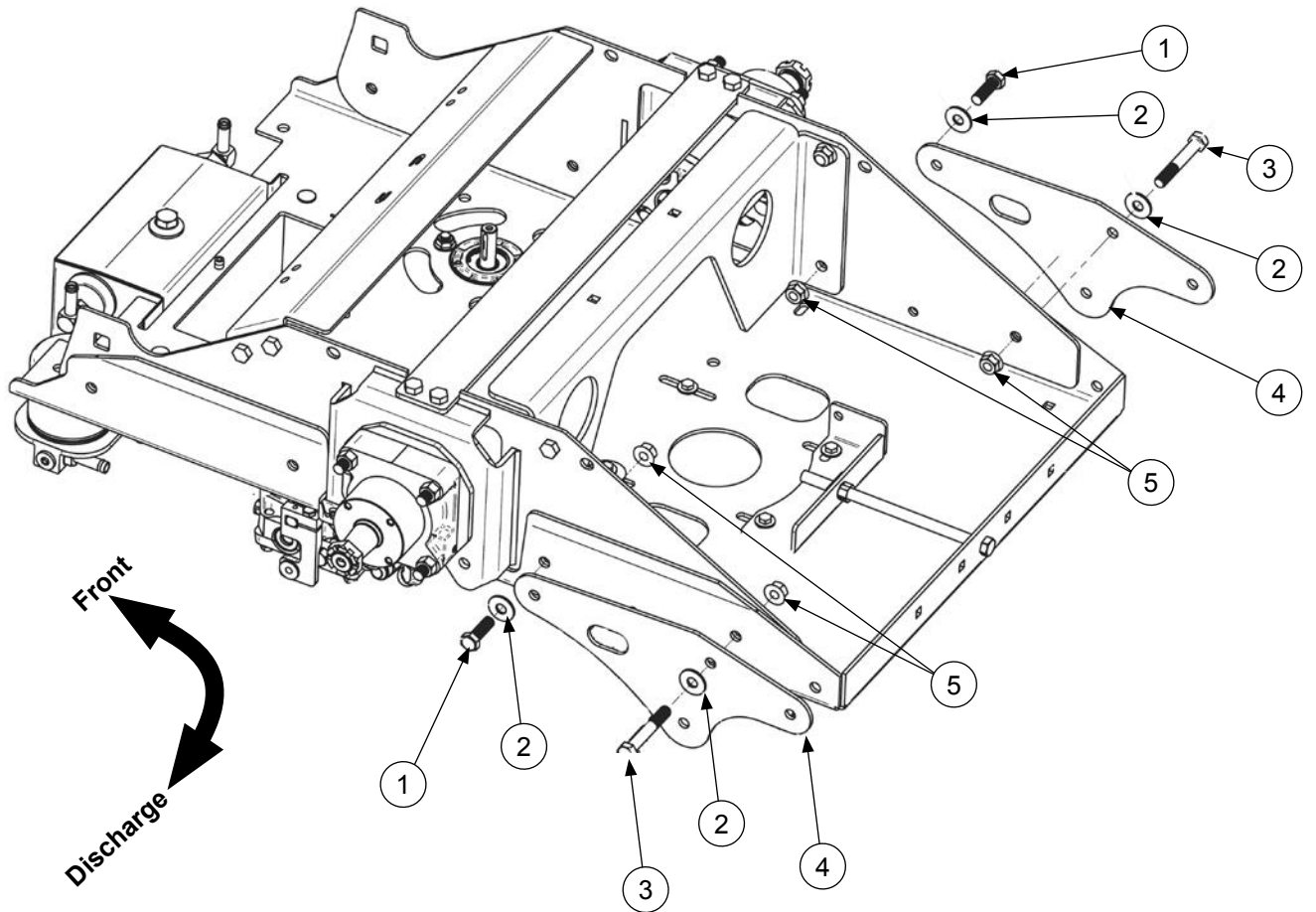
REF	PART#	DESCRIPTION	Qty
1	N-157	Nut - 1/2"-13 Whiz	12
2	200404	Bracket-Brake Cable RH Black	1
3	B-138	Bolt - 1/2-13X1 HHCS FT Gr.5 Zinc	12
4	100426	Weld-Wing Plate RH Black	1
5	100384	Bracket-Frame Crossmember Black	1
6	100423	Weld-Wing Plate LH Black	1
7	200403	Bracket-Brake Cable LH Black	1
8	100443	Plate-Crossmember Black	1
9	100383	Bracket-Frame Crossmember Black	1

# Wheel Motor Mounting



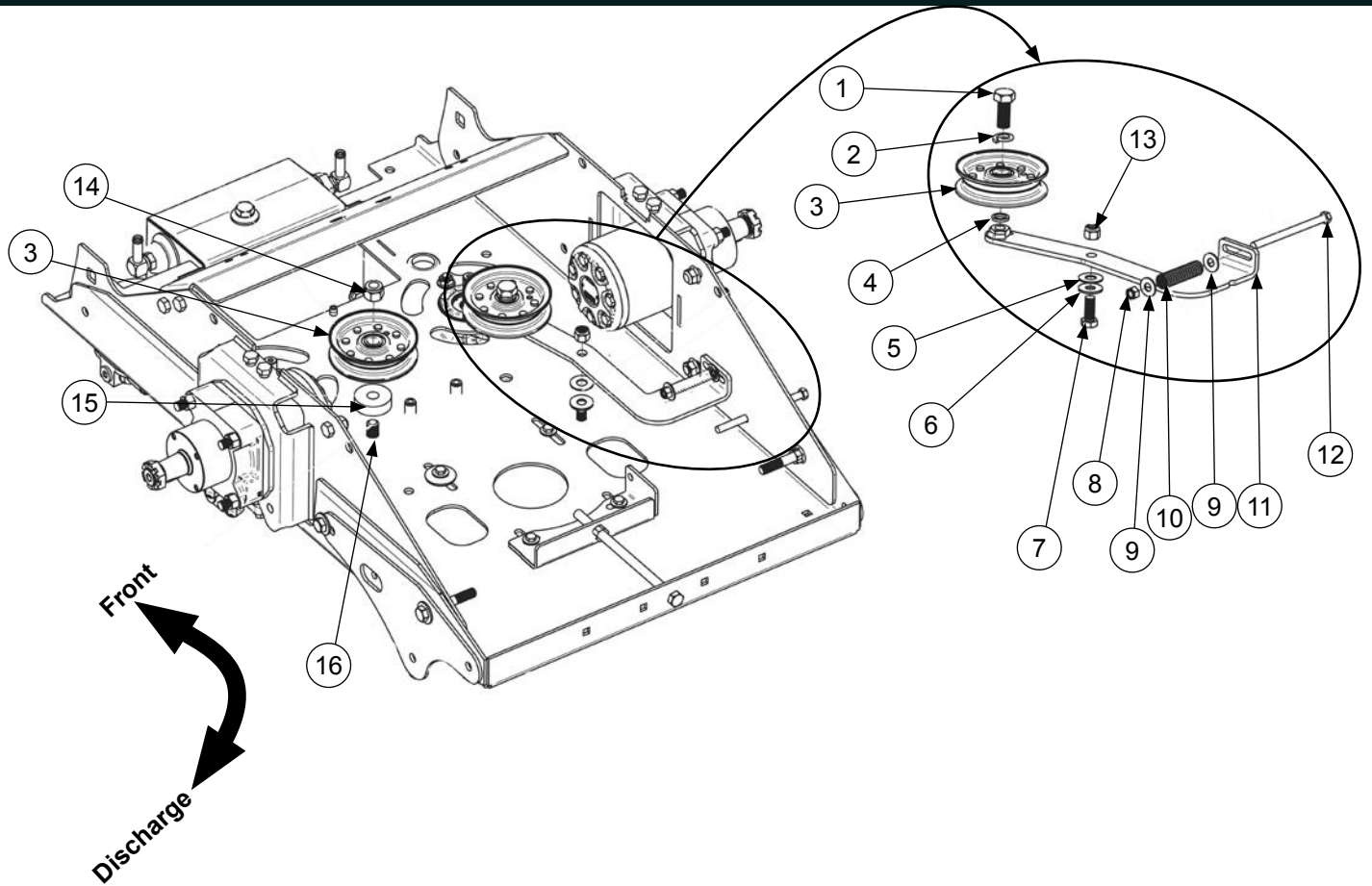
REF	PART#	DESCRIPTION	Qty
1	N-146	Nut - 1/2 - 13 Stover Lock	8
2	200416	Wheel Motor-DG310 RH	1
3	100446	Plate-Space Wheel Motor Black	2
4	B-284	Bolt - 1/2-13X3 SHCS	8
5	200417	Wheel Motor-DG310 LH	1

# Rear Pod Wing Plates



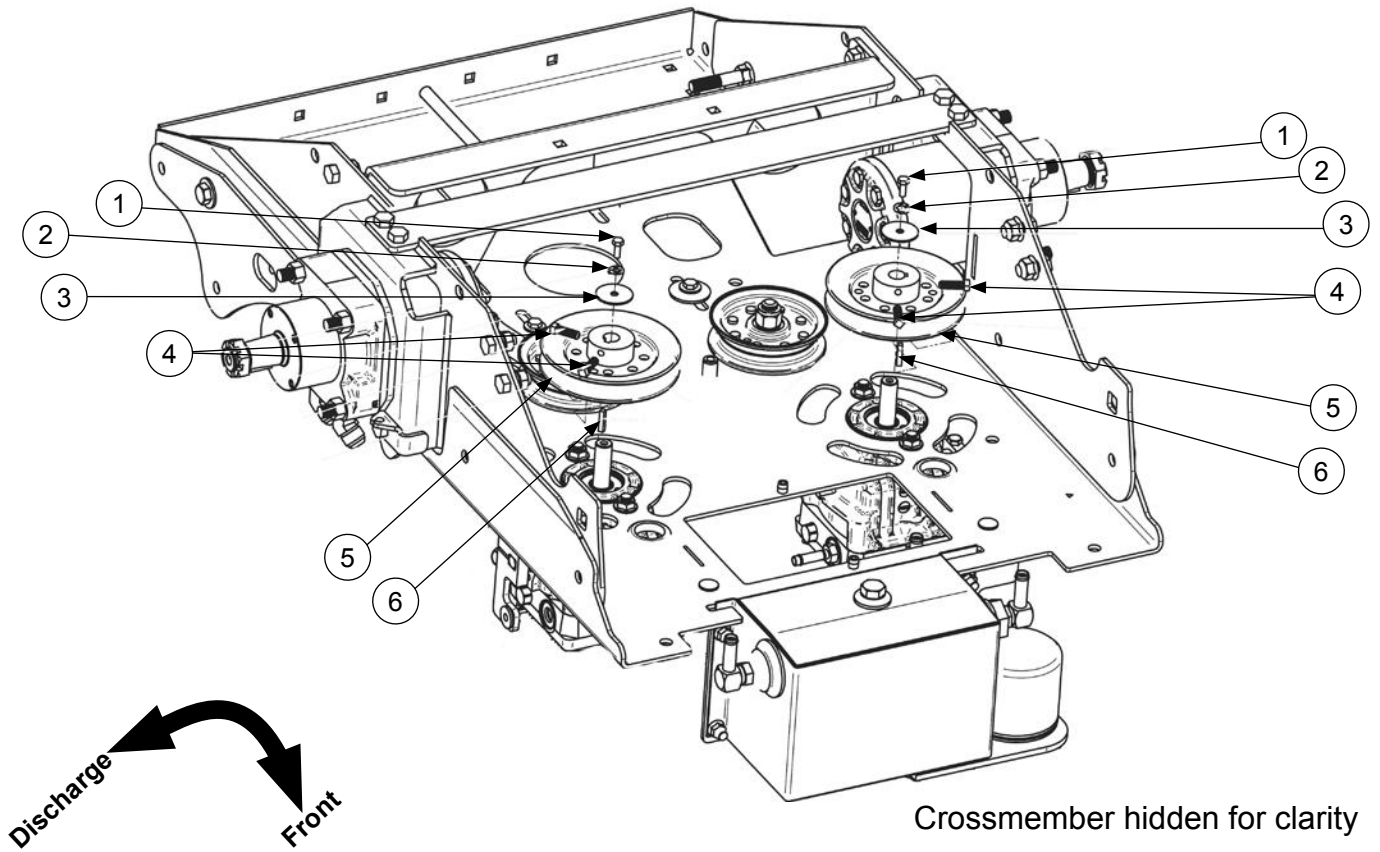
REF	PART#	DESCRIPTION	Qty
1	B-123	Bolt - 1/2-13X1-1/2 HHCS FT Gr.5 Zinc	2
2	W-109	Washer - 1/2 Flat	4
3	B-348	Bolt - 1/2-13X3-1/4 HHCS PT Gr.5 Zinc	2
4	902193	Asm-Bar Roll	2
5	N-157	Nut - 1/2"-13 Whiz	4

# Drivetrain Idlers



REF	PART#	DESCRIPTION	Qty
1	B-264	Bolt - 5/8-11X1-1/2 HHCS FT Gr.5 Zinc	1
2	W-111	Washer - 5/8 Lock	1
3	30224	Pulley - Flat Idler	2
4	W-111	Washer - 5/8 Lock	1
5	W-139	Washer - 1/2ID x 1-1/4OD Nylon	1
6	W-109	Washer - 1/2 Flat	1
7	B-117	Bolt - 1/2-13X1-1/4 HHCS FT Gr.5 Zinc	1
8	N-107	Nut-3/8"-16 Nyloc	1
9	W-104	Washer - 3/8 Flat	2
10	68280	Spring - Twin 20LB (COM.)	1
11	200469	Weld-Arm Idler Black	1
12	B-163	3/8-16 x 5 1/2 HHCS PT GR.5 Zinc	1
13	N-143	Nut - 1/2 - 13 Nyloc	1
14	N-115	Nut - 5/8 - 11 Nyloc	1
15	600095	Spacer - 5/8" id x 2.0" od Idler Engine	1
16	B-181	Bolt - 5/8-11X2-1/2 HHCS PT Gr.5 Zinc	1

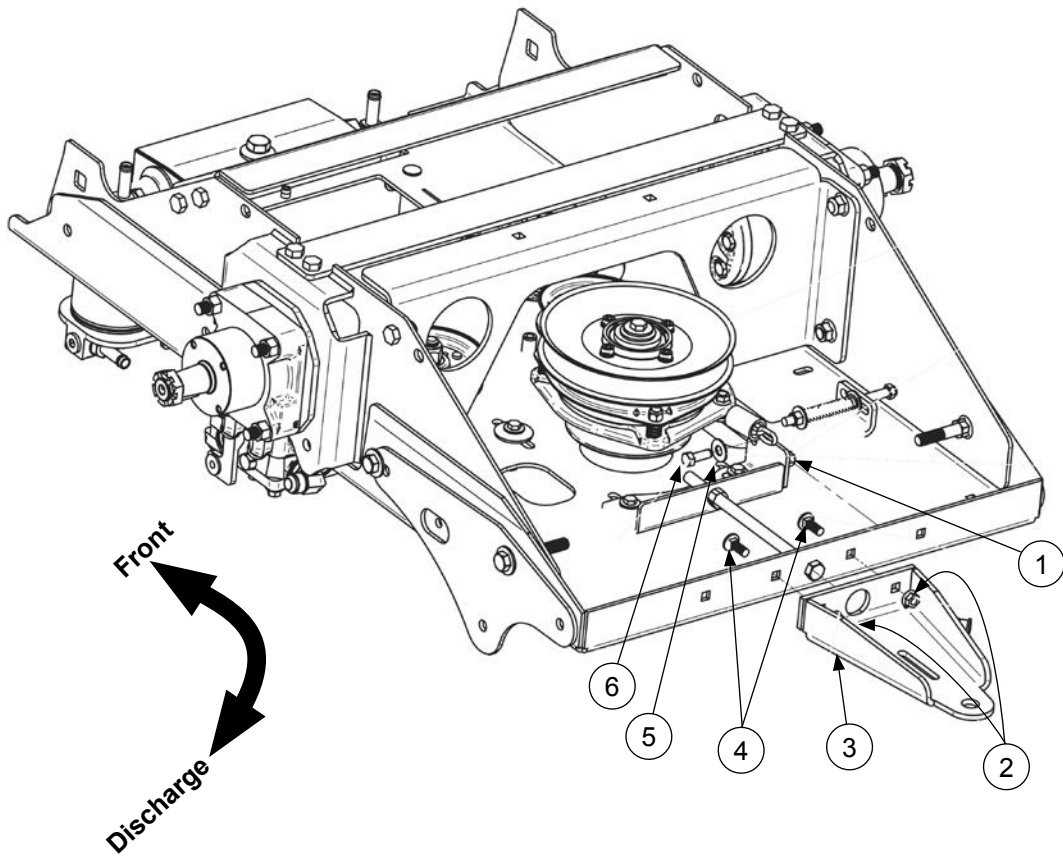
# Pump Pulleys



REF	PART#	DESCRIPTION	Qty
1	B-269	Bolt - M6X1.00X16 HHCS FT Zinc	2
2	W-179	Washer - M6 Lock	2
3	W-134	Washer - 1/4 Fender	2
4	S-108	Screw - 5/16-18 x 1 Square Set Screw	4
5	200455	Pulley - 5.25" OD x 17mm Bore	2
6	K-112	Key - M5 X M25 Square	2

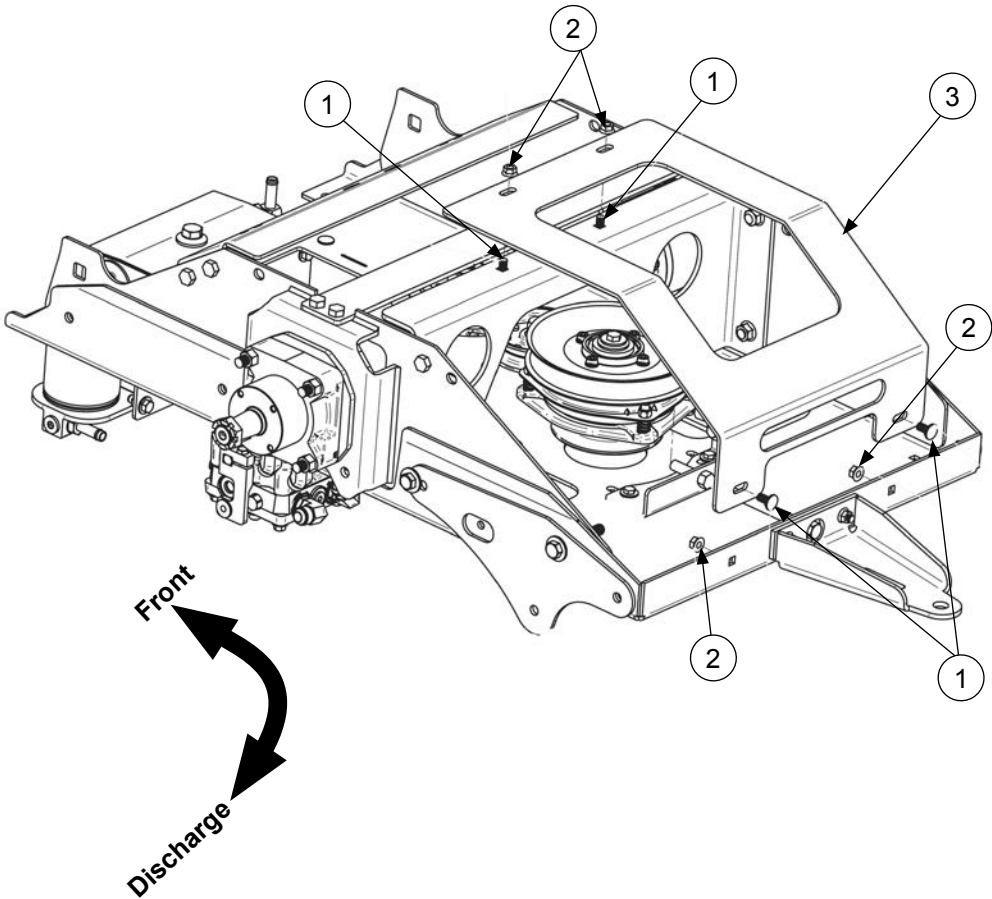


# Clutch Stop and Hitch



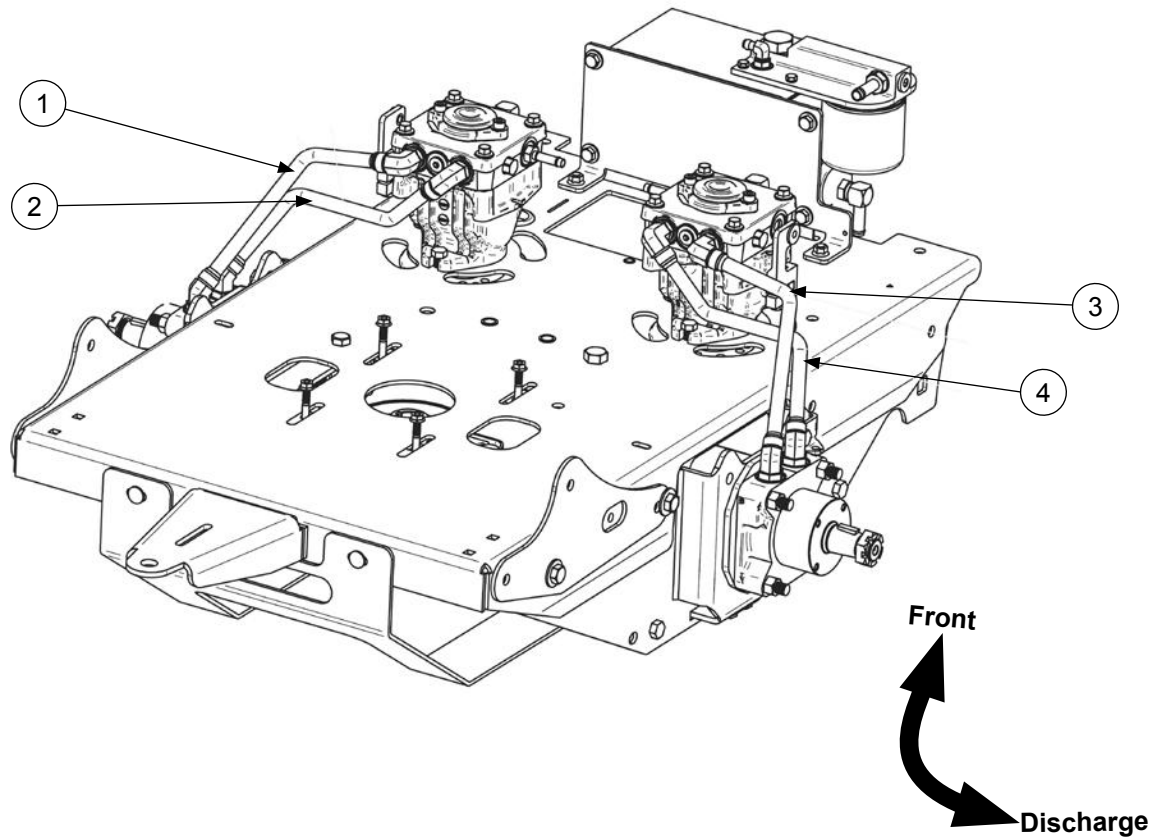
REF	PART#	DESCRIPTION	Qty
1	N-107	Nut-3/8"-16 Nyloc	1
2	N-108	Nut - 3/8"-16 Whiz	2
3	400704	Bracket-Hitch Black	1
4	B-135	Bolt - 3/8-16X1 CARR FT Gr.5 Zinc	2
5	W-104	Washer - 3/8 Flat	1
6	B-108	Bolt - 3/8-16X1 HHCS FT Gr.5 Zinc	1

# Wheelie Bar and Skid Plate



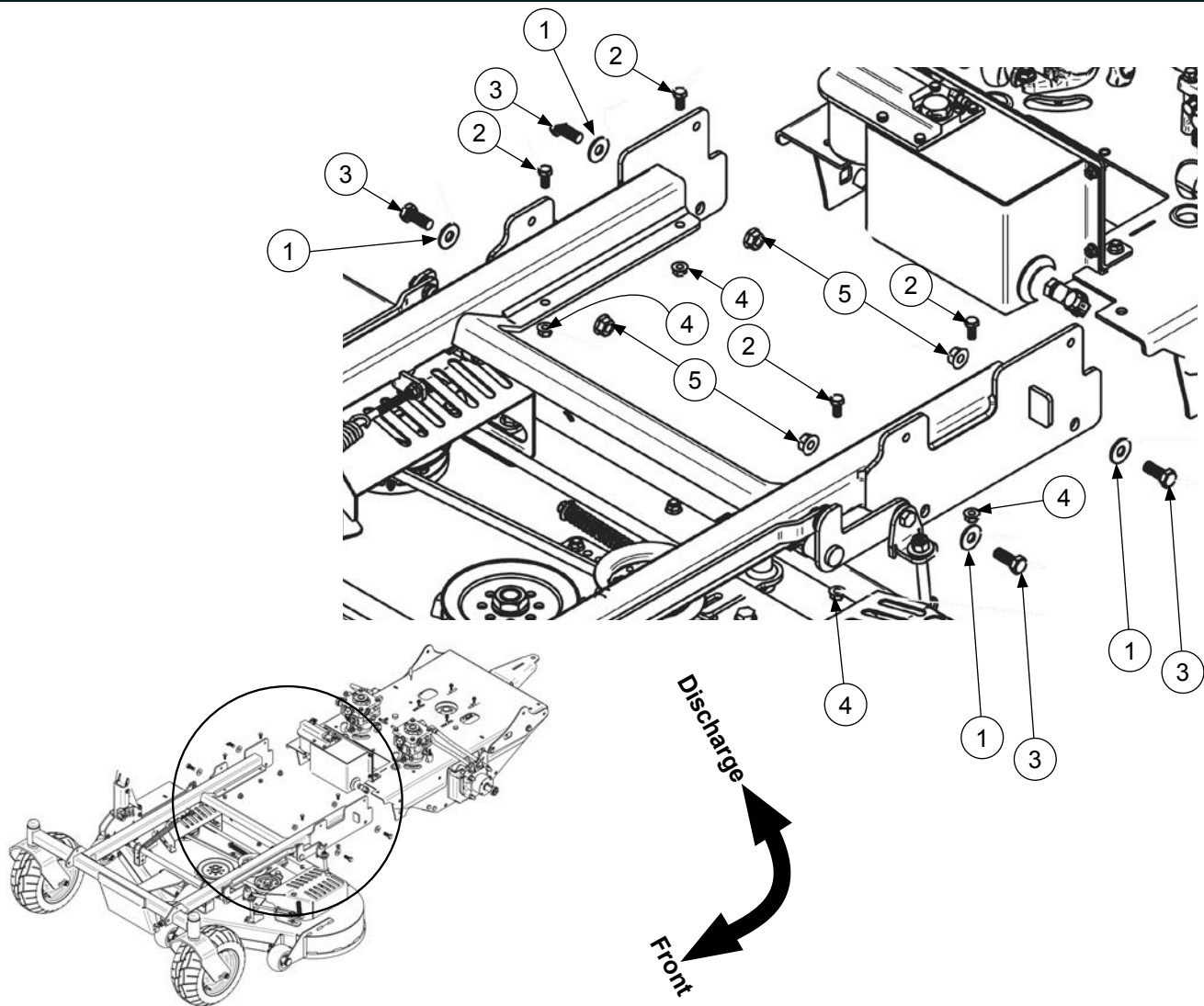
REF	PART#	DESCRIPTION	Qty
1	B-110	Bolt - 3/8-16X3/4 CARR FT Gr.5 Zinc	4
2	N-108	Nut - 3/8"-16 Whiz	4
3	100432	Bracket-Wheelie Bar Black	1

# Pump Hoses and Routing



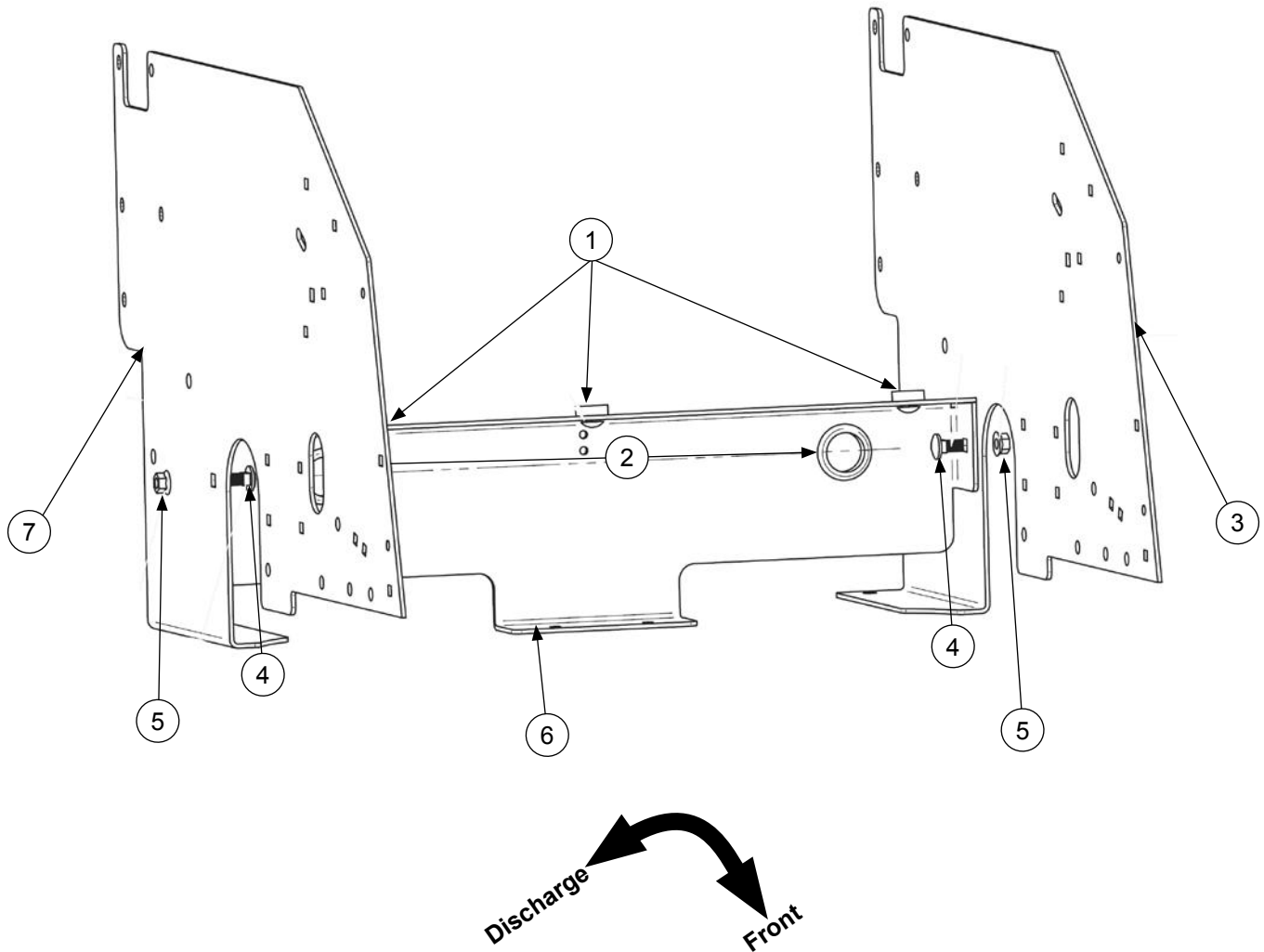
REF	PART#	DESCRIPTION	Qty
1	200475	Tube-Steel Outboard to Rear LH	1
2	200473	Tube-Steel Inboard to Front LH	1
3	200476	Tube-Steel Outboard to Rear RH	1
4	200474	Tube-Steel Inboard to Front RH	1

# Coupling Front and Rear Chassis



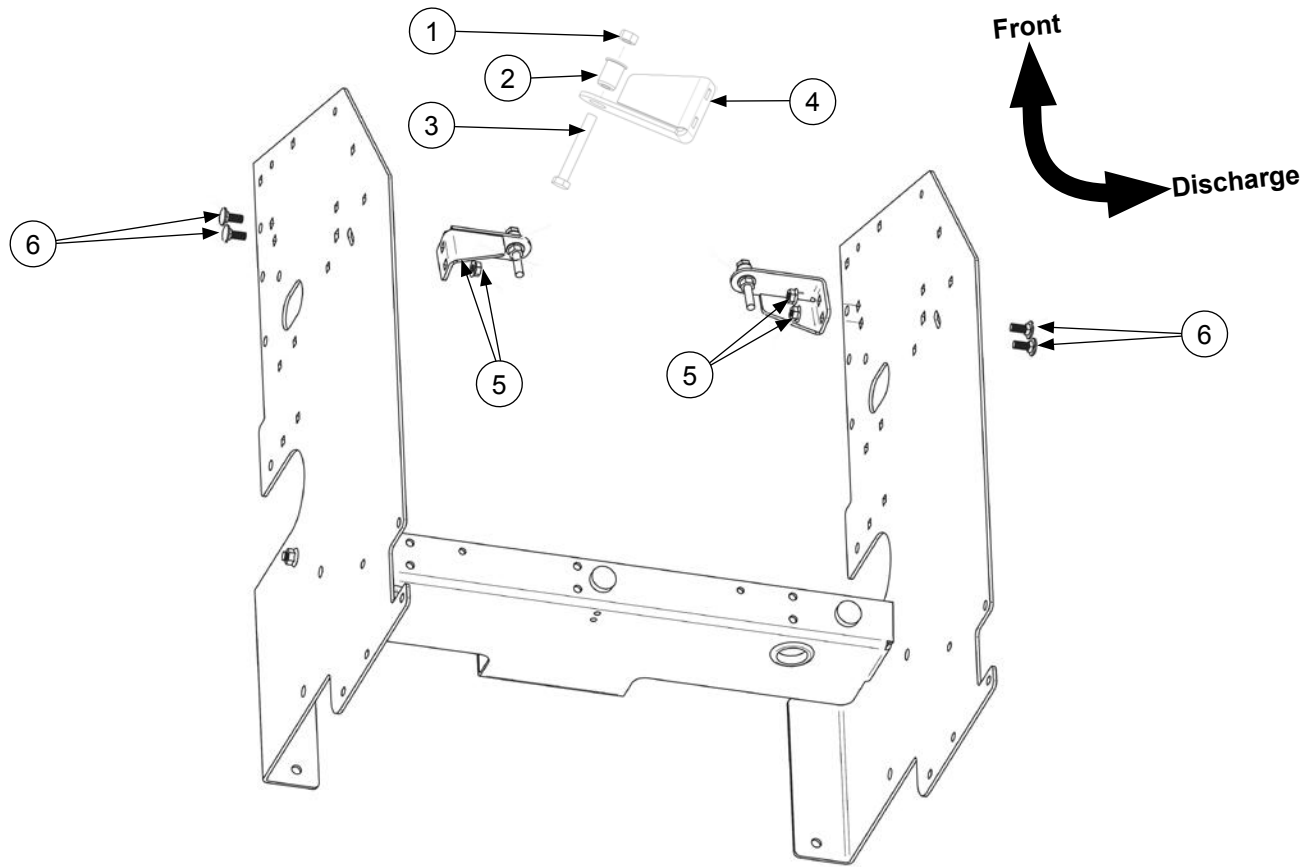
REF	PART#	DESCRIPTION	Qty
1	W-109	Washer - 1/2 Flat	4
2	B-137	Bolt - 3/8-16X3/4 HHCS FT Gr.5 Zinc	4
3	B-117	Bolt - 1/2-13X1-1/4 HHCS FT Gr.5 Zinc	4
4	N-108	Nut - 3/8"-16 Whiz	4
5	N-157	Nut - 1/2"-13 Whiz	4

# Inner Fenders and Cross Members



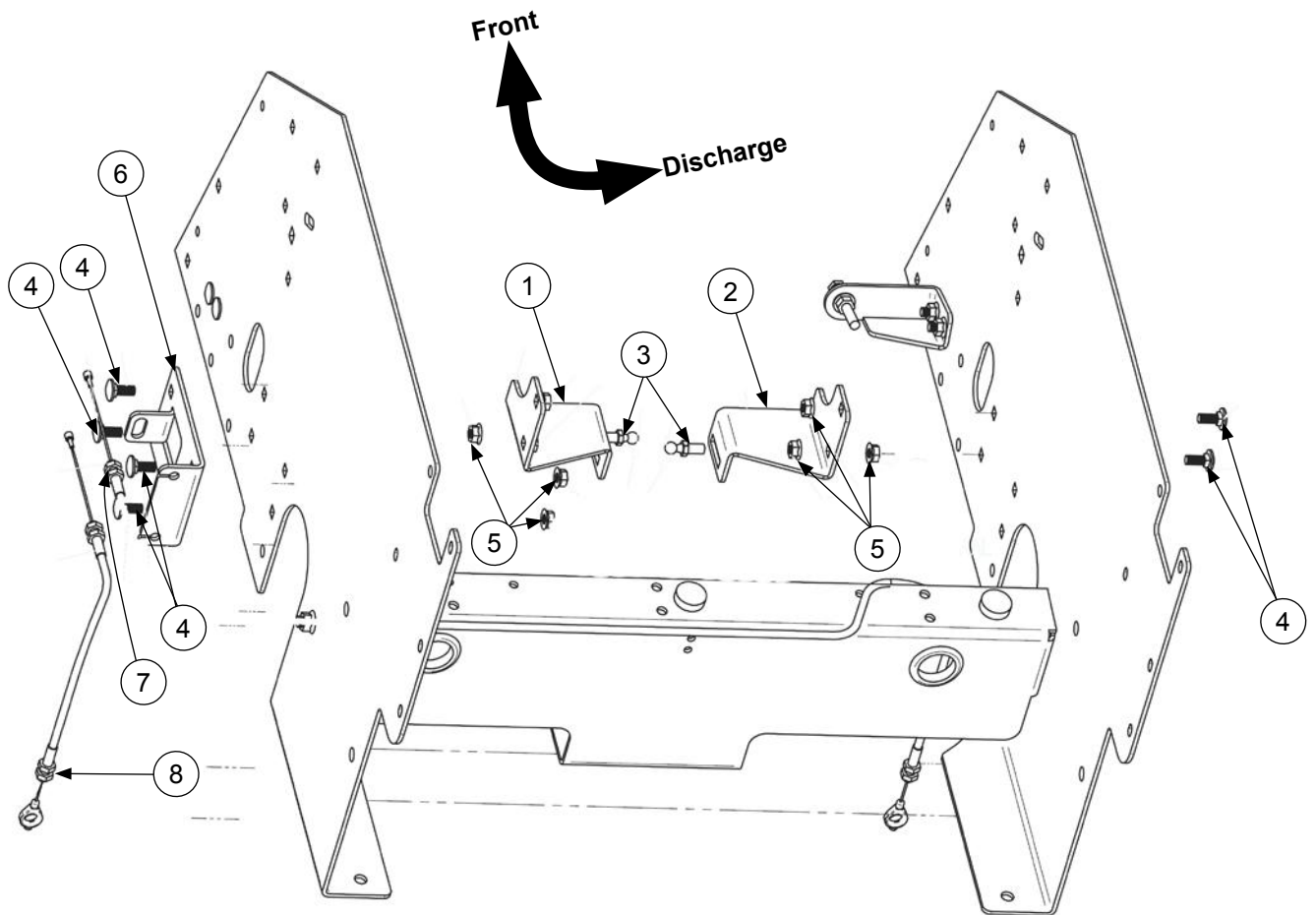
REF	PART#	DESCRIPTION	Qty
1	900068	Pad - Rubber Pad for Silver Eagle	3
2	400124	Grommet - Rubber f/LT	2
3	400717	Bracket-Inner Fender LH Black	1
4	B-110	Bolt - 3/8-16X3/4 CARR FT Gr.5 Zinc	2
5	N-108	Nut - 3/8"-16 Whiz	2
6	400783	Bracket-Crossmember Seat Pan Black	1
7	400716	Bracket-Inner Fender RH Black	1

# Steering Stops



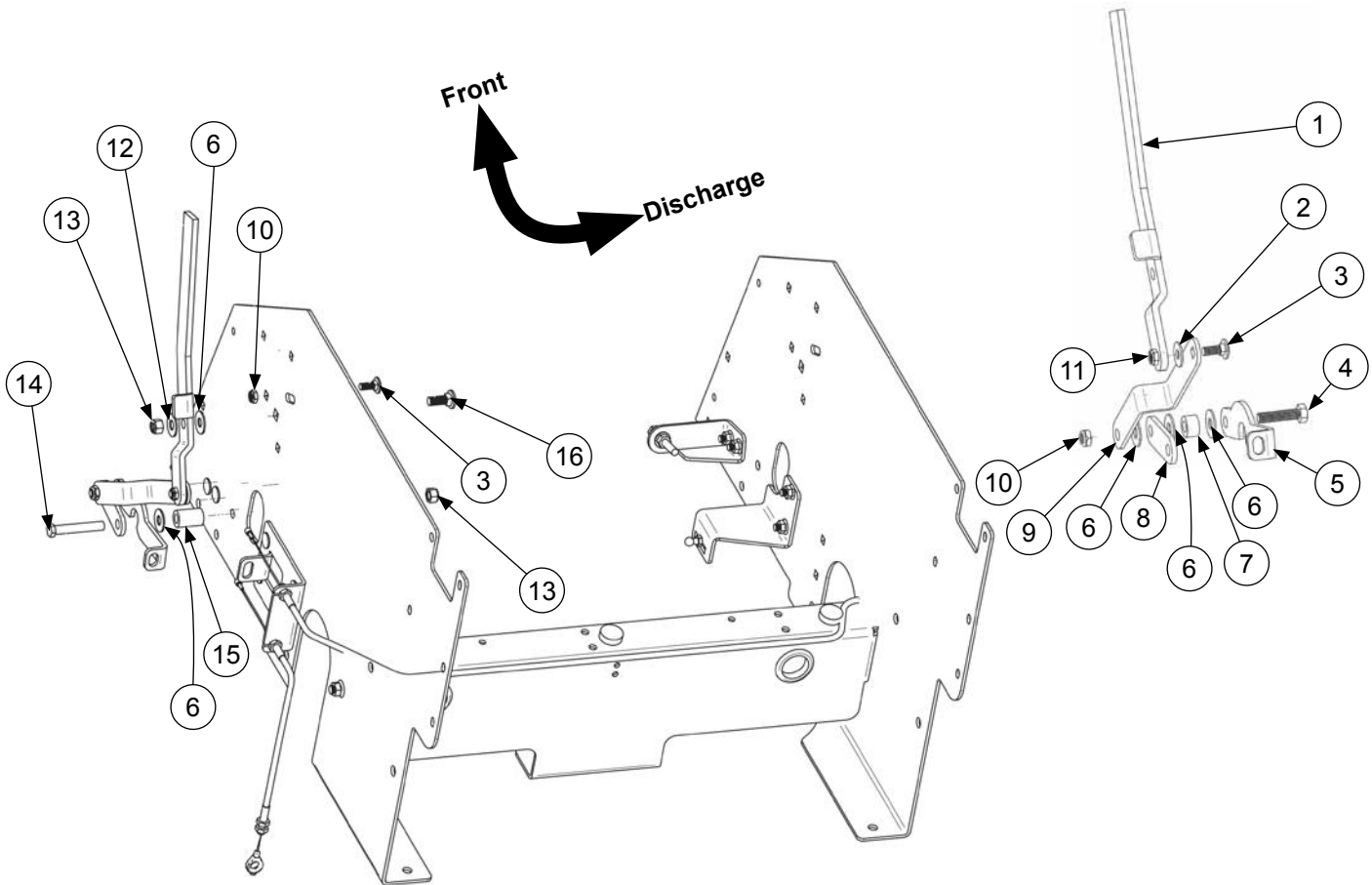
REF	PART#	DESCRIPTION	Qty
1	N-103	Nut - 5/16 - 18 HHCS	2
2	N-153	Nut - 5/16 - 18 Nut Insert	2
3	B-129	Bolt - 5/16-18X2-1/4 HHCS FT LCS Zinc	2
4	200434	Bracket-Forward Stop Black	2
5	N-103-W	Nut - 5/16 - 18 Whiz	4
6	B-104	Bolt - 5/16-18X3/4 CARR FT Gr.5 Zinc	4

# Dampner Brackets



REF	PART#	DESCRIPTION	Qty
1	400781	Bracket-Dampener LH Black	1
2	400780	Bracket-Dampener RH Black	1
3	200116	Ball Stud - AVM PC477-2	2
4	B-104	Bolt - 5/16-18X3/4 CARR FT Gr.5 Zinc	6
5	N-103-W	Nut - 5/16 - 18 Whiz	6
6	200407	Bracket-Brake Cable Black	1
7	200425	Cable-Brake LH	1
8	200426	Cable-Brake RH	1

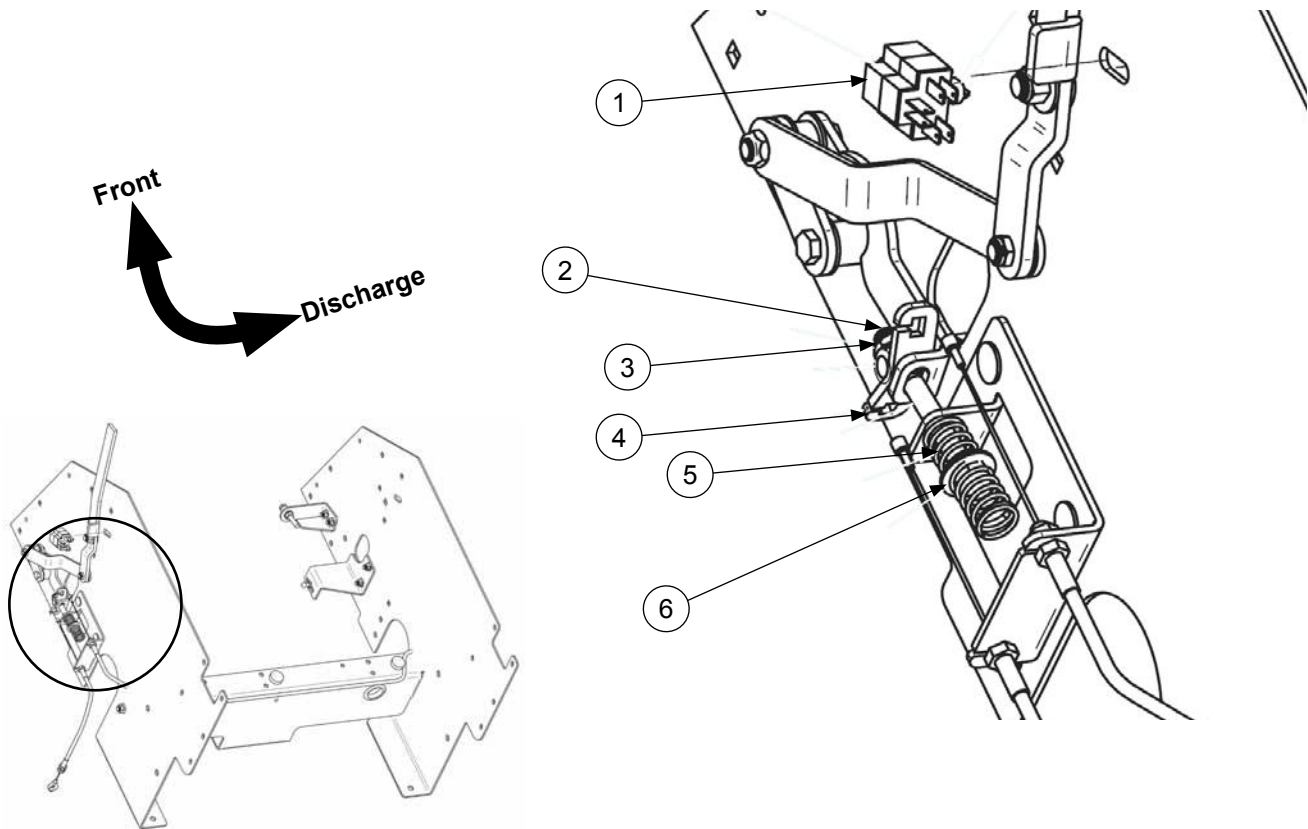
# Brake Handle



REF	PART#	DESCRIPTION	Qty
1	200458	Bracket-Handle Brake Black	1
2	W-184	Washer - 5/16 Nylon	1
3	B-104	Bolt - 5/16-18X3/4 CARR FT Gr.5 Zinc	2
4	B-158	Bolt - 3/8-16X1-1/2 HHCS PT Gr.5 Zinc	1
5	300476	Spacer	1
6	W-125	Washer - 3/8 x 7/8 Nylon	5
7	200410	Bushing-.435 Long Zinc Plated	1
8	200397	Plate-Link Brake Black	1
9	200460	Bracket-Link Brake Black	1
10	N-112	Nut - 3/8 - 16 Nyloc Jam	1
11	N-144	Nut - 5/16 - 18 Nylon Jam	1
12	W-104	Washer - 3/8 Flat	1
13	N-107	Nut-3/8"-16 Nyloc	2
14	B-179	Bolt - 3/8-16X2-1/2 HHCS PT Gr.5 Zinc	1
15	300476	Spacer - Adjustment Height IE	1
16	B-135	Bolt - 3/8-16X1 CARR FT Gr.5 Zinc	1

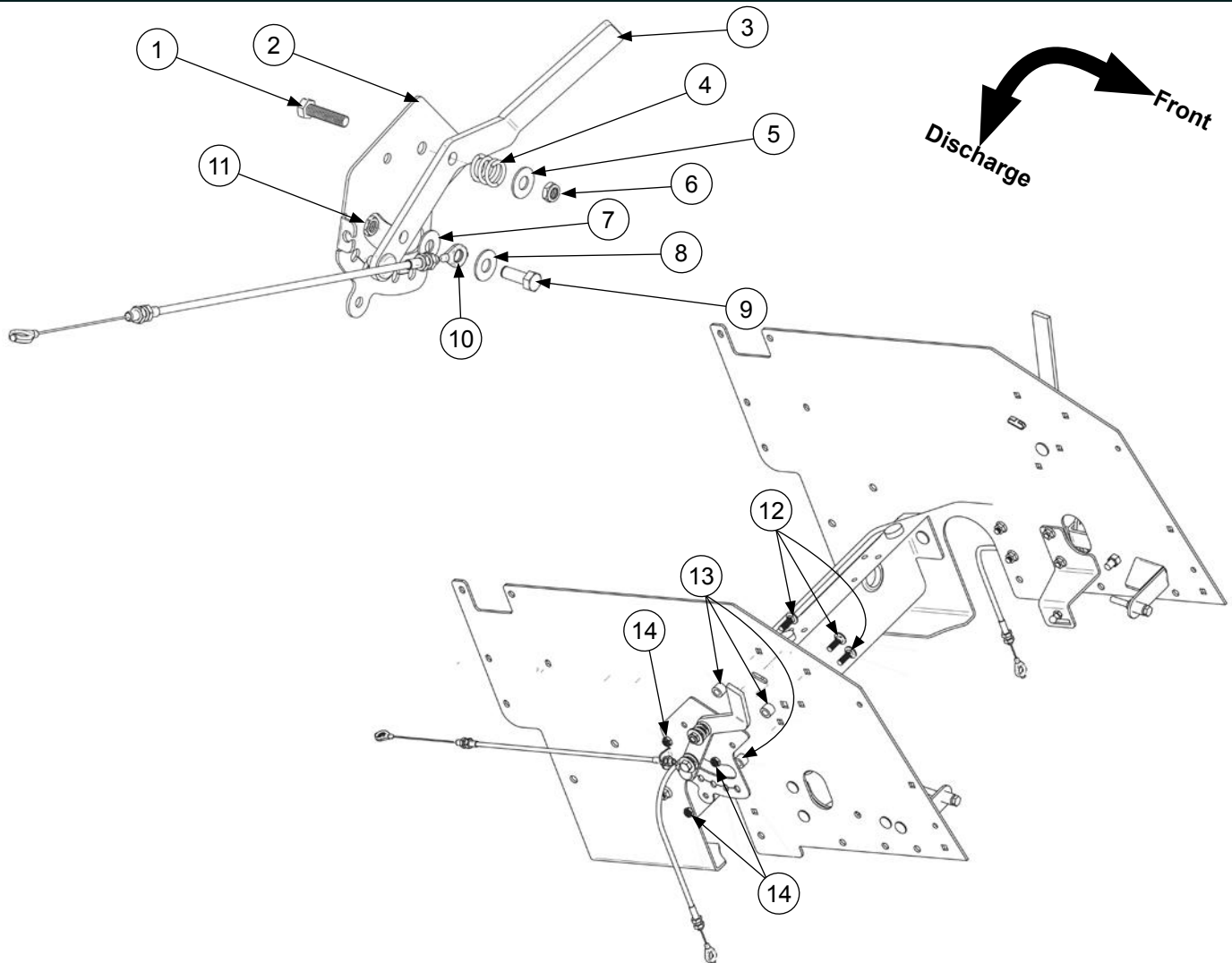


# Brake Handle Attachment



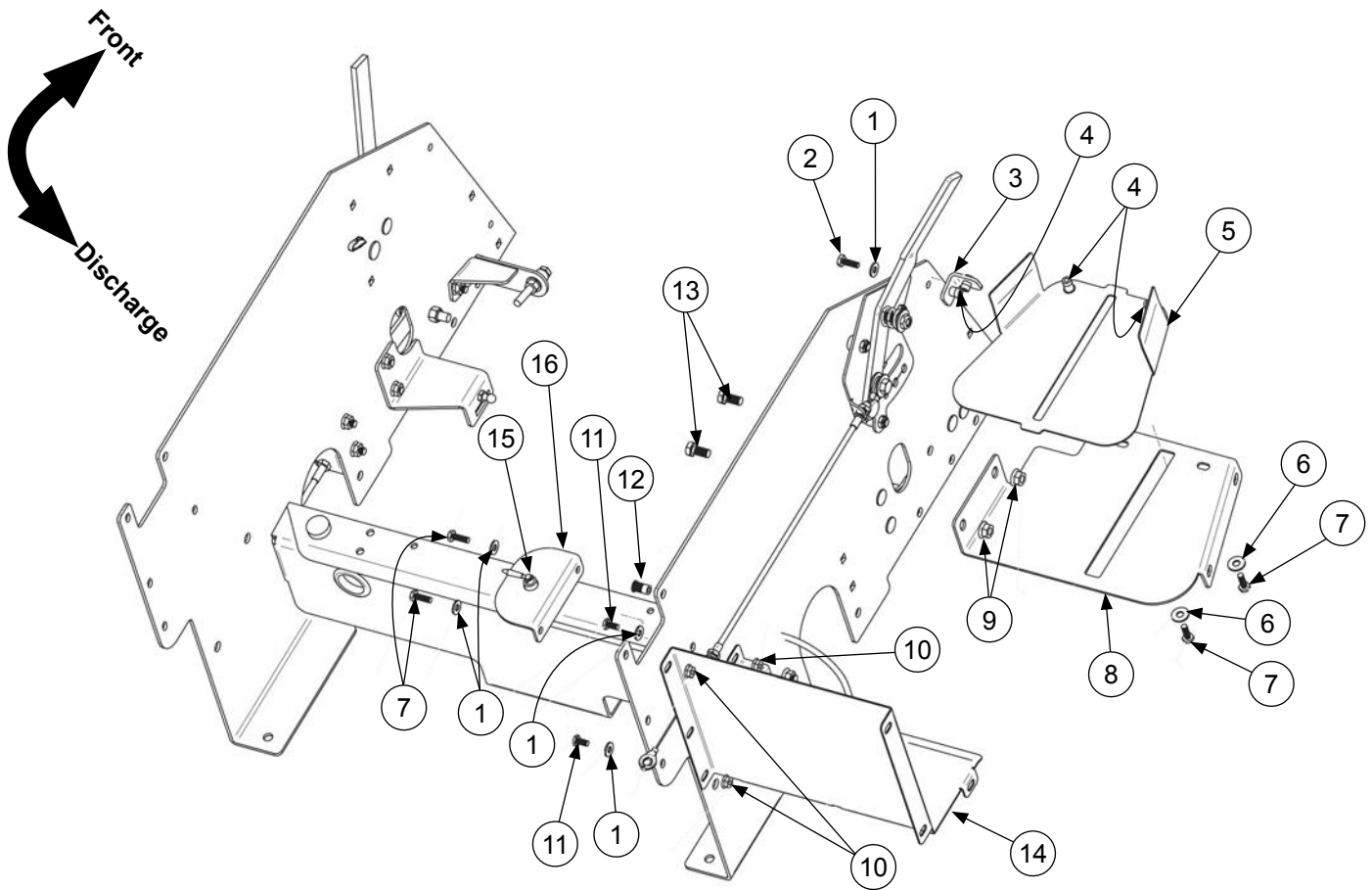
REF	PART#	DESCRIPTION	Qty
1	500130	Switch-3 Pole Snap Mount	1
2	N-112	Nut - 3/8 - 16 Nyloc Jam	1
3	200436	Bar-Rnd Brake Zinc Plated	1
4	200409	Bracket-Brake Cable Linkage Black	1
5	20280L-20	Spring - 20LB (COM.)	1
6	W-104	Washer - 3/8 Flat	1

# OCDC Handle



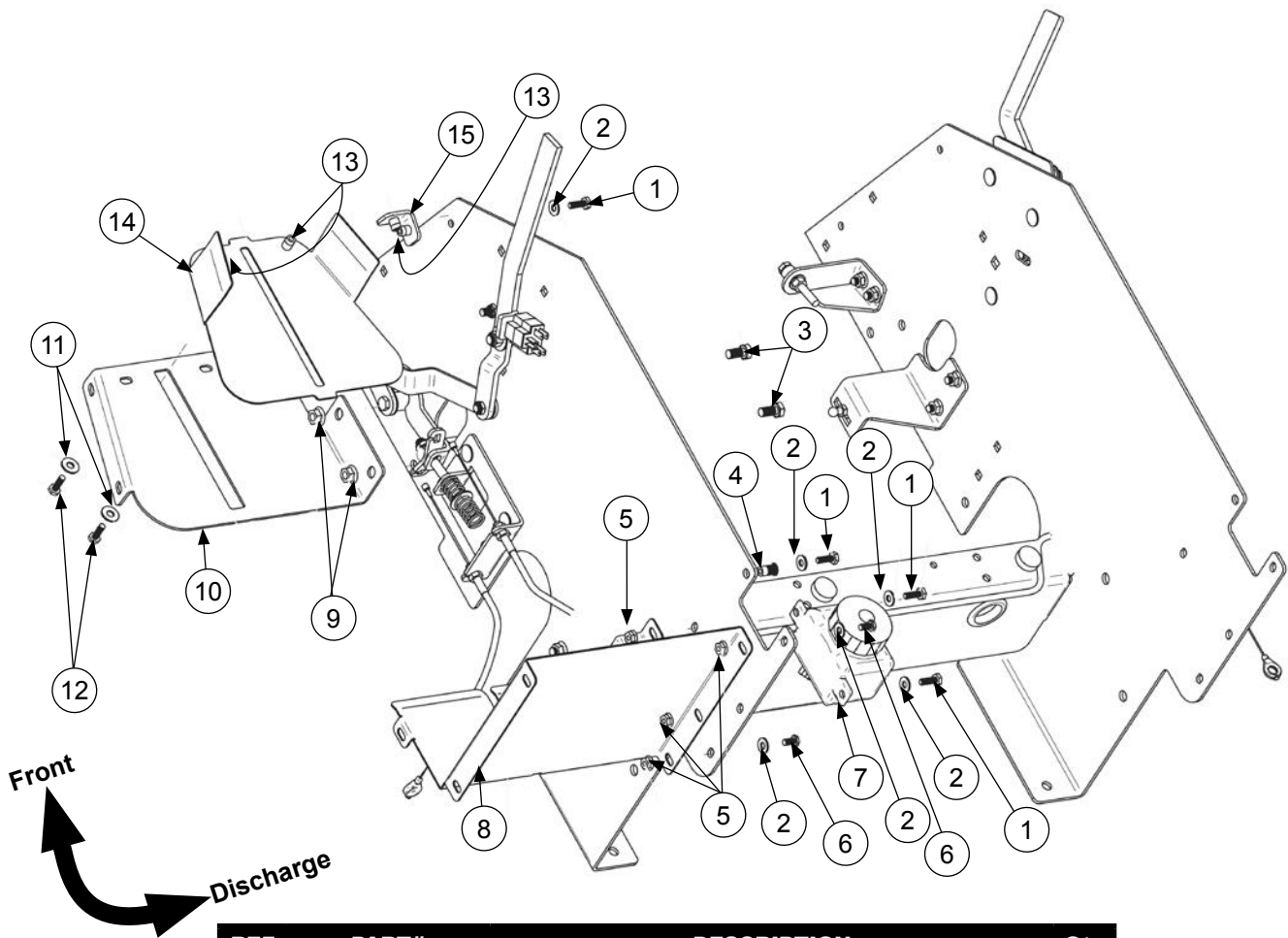
REF	PART#	DESCRIPTION	Qty
1	B-158	Bolt - 3/8-16X1-1/2 HHCS PT Gr.5 Zinc	1
2	400762	Bracket-Mount Handle Zinc Plated	1
3	400765	Weld-Handle Black	1
4	400090	Spring - Brake Handle LT	1
5	W-104	Washer - 3/8 Flat	1
6	N-112	Nut - 3/8 - 16 Nyloc Jam	1
7	W-125	Washer - 3/8 x 7/8 Nylon	1
8	W-104	Washer - 3/8 Flat	1
9	B-108	Bolt - 3/8-16X1 HHCS FT Gr.5 Zinc	1
10	300776	Cable-3/8 Eye Connectors	1
11	N-112	Nut - 3/8 - 16 Nyloc Jam	1
12	B-259	Bolt - 5/16-18X1 CARR FT Gr.5 Zinc	3
13	400789	Bushing-.625ODx.375IDx.46L Zinc Plated	3
14	N-144	Nut - 5/16 - 18 Nylon Jam	3

# Fuel Valve Right Side Tank Supports



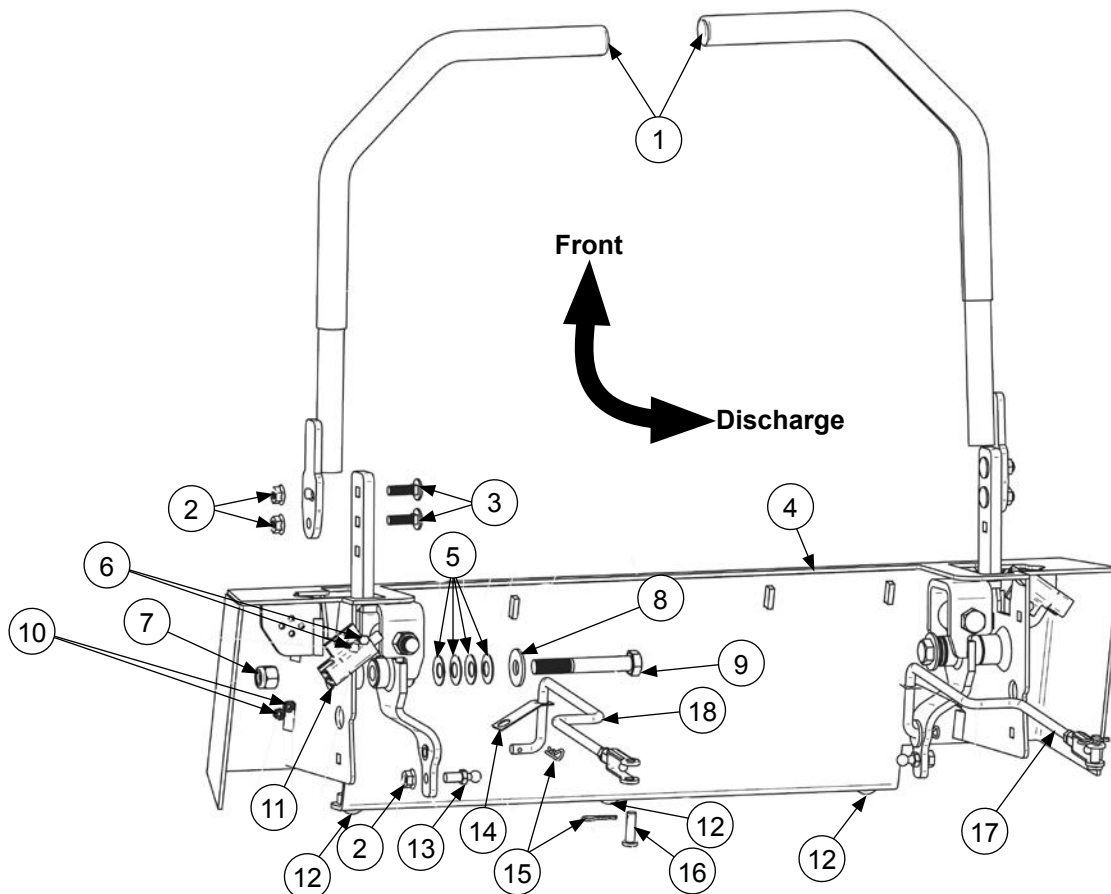
REF	PART#	DESCRIPTION	Qty
1	W-153	Washer - 1/4 SS Flat	5
2	B-209	Bolt - 1/4-20X3/4 HHCS FT SS	1
3	400409	Tab - Inner Fender Magnum Black	1
4	-	Nutsert - 1/4"-20, Fing, Znc (.027-.165)	4
5	400760	Bracket-Tank Stop Black	1
6	W-102	Washer - 1/4 Flat	2
7	B-102	Bolt - 1/4-20X3/4 HHCS FT Gr.5 Zinc	4
8	400758	Bracket-Support Tank Right Front Black	1
9	N-108	Nut - 3/8"-16 Whiz	2
10	N-101	Nut - 1/4 - 20 SS Whiz	3
11	B-103	Bolt - 1/4-20X1/2 HHCS FT SS	2
12	N-152	Nutsert - 1/4"-20, Fing, Znc (.027-.165)	1
13	B-137	Bolt - 3/8-16X3/4 HHCS FT Gr.5 Zinc	2
14	400754	Bracket-Support Tank Right Rear	1
15	400358	Valve - Ball Reserve	1
16	400584	Bracket - Mount Ball Valve SE	1

# Overflow Tank Left Side Tank Support



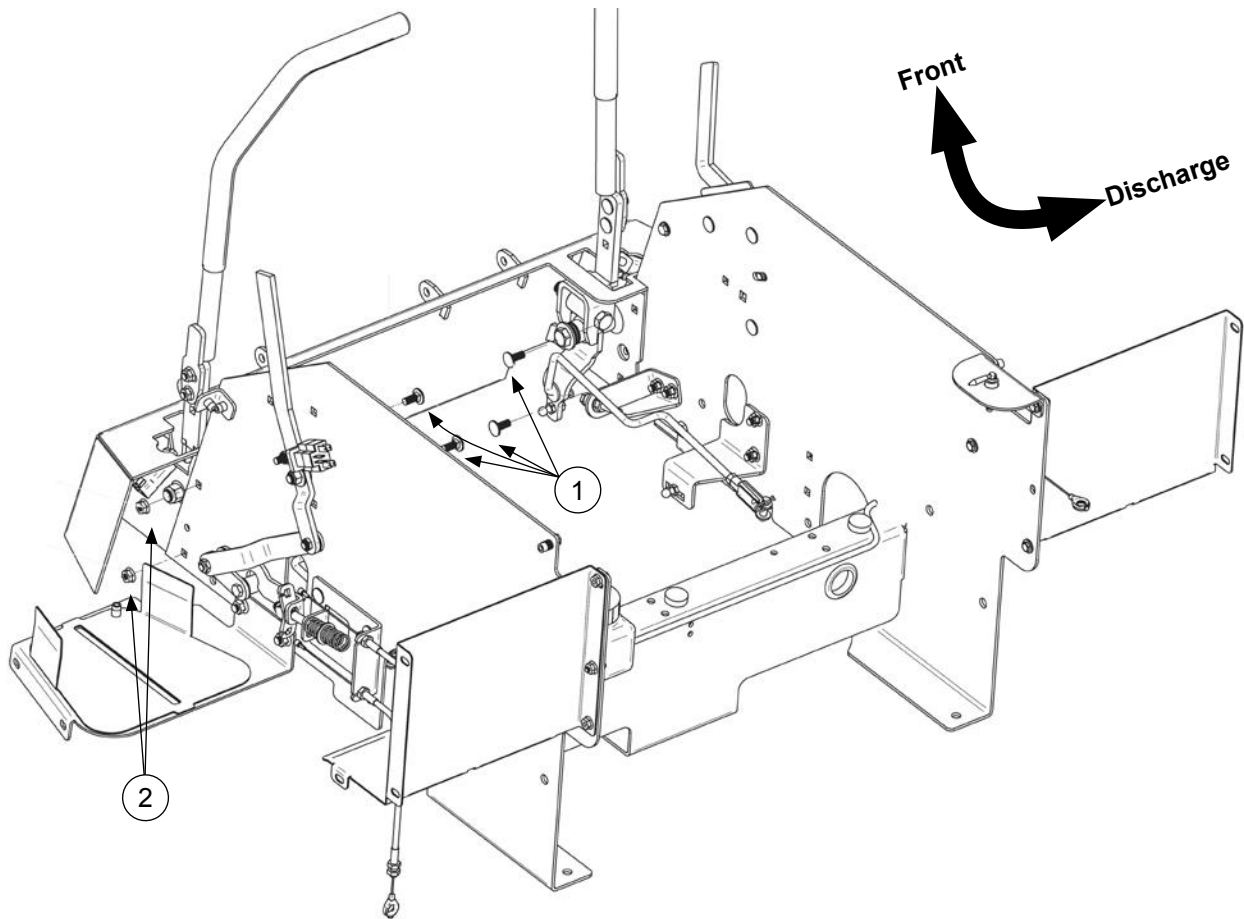
REF	PART#	DESCRIPTION	Qty
1	B-209	Bolt - 1/4-20X3/4 HHCS FT SS	4
2	W-153	Washer - 1/4 SS Flat	6
3	B-137	Bolt - 3/8-16X3/4 HHCS FT Gr.5 Zinc	2
4	N-152	Nutsert - 1/4"-20, Flng, Znc (.027-.165)	1
5	N-101	Nut - 1/4 - 20 SS Whiz	4
6	B-103	Bolt - 1/4-20X1/2 HHCS FT SS	2
7	200234	Tank - Overflow Oil w/Cap	1
8	400753	Bracket-Support Tank Left Rear	1
9	N-108	Nut - 3/8"-16 Whiz	2
10	400757	Bracket-Support Tank Left Front Black	1
11	W-102	Washer - 1/4 Flat	2
12	B-102	Bolt - 1/4-20X3/4 HHCS FT Gr.5 Zinc	2
13	N-152S	Nutsert - 1/4"-20, Flng, Znc (.027-.165)	4
14	400760	Bracket-Tank Stop Black	1
15	400409	Tab - Inner Fender Magnum Black	1

# Steering Controls and Front Pan



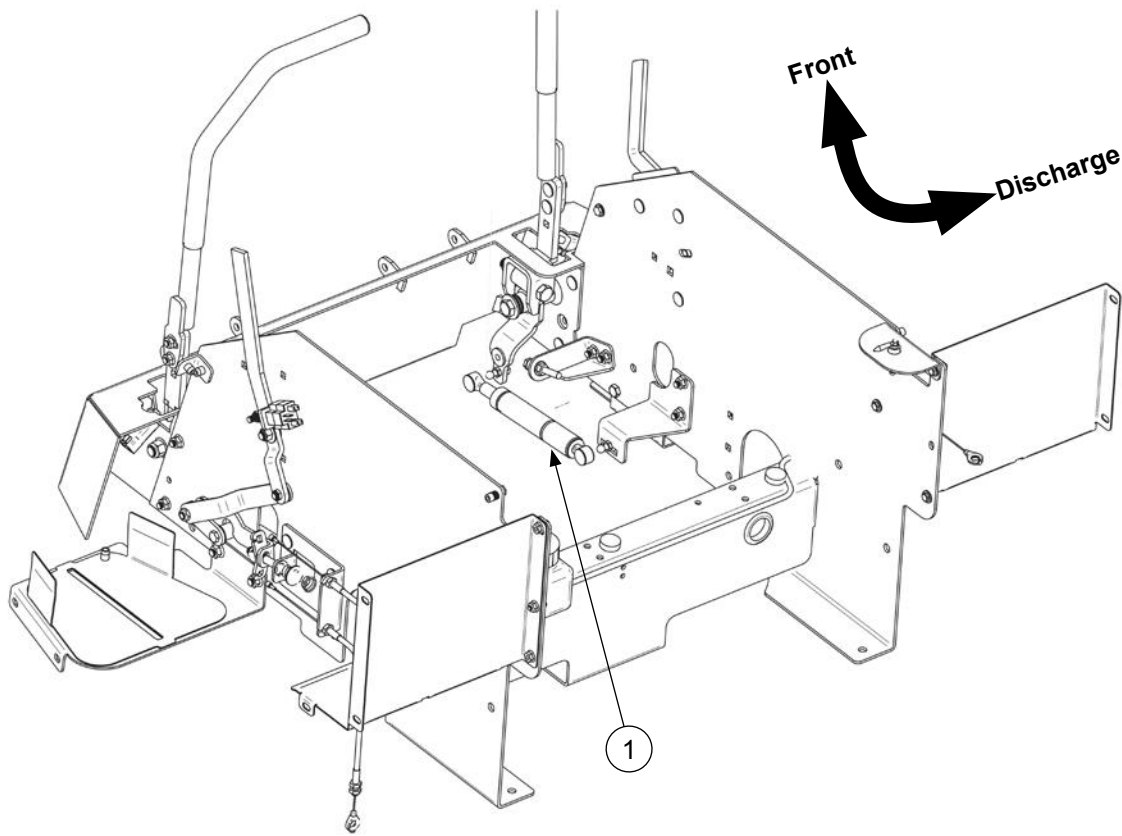
REF	PART#	DESCRIPTION	Qty
1	400730	Asm-Handle With Grips	2
2	N-103-W	Nut - 5/16 - 18 Whiz	6
3	B-259	Bolt - 5/16-18X1 CARR FT Gr.5 Zinc	4
4	400661	Weld-Front Pan Grey	1
5	W-192	Washer - Belleville 1.0x.505x.072 10008W	8
6	B-258	Bolt - M5X.8X16 HHCS FT 8.8 Zinc	4
7	N-143	Nut - 1/2 - 13 Nyloc	2
8	W-109	Washer - 1/2 Flat	2
9	B-194	Bolt - 1/2-13X3-1/2 HHCS PT Gr.5 Zinc	2
10	N-210	Nut-M5-.8 HH w/Star Washer Zinc	4
11	500019	Switch - Brake SE	2
12	900068	Pad - Rubber Pad	3
13	200116	Ball Stud - AVM PC477-2	2
14	20223	Clip - Backing	2
15	20224	Clip - Pin Hair #13	4
16	P-101	Pin - 5/16 X 1 Clevis Zinc	2
17	200482	ROD ASM-PUMP CONTROL RH	1
18	200483	ROD ASM-PUMP CONTROL LH	1

# Front Pan Attachment



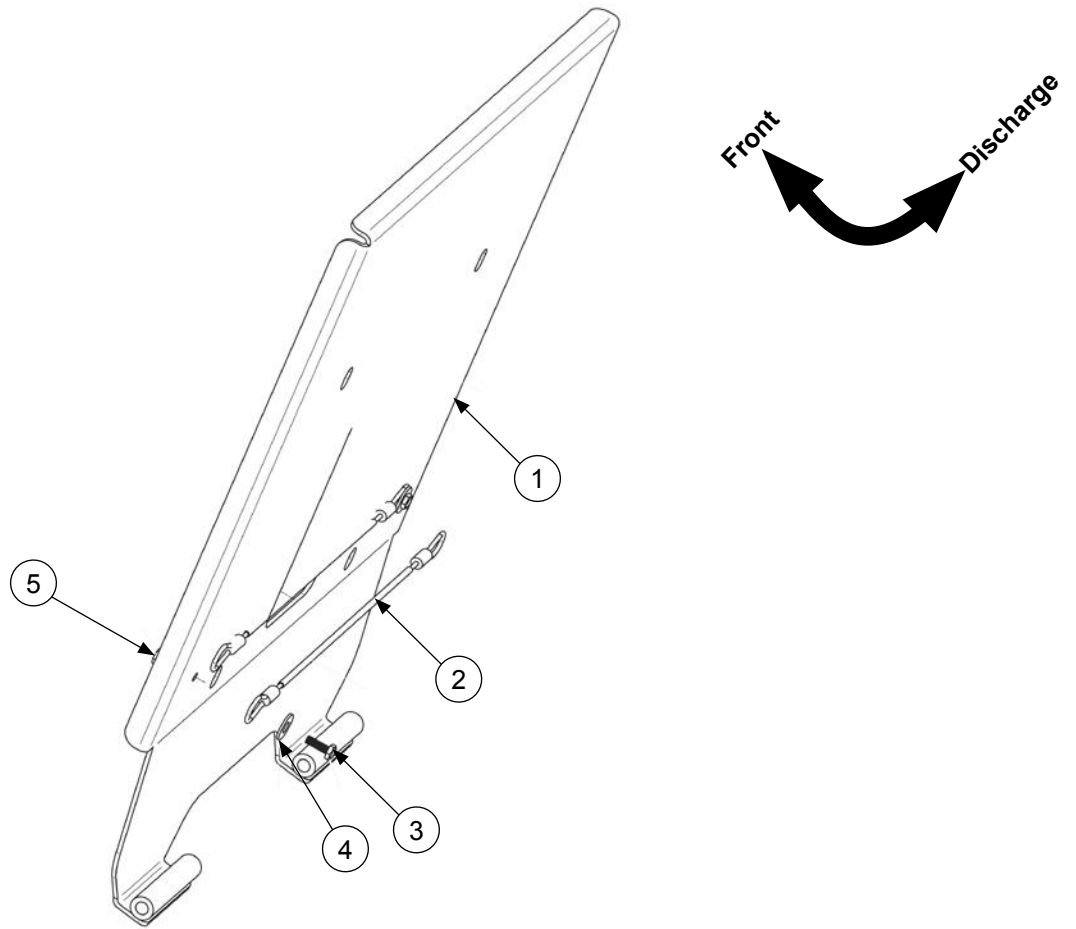
REF	PART#	DESCRIPTION	Qty
1	B-104	Bolt - 5/16-18X3/4 CARR FT Gr.5 Zinc	4
2	N-103-W	Nut - 5/16 - 18 Whiz	4

# Dampers



REF	PART#	DESCRIPTION	Qty
1	200114	Damper - AVM P7062	2

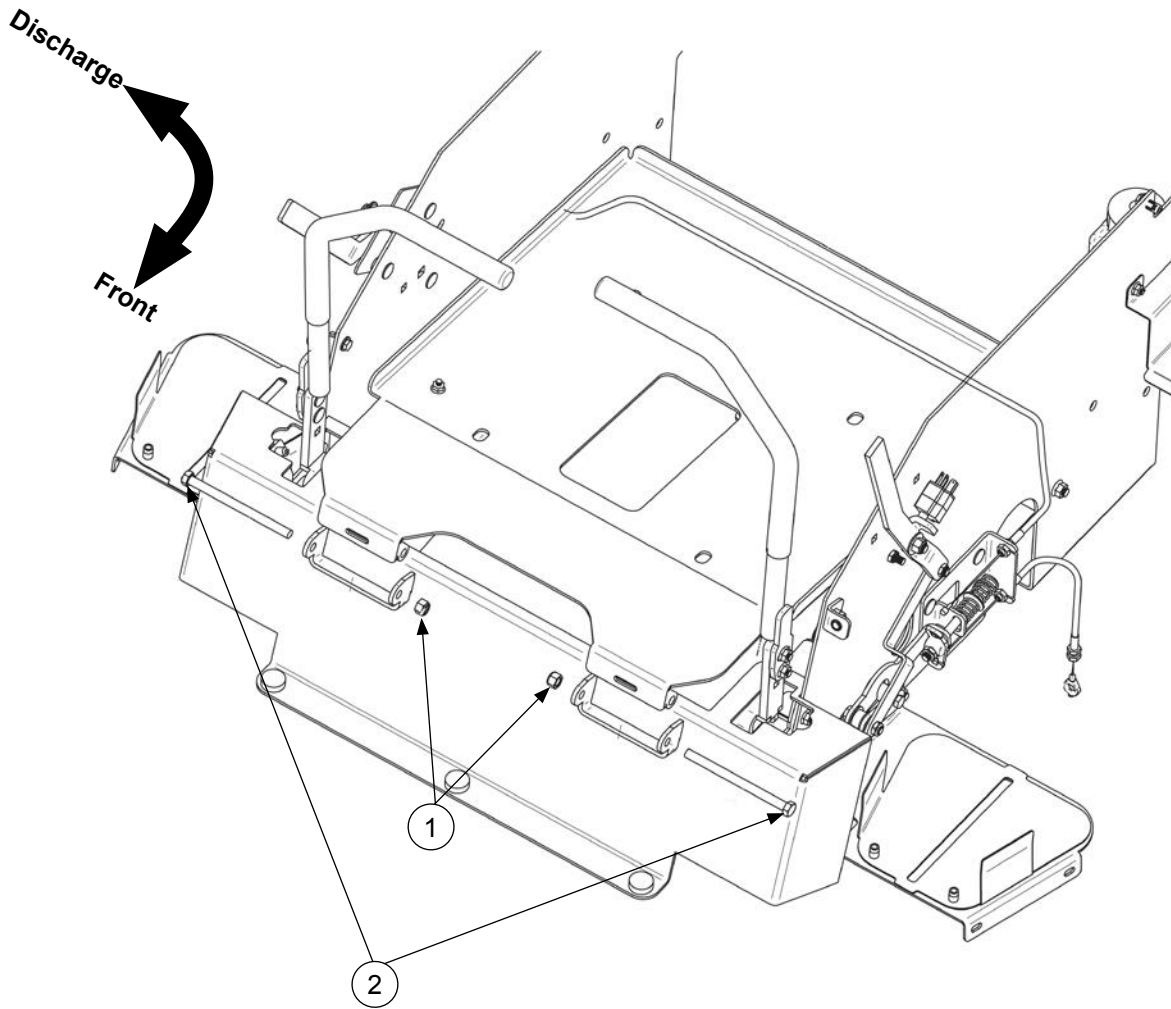
# Seat Pan



REF	PART#	DESCRIPTION	Qty
1	400777	Weld-Seat Pan Black	1
2	40218	Cable - Seat	2
3	B-102	Bolt - 1/4-20X3/4 HHCS FT Gr.5 Zinc	2
4	W-113	Washer - 5/16 Flat	2
5	N-102	Nut - 1/4 - 20 Whiz	2

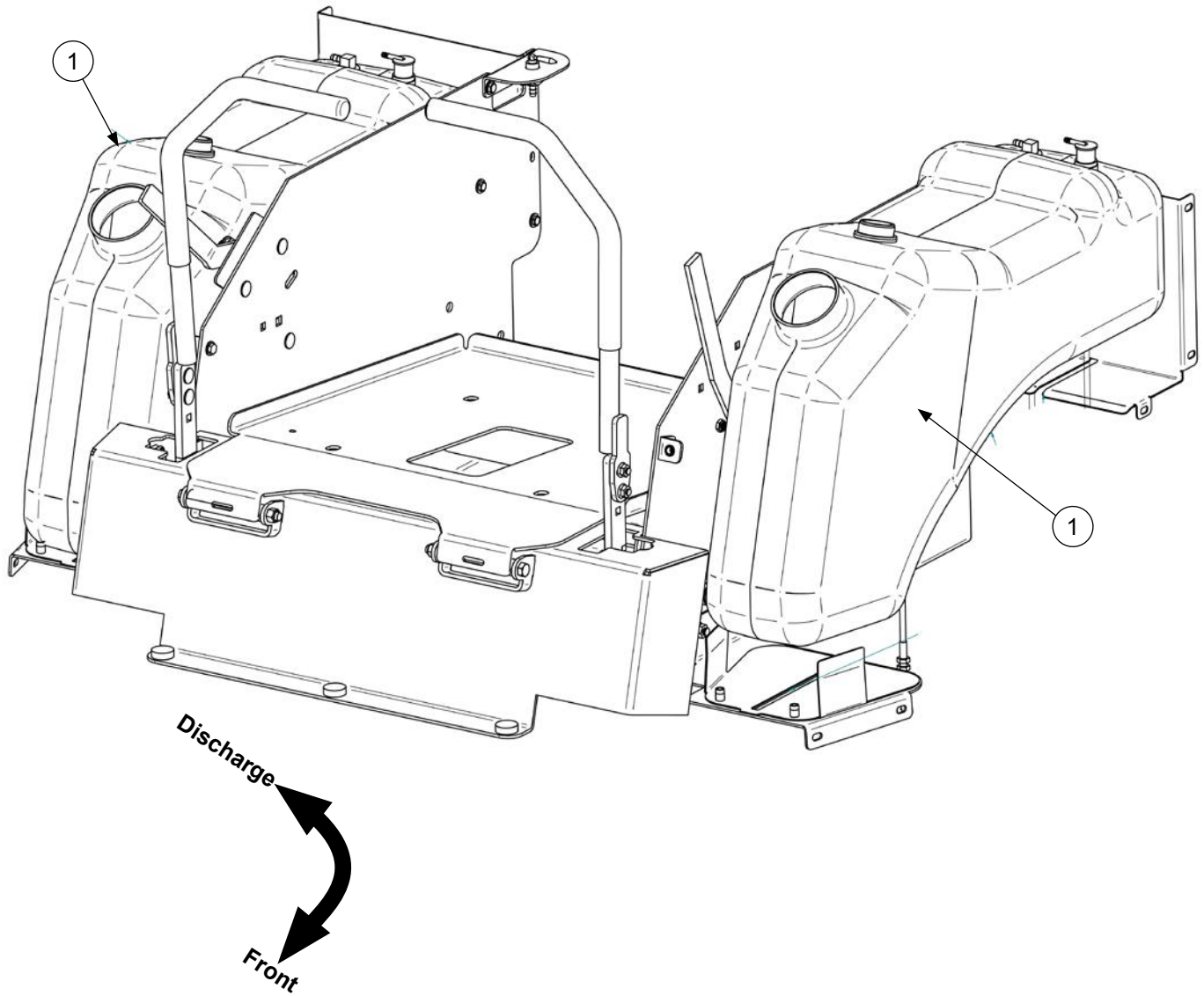


# Seat Pan Attachment



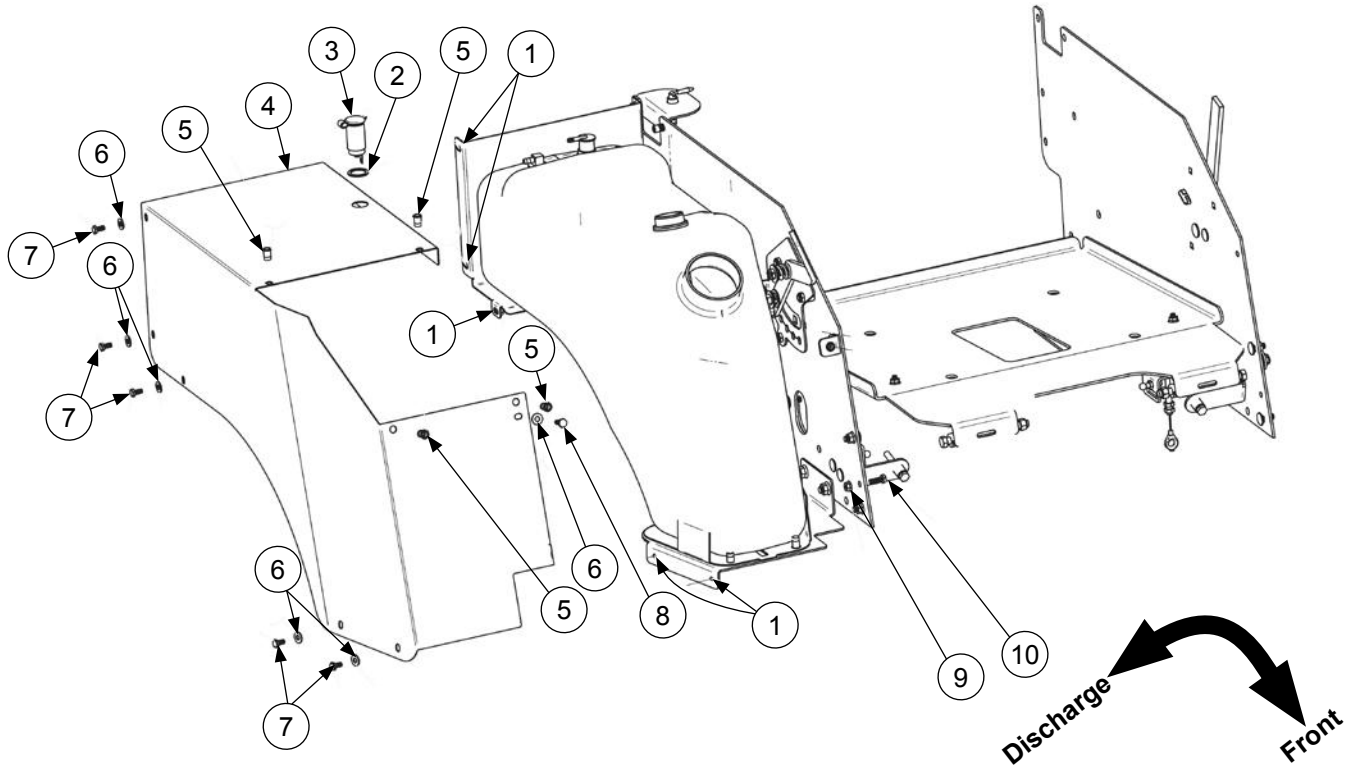
REF	PART#	DESCRIPTION	Qty
1	N-107	Nut-3/8"-16 Nyloc	2
2	B-229	Bolt - 3/8-16X5 HHCS PT Gr.5 Zinc	2

# Fuel Tanks



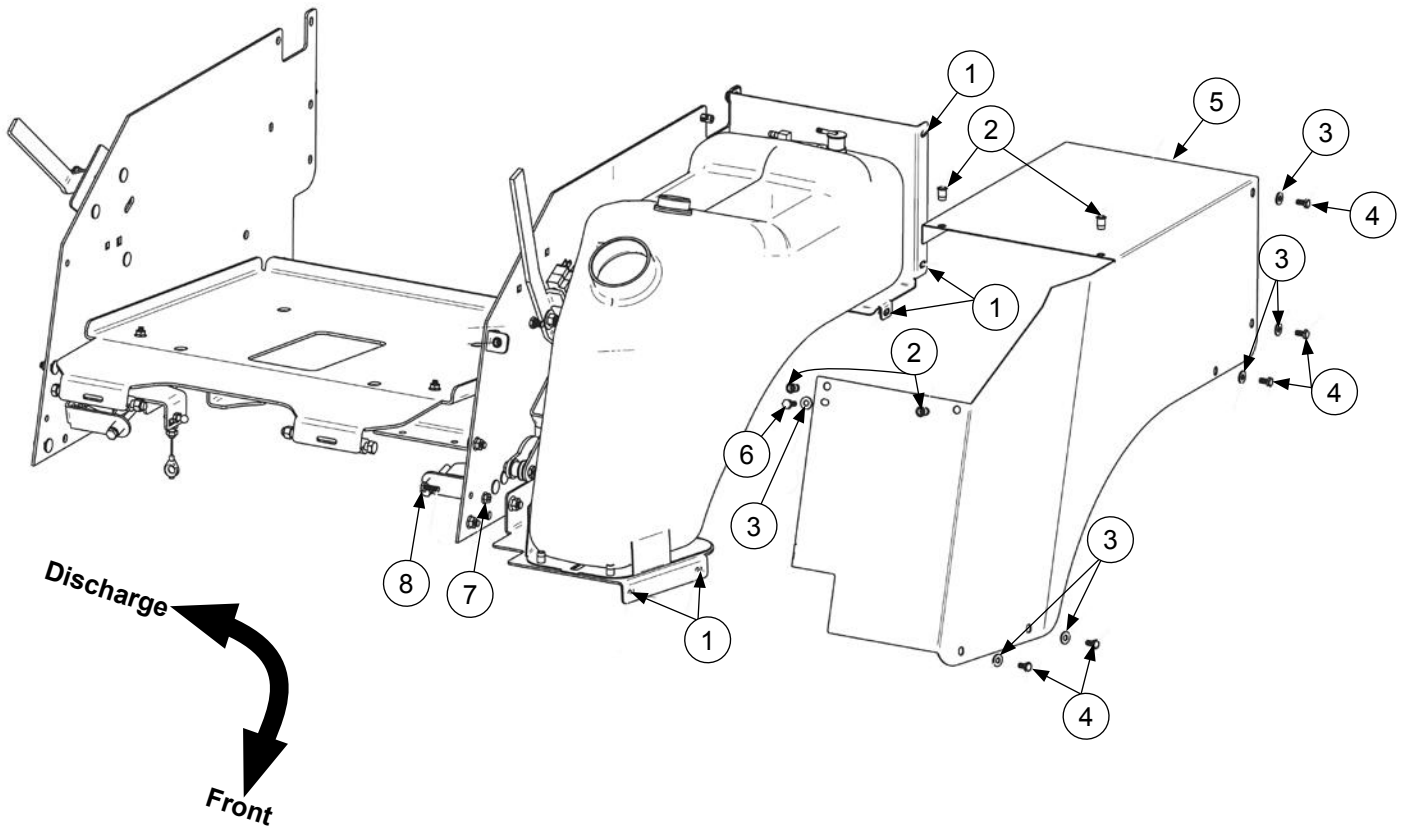
REF	PART#	DESCRIPTION	Qty
1	400533	Tank - Fuel 7Gal	2

# Right Side Fender



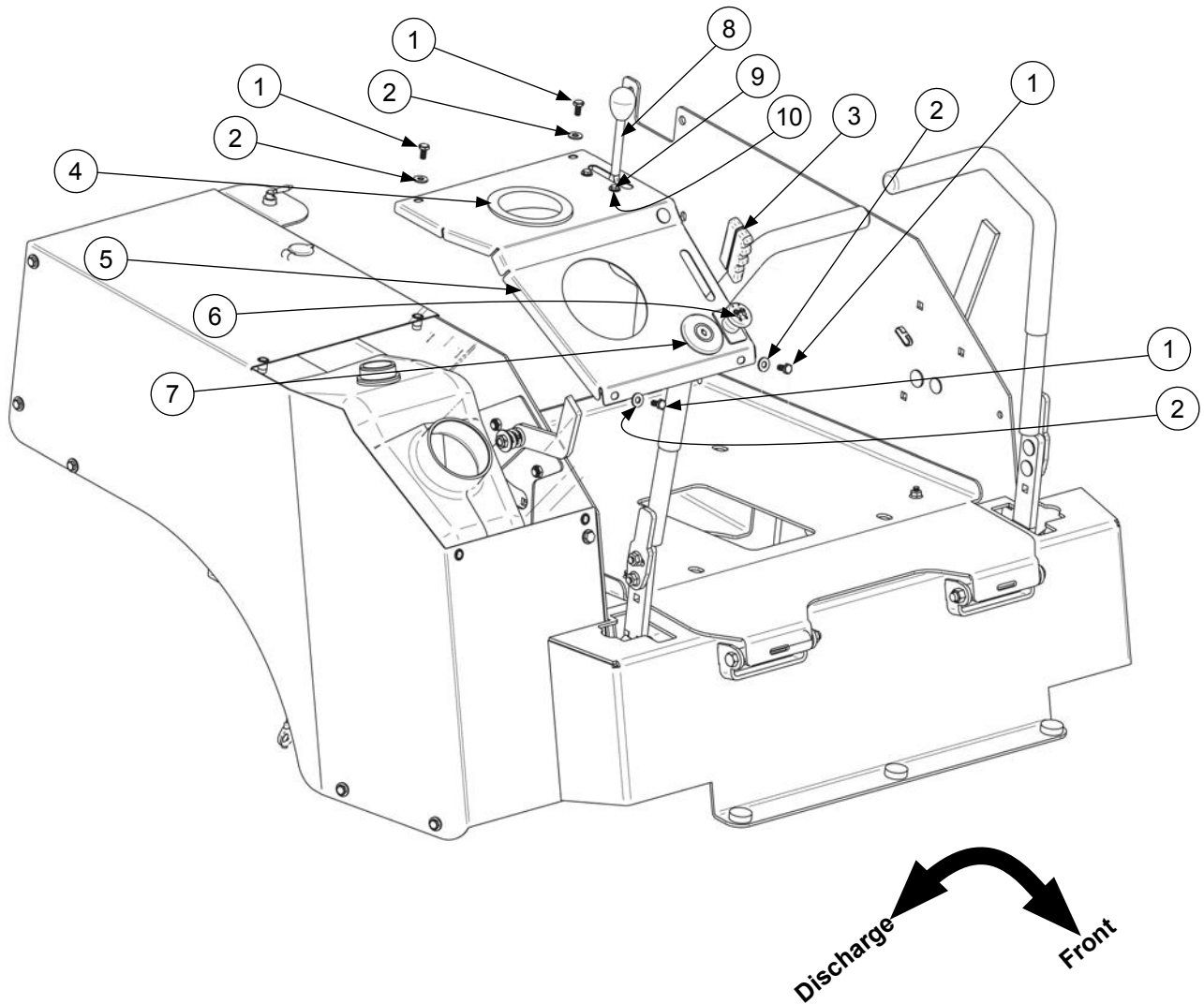
REF	PART#	DESCRIPTION	Qty
1	N-101	Nut - 1/4 - 20 SS Whiz	5
2	400291	Washer - 12 Volt Receptacle	1
3	500053	Plug - Accessory f/500052	1
4	400750	Fender-Shell Outer Right	1
5	N-152S	Nutsert - 1/4"-20, Flng, Znc (.027-.165)	4
6	W-153	Washer - 1/4 SS Flat	6
7	B-103	Bolt - 1/4-20X1/2 HHCS FT SS	6
8	B-209	Bolt - 1/4-20X3/4 HHCS FT SS	1
9	N-102	Nut - 1/4 - 20 Whiz	1
10	B-102	Bolt - 1/4-20X3/4 HHCS FT Gr.5 Zinc	1

# Left Side Fender



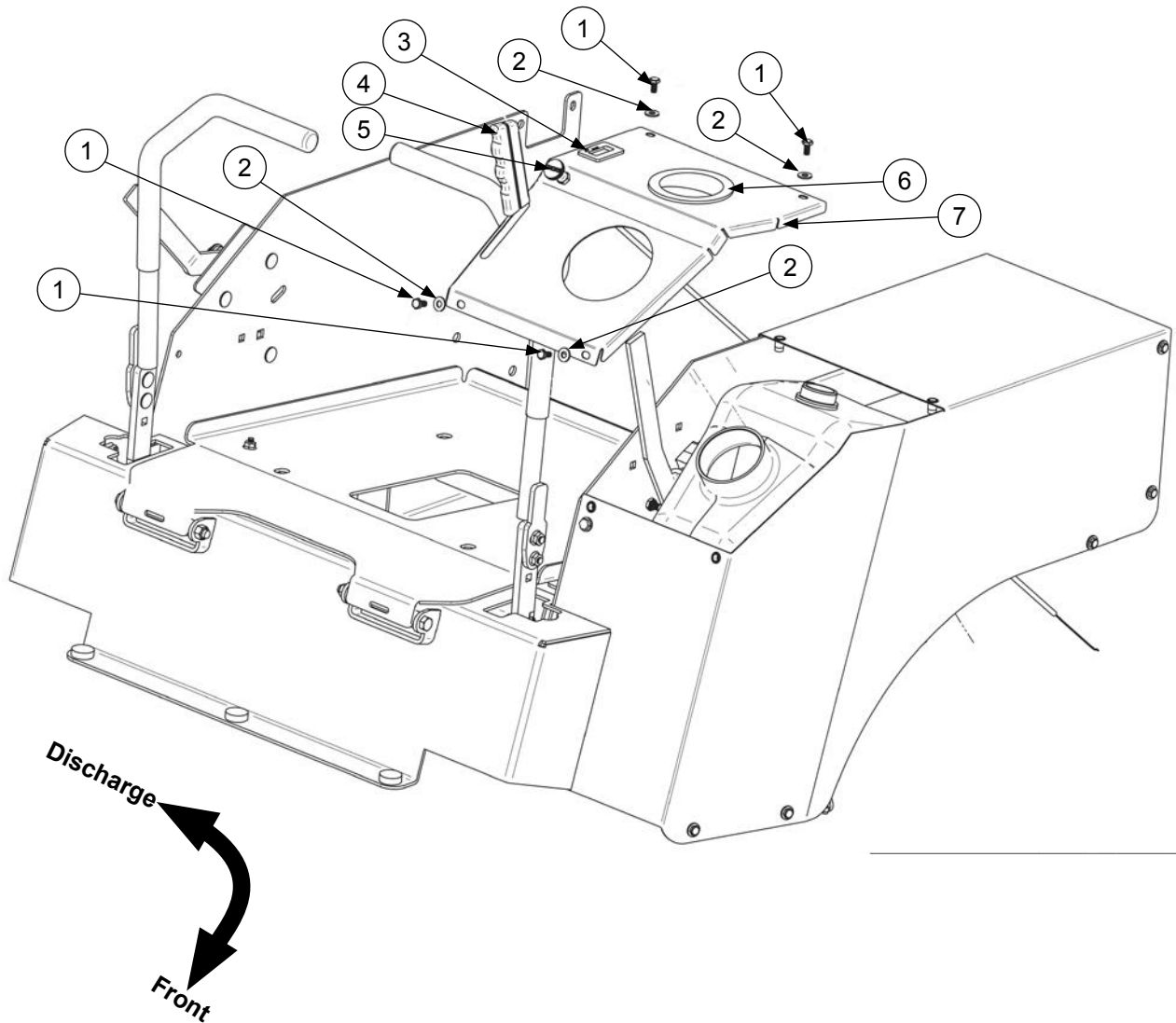
REF	PART#	DESCRIPTION	Qty
1	N-101	Nut - 1/4 - 20 SS Whiz	5
2	N-152S	Nutsert - 1/4"-20, Flng, Znc (.027-.165)	4
3	W-153	Washer - 1/4 SS Flat	6
4	B-103	Bolt - 1/4-20X1/2 HHCS FT SS	5
5	400749	Fender-Shell Outer Left	1
6	B-209	Bolt - 1/4-20X3/4 HHCS FT SS	1
7	N-102	Nut - 1/4 - 20 Whiz	1
8	B-102	Bolt - 1/4-20X3/4 HHCS FT Gr.5 Zinc	1

# Right Side Control Panel



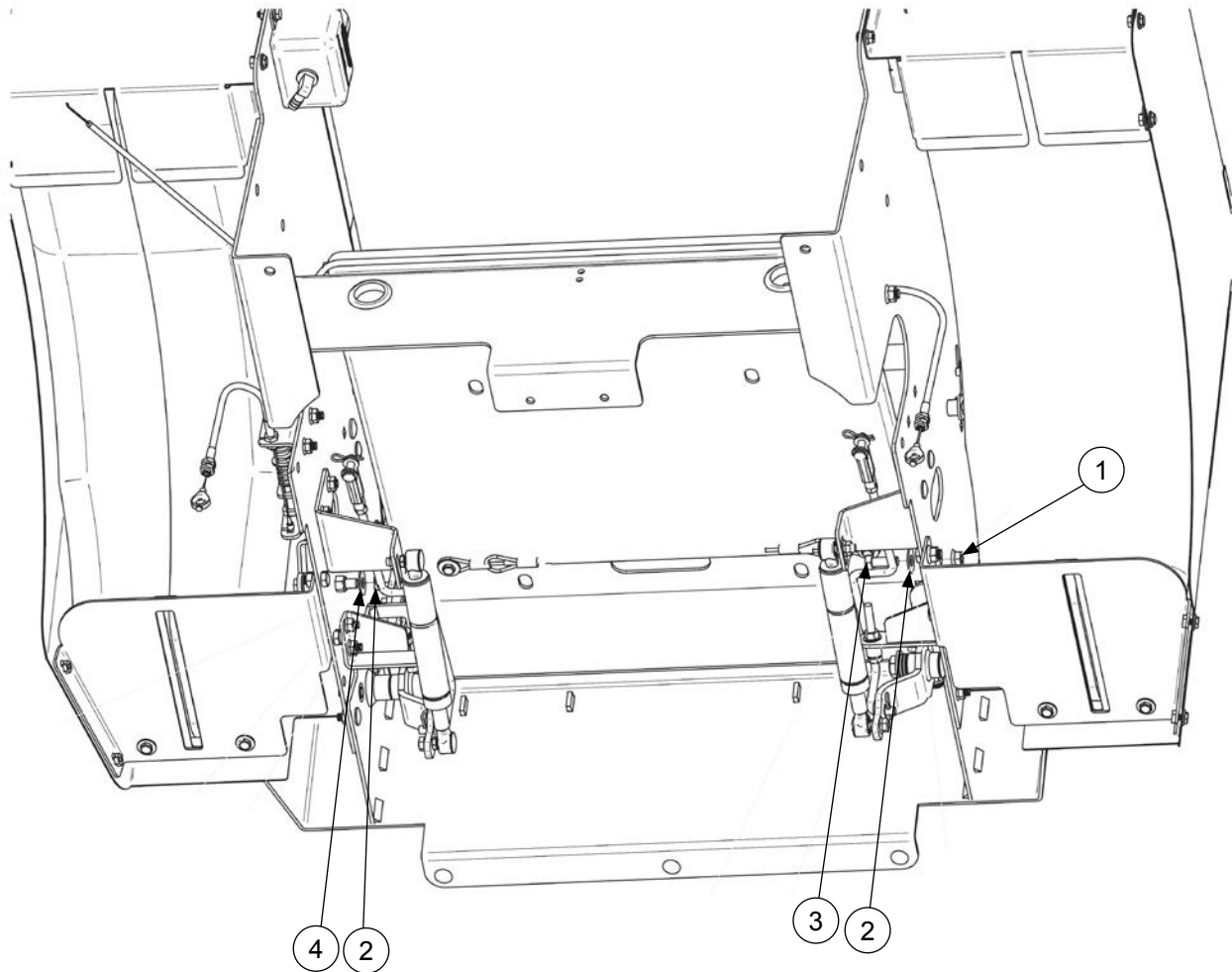
REF	PART#	DESCRIPTION	Qty
1	B-103	Bolt - 1/4-20X1/2 HHCS FT SS	4
2	W-153	Washer - 1/4 SS Flat	4
3	67258	Grip - 1/4 x 1 Black	1
4	400766	Cover-Plastic Insert	1
5	400752	Panel-Gauge Right	1
6	500016	Switch - PTO	1
7	500017	Switch - Ignition SE	1
8	400586	Assembly - Throttle Handle STR 5" w/Knob	1
9	B-203	Bolt - #10-24X3/4 HHCS FT SS	2
10	W-152	Washer - #10 Flat SS	2

# Left Side Control Panel



REF	PART#	DESCRIPTION	Qty
1	B-103	Bolt - 1/4-20X1/2 HHCS FT SS	4
2	W-153	Washer - 1/4 SS Flat	4
3	500113	Meter - Hour/Tach/Volt No Dot	1
4	67258-R	Grip - 1/4" x 1" Red	1
5	600072	Cable - Choke 63" Long	1
6	400766	Cover-Plastic Insert	1
7	400751	Panel-Gauge Left	1

# Lower Body to Chassis Attachment



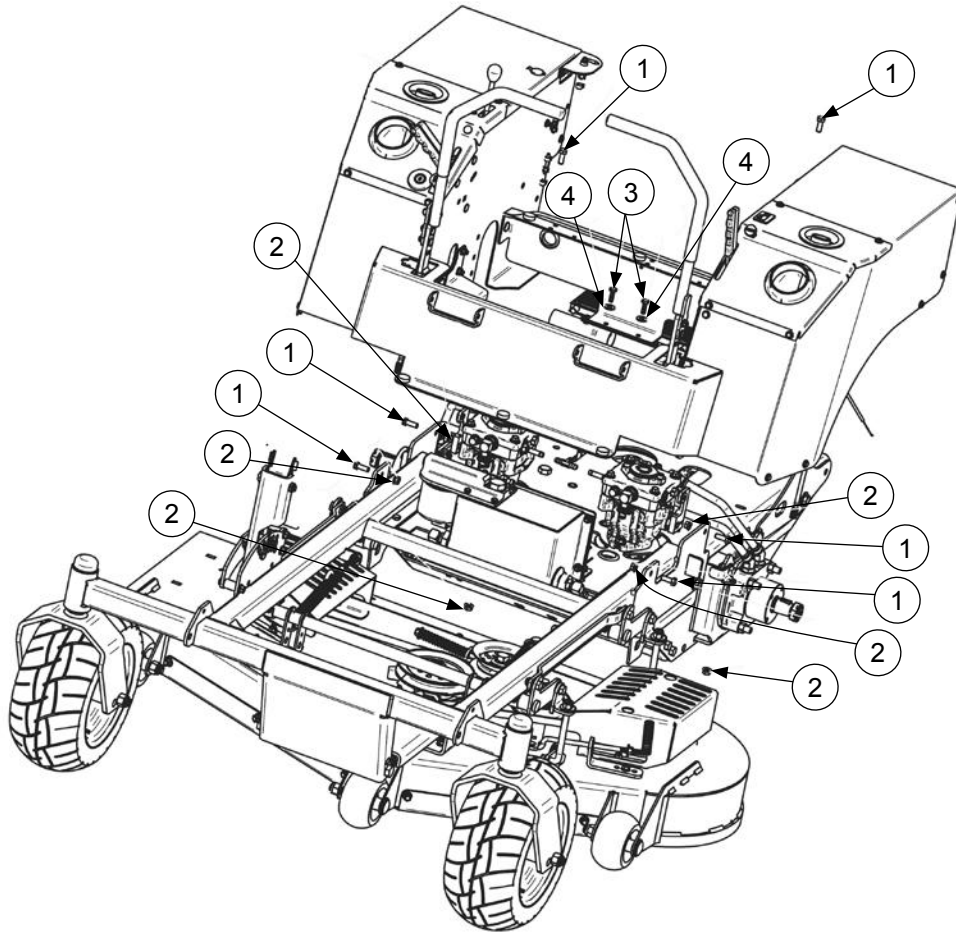
Front



Discharge

REF	PART#	DESCRIPTION	Qty
1	N-108	Nut - 3/8"-16 Whiz	1
2	W-104	Washer - 3/8 Flat	2
3	B-108	Bolt - 3/8-16X1 HHCS FT Gr.5 Zinc	1
4	N-112	Nut - 3/8 - 16 Nyloc Jam	1

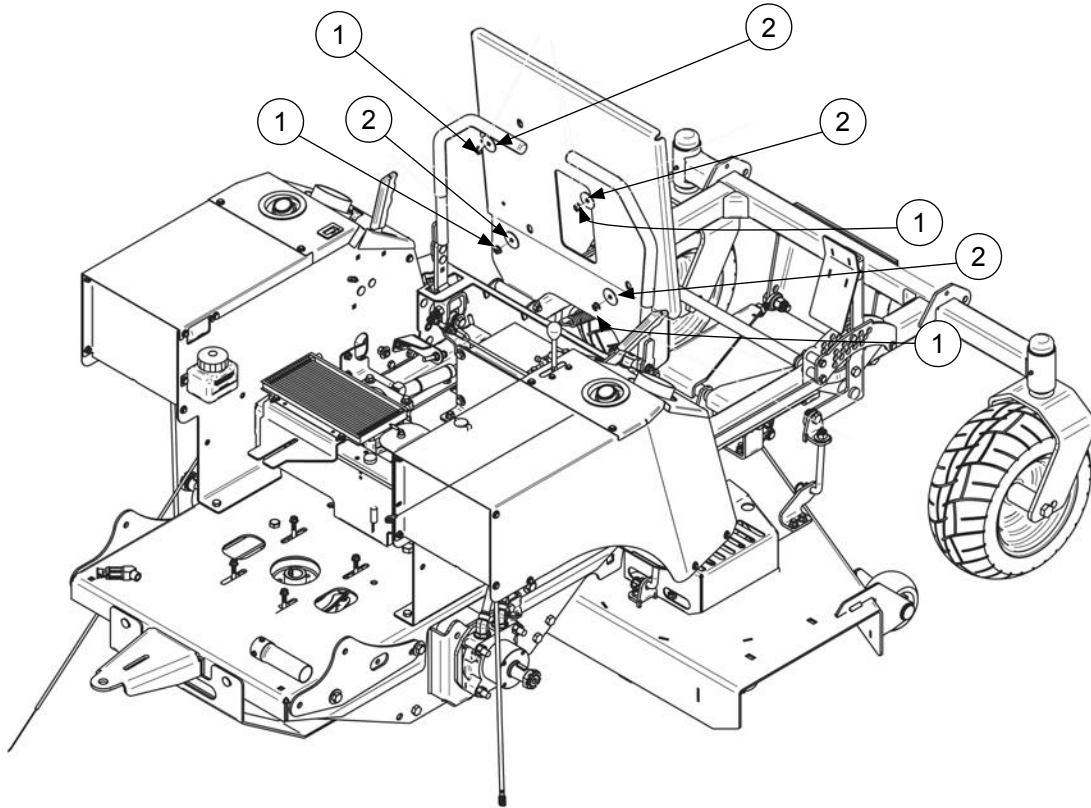
# Body Attachment



REF	PART#	DESCRIPTION	Qty
1	B-108	Bolt - 3/8-16X1 HHCS FT Gr.5 Zinc	6
2	N-108	Nut - 3/8"-16 Whiz	6
3	B-131	Bolt - 5/16-18X1 HHCS FT Gr.5 Zinc	2
4	W-113	Washer - 5/16 Flat	2



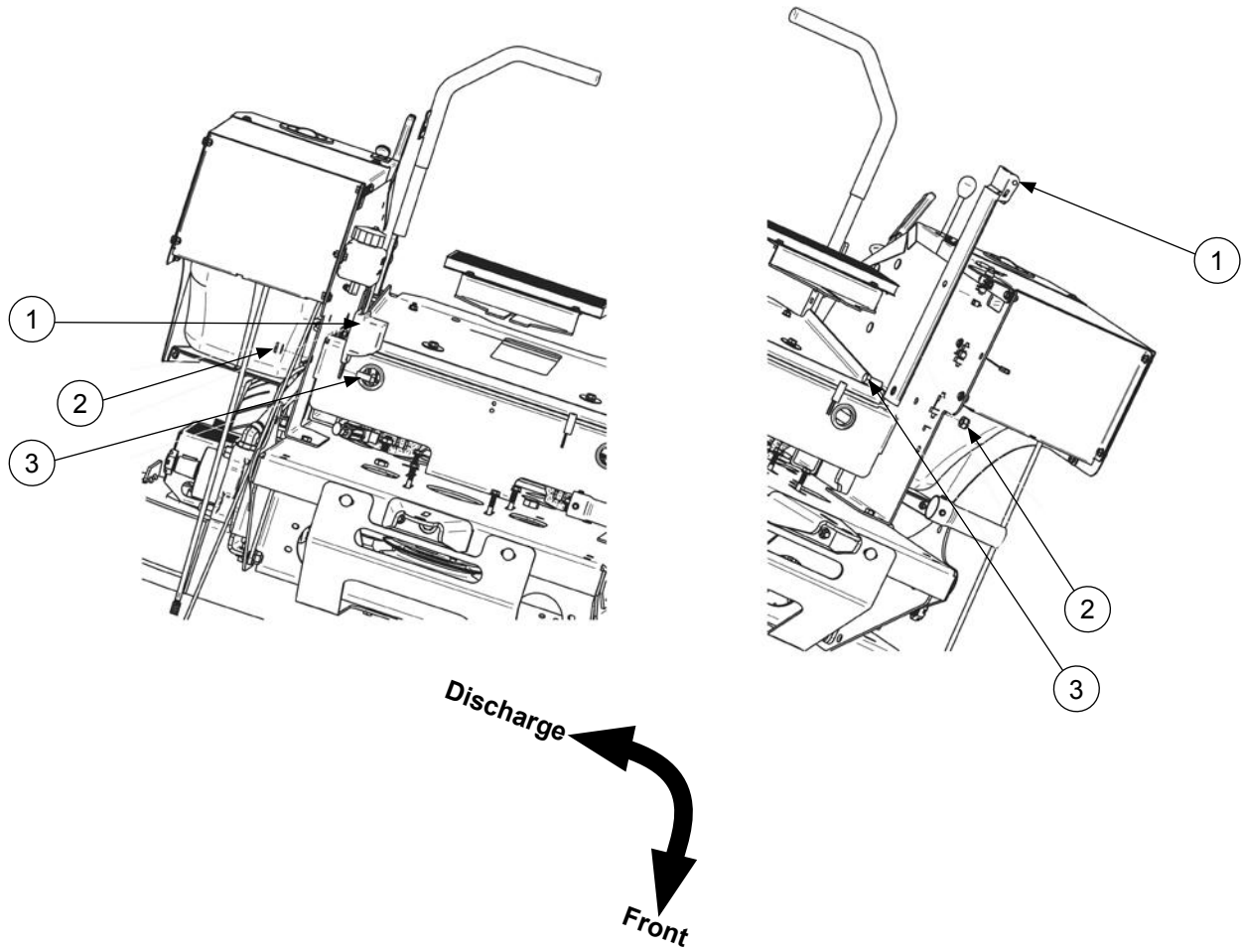
# Seat and Attaching Hardware



Seat Not Shown

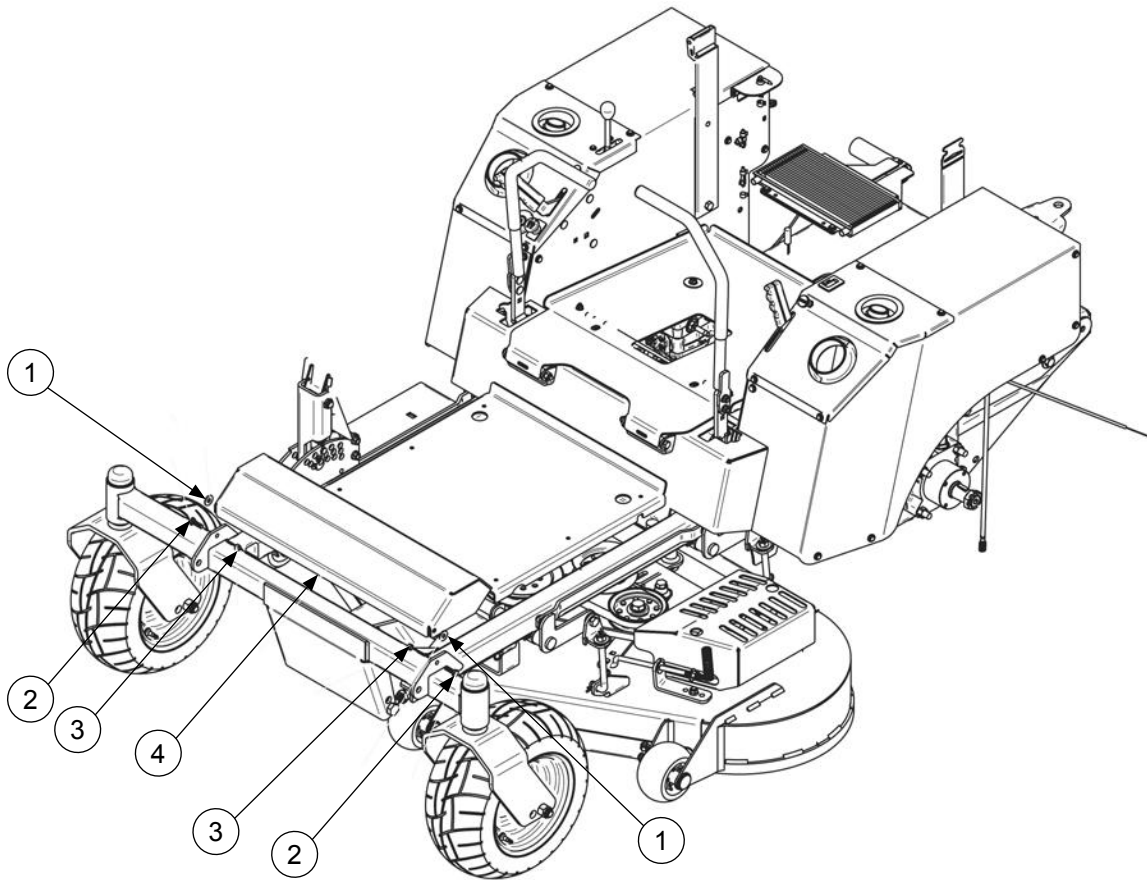
REF	PART#	DESCRIPTION	Qty
1	N-103-W	Nut - 5/16 - 18 Whiz	4
2	W-118	Washer - 5/16 x 1-1/2 Fender	4
3	400321	Complete Seat	1

# Seat Belts



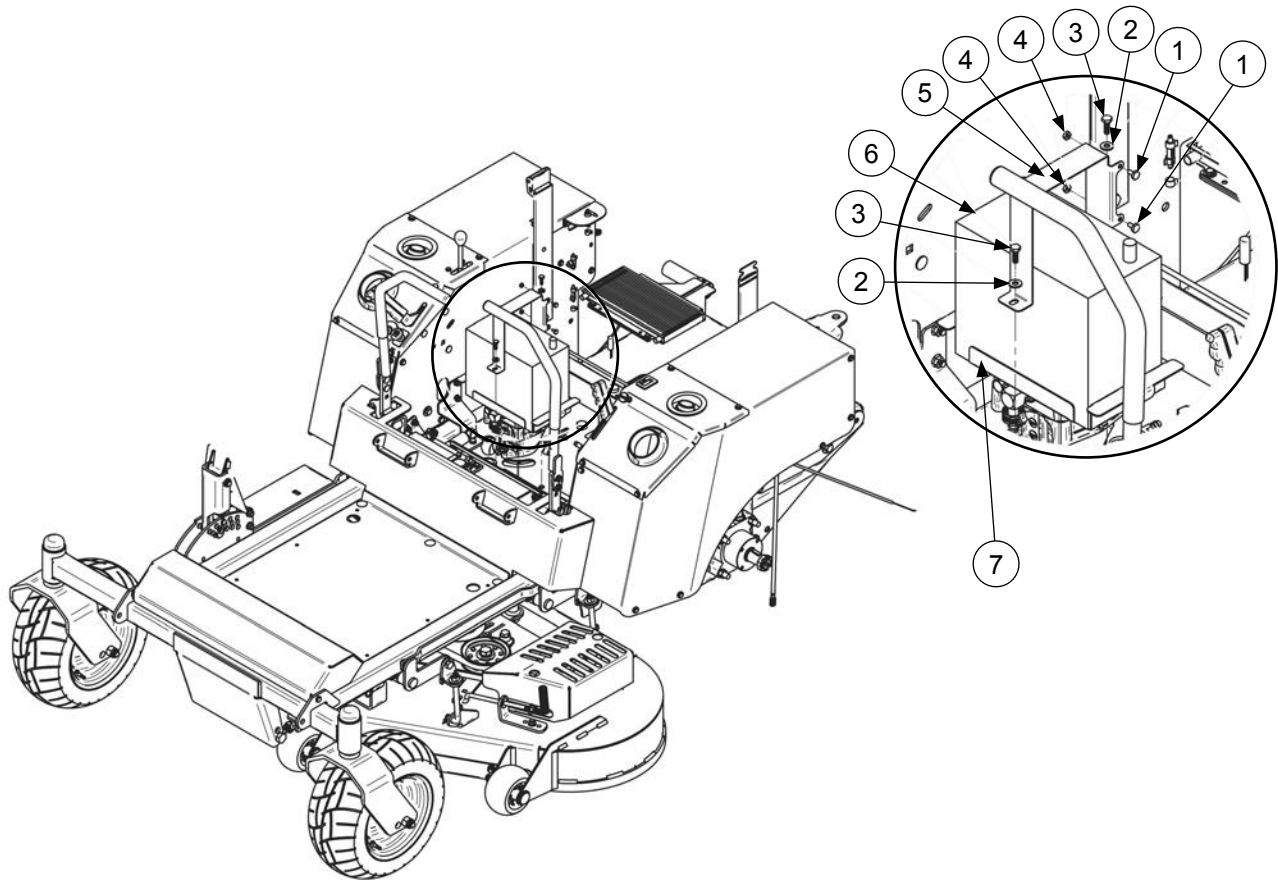
REF	PART#	DESCRIPTION	Qty
1	N-135	Nut - 7/16 - 20 Nyloc	1
2	900387	Belt - Seat Retractable	2
3	B-312	Bolt - 7/16-20X1 HHCS FT Gr.5 Zinc	2

# Floor Pan



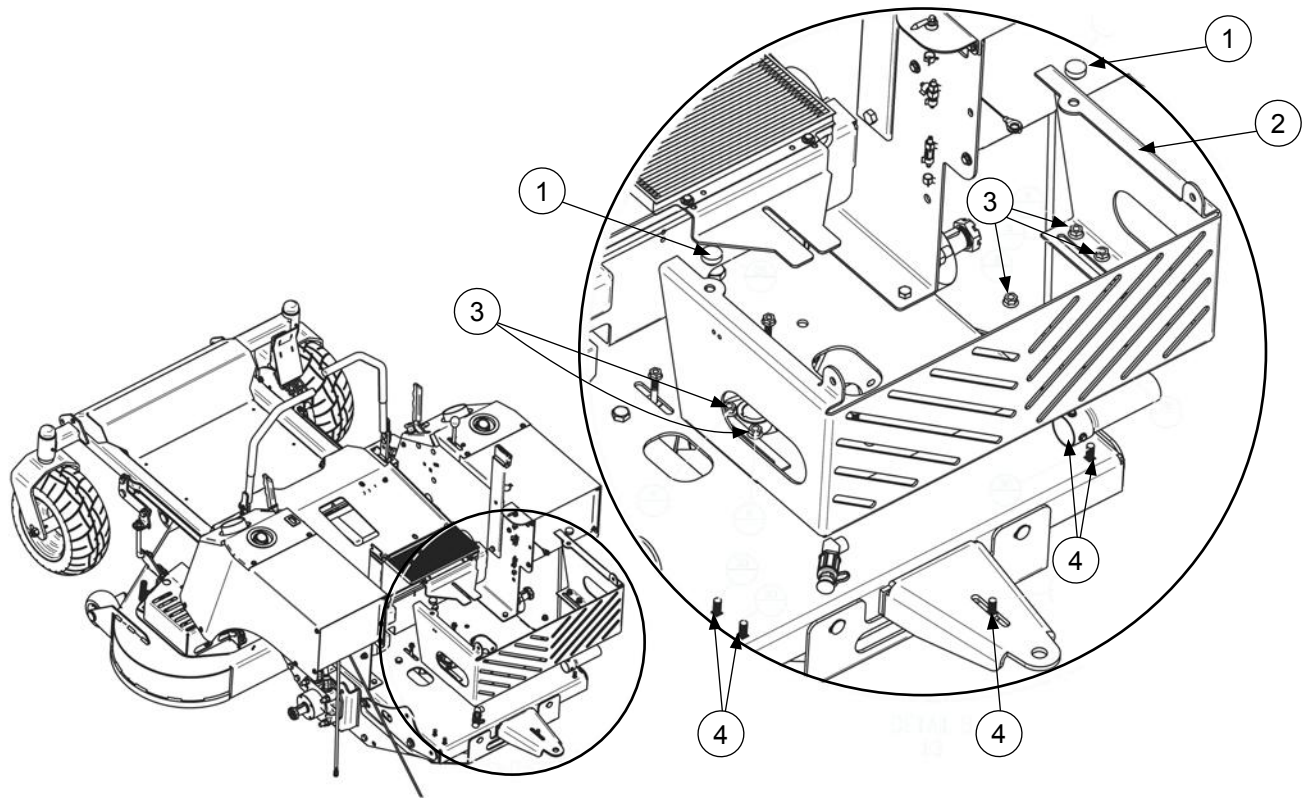
REF	PART#	DESCRIPTION	Qty
1	W-184	Washer - 5/16 Nylon	2
2	B-131	Bolt - 5/16-18X1 HHCS FT Gr.5 Zinc	2
3	N-131	Nut - 5/16 - 18 Nyloc	2
4	400698	Bracket-Floor Pan Grey	1

# Battery and Hardware



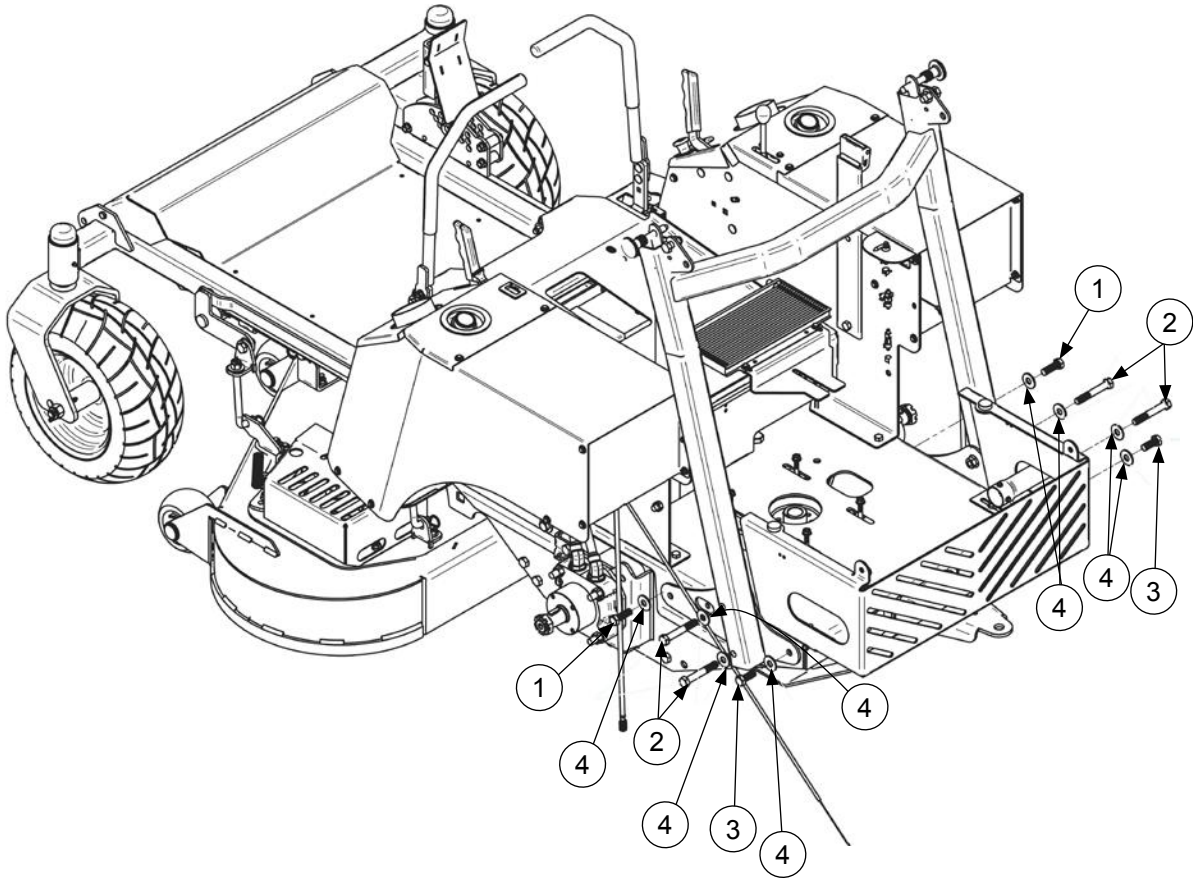
REF	PART#	DESCRIPTION	Qty
1	B-289	Bolt - #10-24X1/2 Indented HHCS FT Zinc	2
2	W-153	Washer - 1/4 SS Flat	2
3	B-209	Bolt - 1/4-20X3/4 HHCS FT SS	2
4	N-169	Nut - #10 - 24 HH w/Star Washer	2
5	400686	Bracket-Strap Battery Big	1
6	97325	Battery - 551/450 Deka f/Diesel	1
7	400685	Bracket-Battery Big	1

# Engine Guard



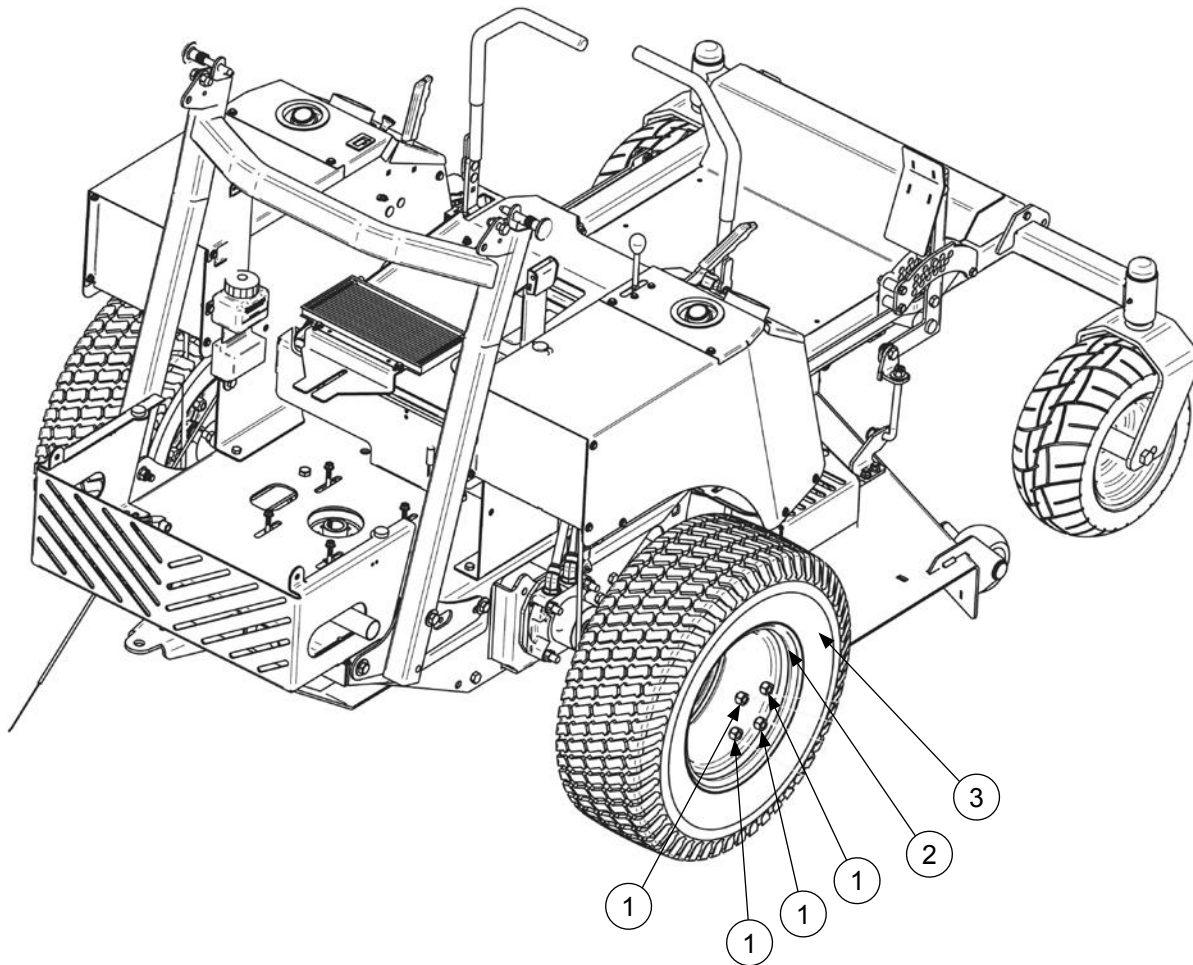
REF	PART#	DESCRIPTION	Qty
1	900068	Pad - Rubber Pad	2
2	400702	Bracket-Mounting Engine Guard Black	1
3	N-108	Nut - 3/8"-16 Whiz	5
4	B-135	Bolt - 3/8-16X1 CARR FT Gr.5 Zinc	5

# Lower Roll Bar



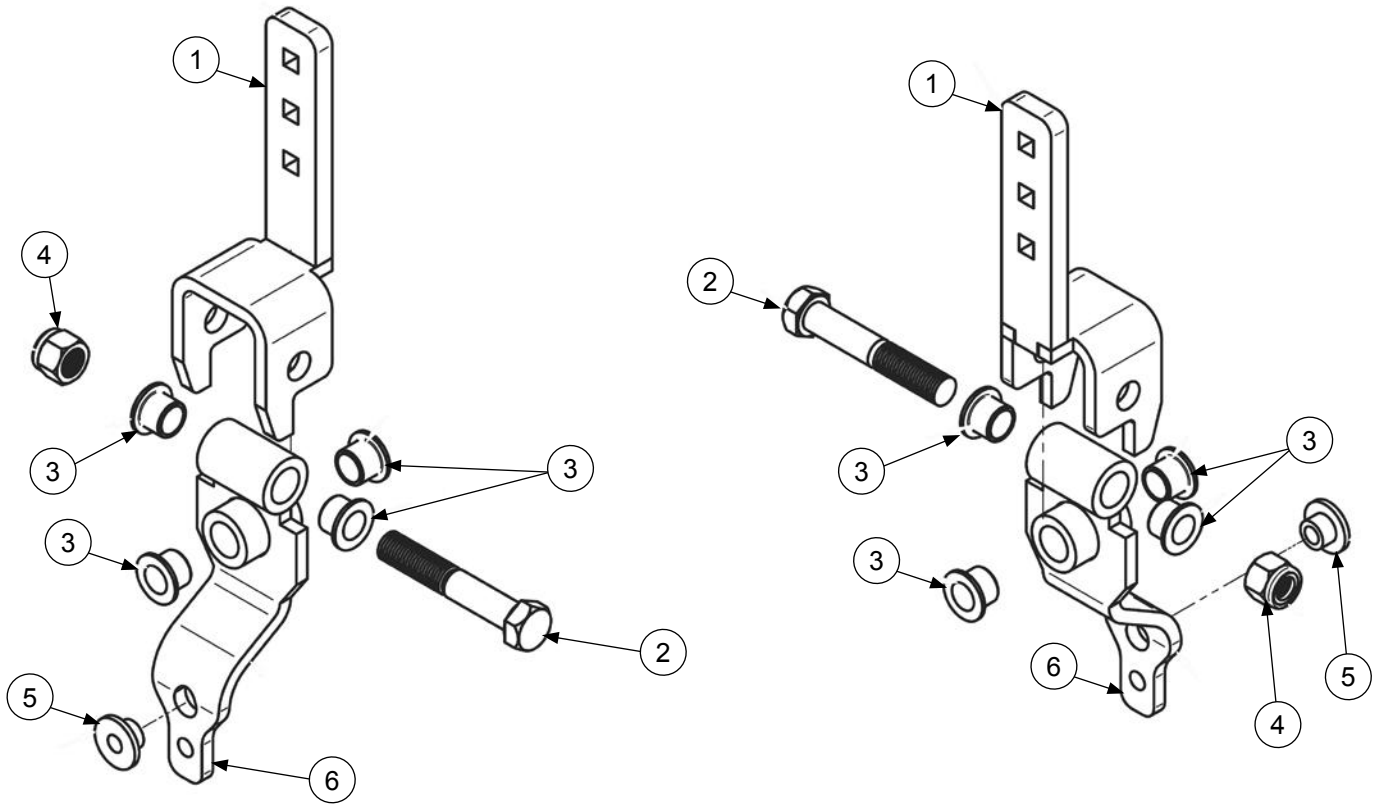
REF	PART#	DESCRIPTION	Qty
1	B-123	Bolt - 1/2-13X1-1/2 HHCS FT Gr.5 Zinc	2
2	B-348	Bolt - 1/2-13X3-1/4 HHCS PT Gr.5 Zinc	4
3	B-117	Bolt - 1/2-13X1-1/4 HHCS FT Gr.5 Zinc	2
4	W-109	Washer - 1/2 Flat	8

# Rear Tires and Wheels



REF	PART#	DESCRIPTION	Qty
1	N-113	Nut - 1/2 - 20 Wheel Lug	8
2	400745	Rim for 50" Machine	2
2A	400748	Rim for 60" Machine	2
3	400744	Tire for 50" Machine	2
3A	400747	Tire for 60" Machine	2
4	400743	Tire and Rim Assembly 50" Machine	
4A	400746	Tire and Rim Assembly 60" Machine	

# Steering Arms

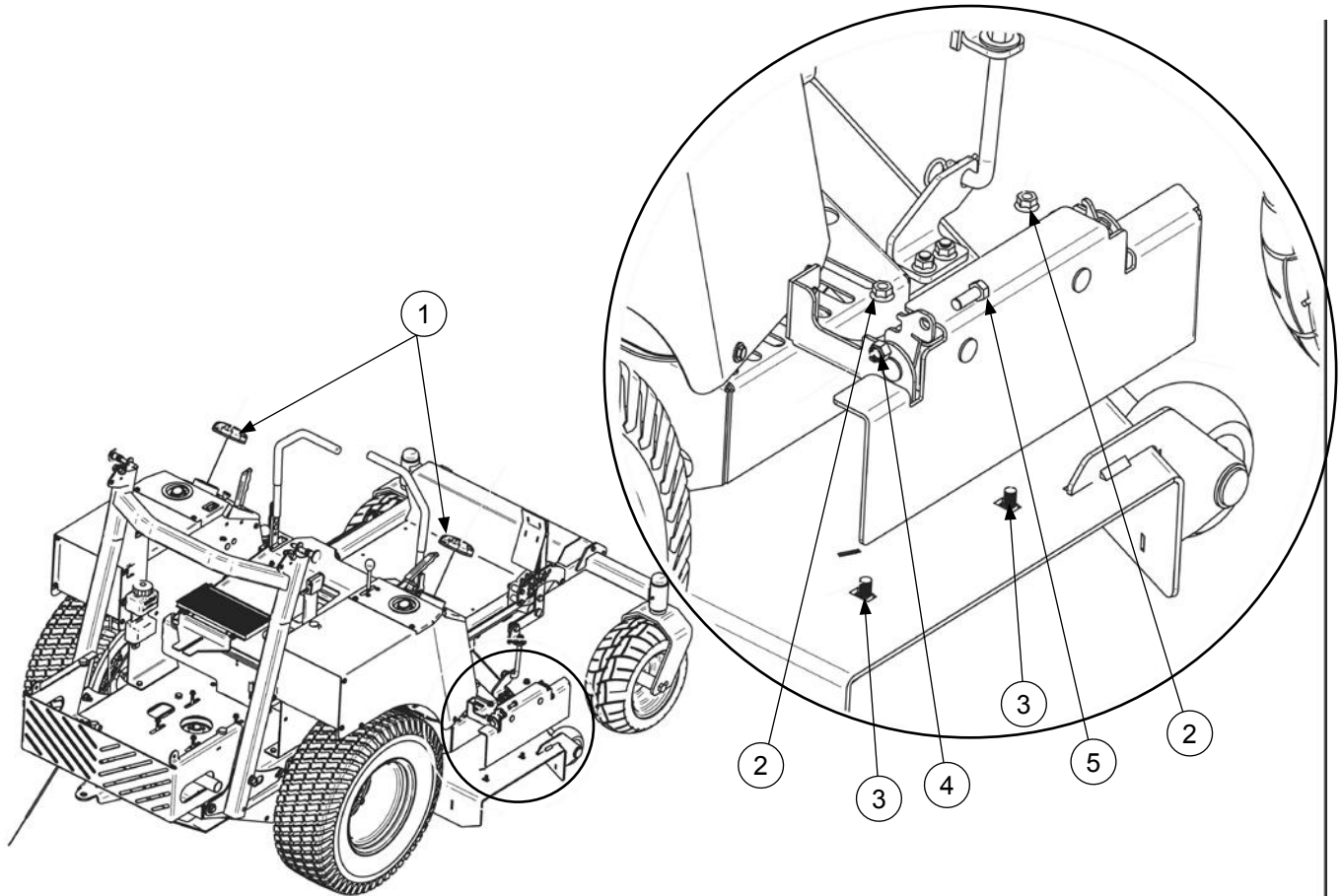


Part Quantity is for 1 Steering Arm

REF	PART#	DESCRIPTION	Qty
1	400774	Weld-Steering Black Zinc	1
2	B-119	Bolt - 1/2-13X3 HHCS PT Gr.5 Zinc	1
3	400671	Bushing-Plastic .500IDX.625ODX.625L	4
4	N-143	Nut - 1/2 - 13 Nyloc	1
5	20222	Bushing - Nylon .312 ID	1
6	400665	Weld-Steering Arm Black Zinc	1

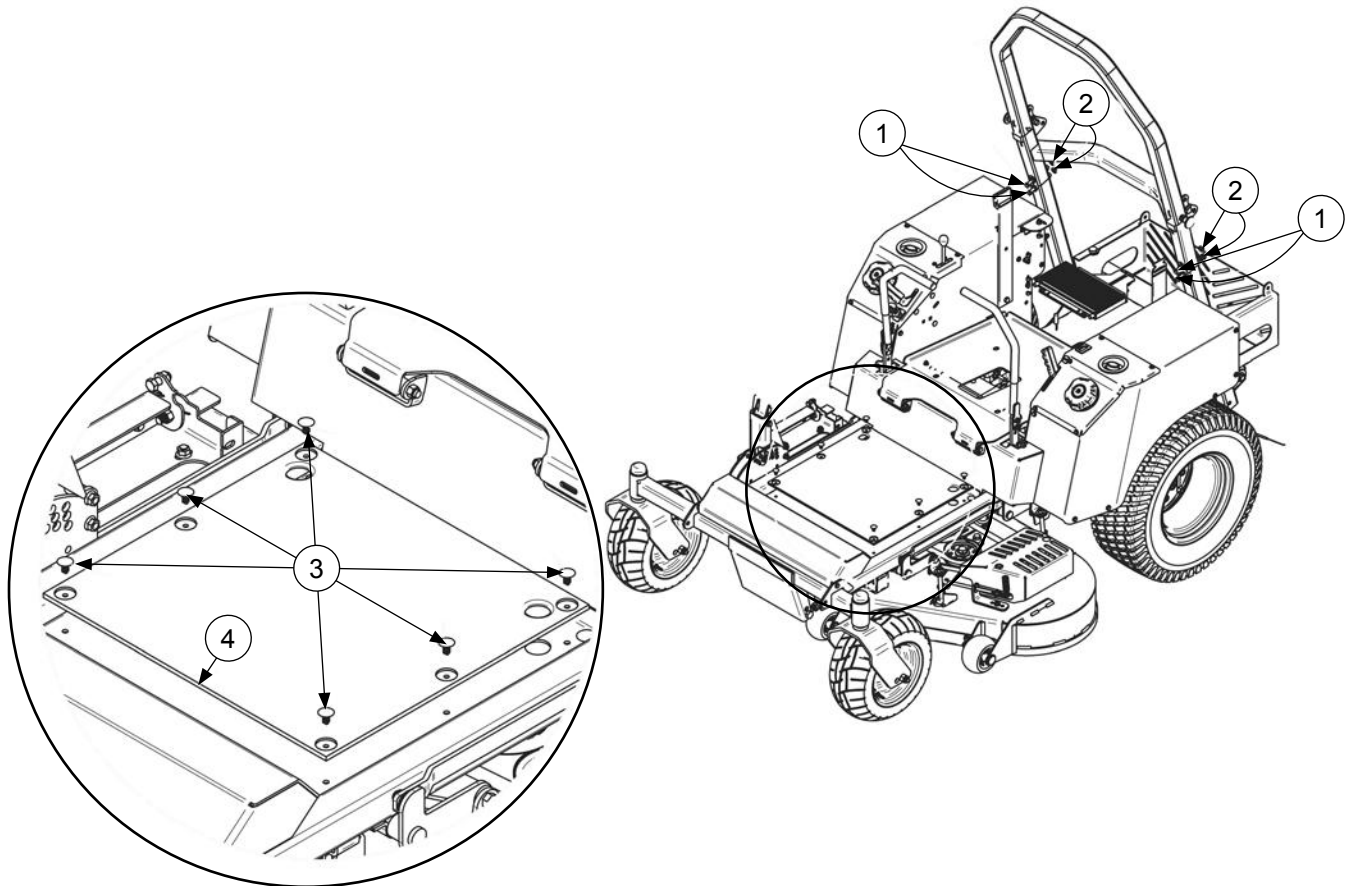


# Fuel Caps and OCDC Attachment



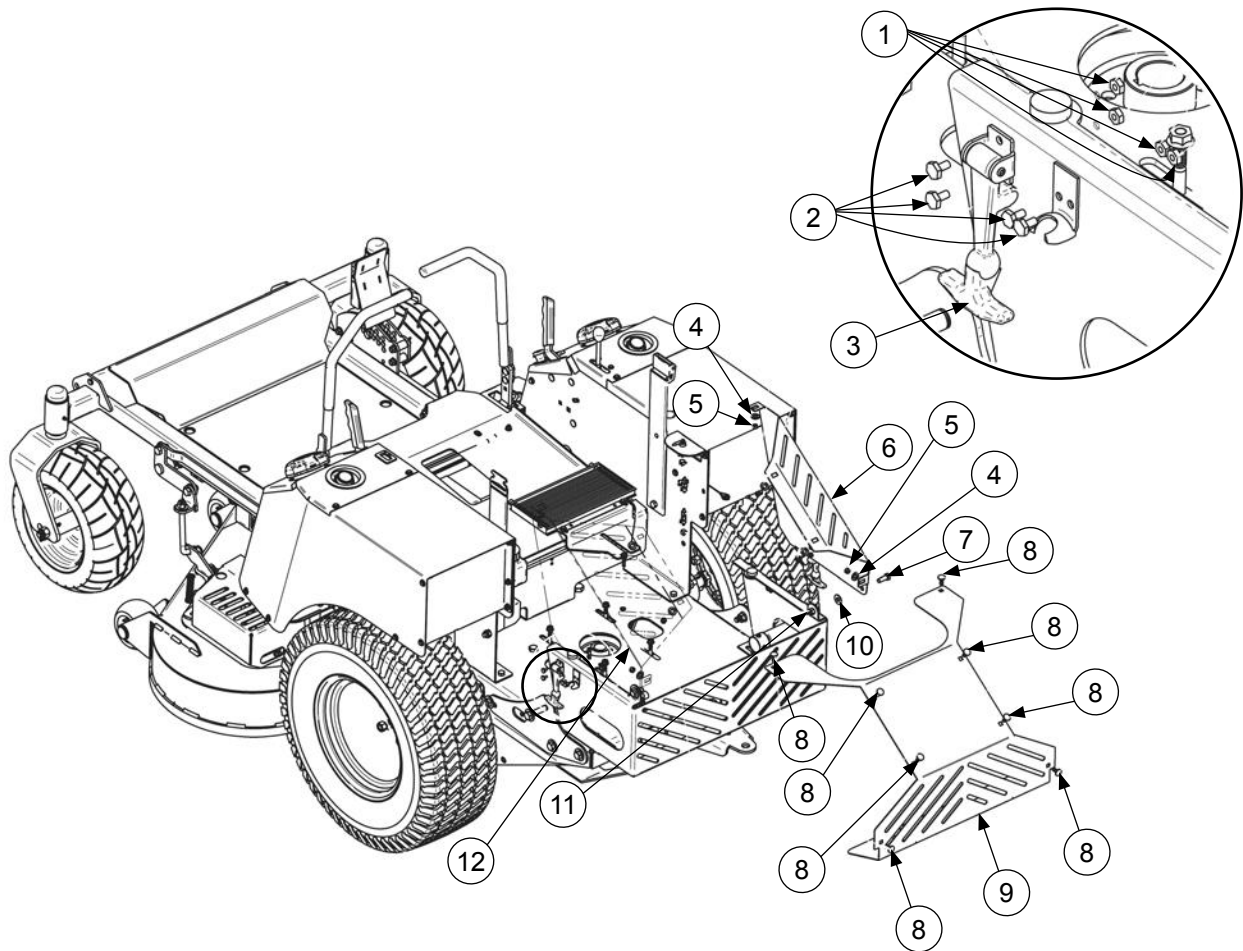
REF	PART#	DESCRIPTION	Qty
1	400885	Cap-Tank Fuel 3.5 Ratchet	2
2	N-108	Nut - 3/8"-16 Whiz	2
3	B-110	Bolt - 3/8-16X3/4 CARR FT Gr.5 Zinc	2
4	N-107	Nut-3/8"-16 Nyloc	1
5	B-108	Bolt - 3/8-16X1 HHCS FT Gr.5 Zinc	1

# Rubber Mat and Upper Roll Bar



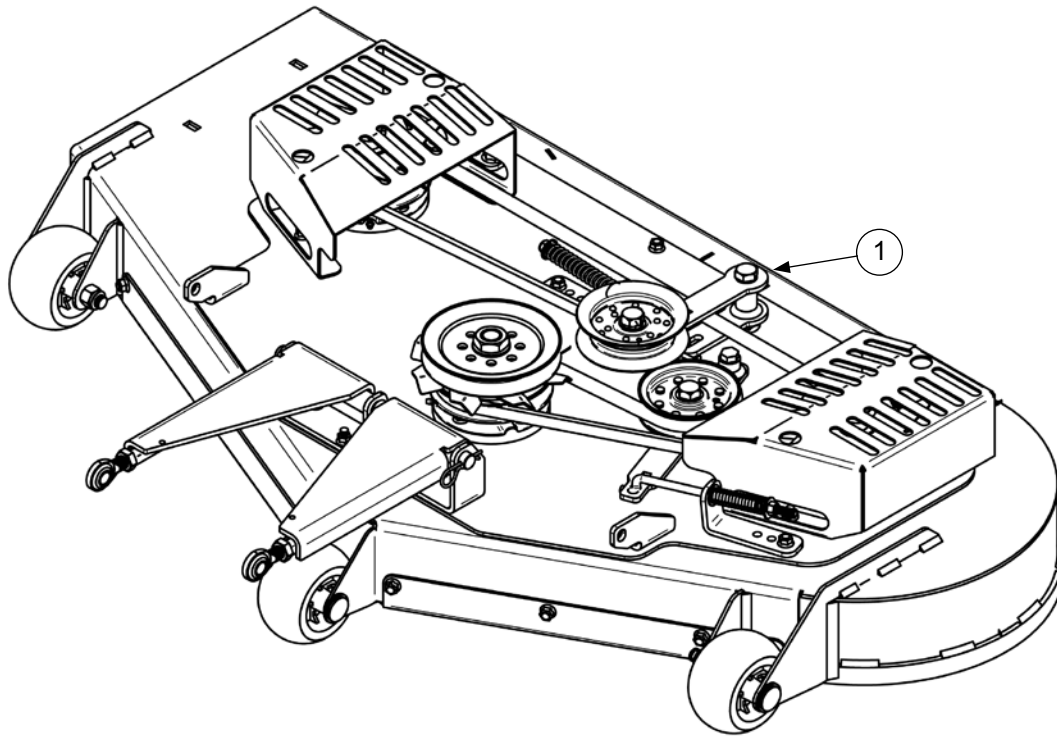
REF	PART#	DESCRIPTION	Qty
1	B-140	Bolt - 3/8-16X3 HHCS PT Gr.5 Zinc	4
2	N-206	Nut - 3/8-16 Reg Flange Top Zinc	4
3	C-123	Clip - 3/4 OAL	6
4	400422	Mat - Pan Floor	1

# Engine Guard Upper



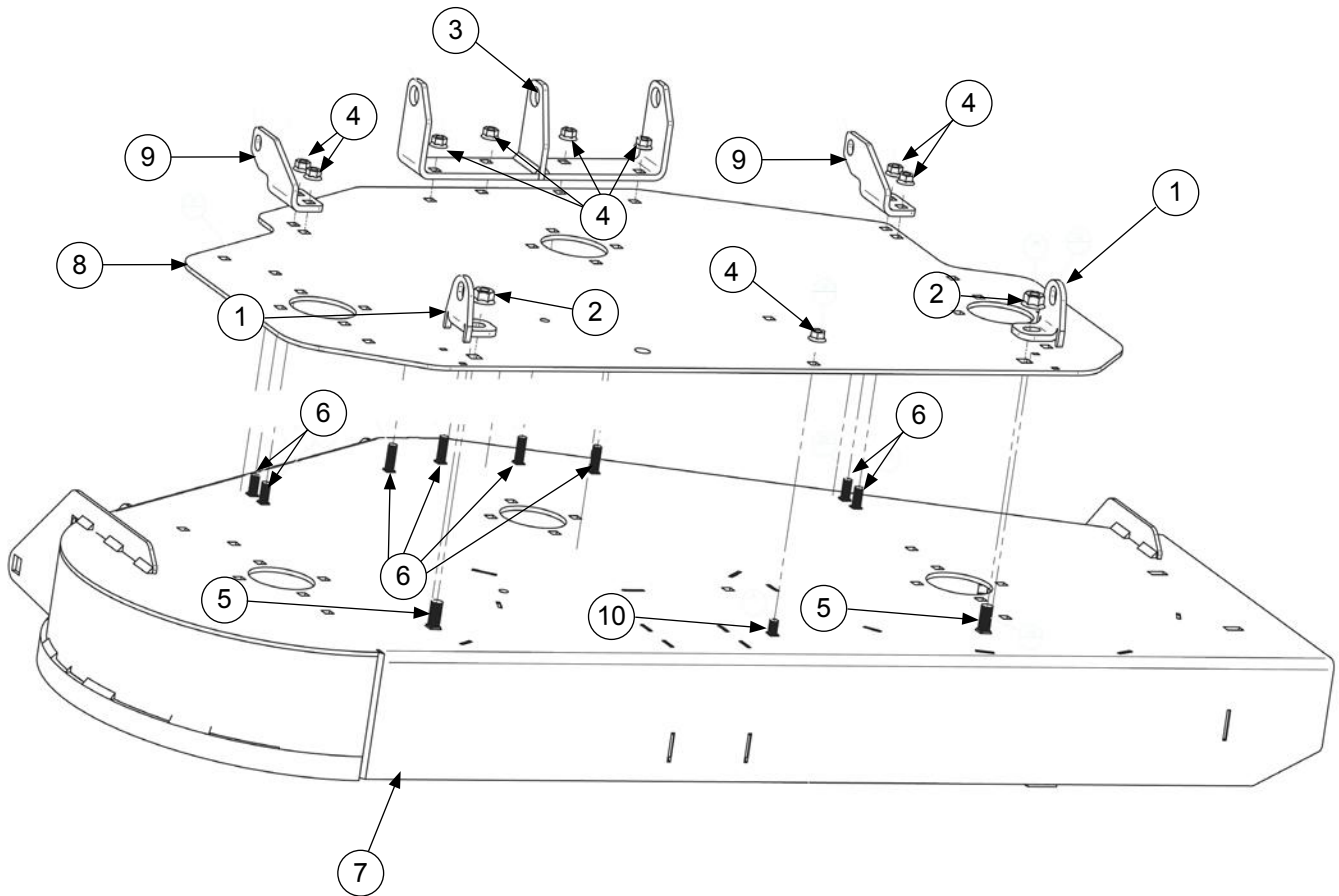
REF	PART#	DESCRIPTION	Qty
1	N-169	Nut - #10 - 24 HH w/Star Washer	4
2	B-289	Bolt - #10-24X1/2 Indented HHCS FT Zinc	4
3	97386	Latch - Draw Radiator	2
4	W-104	Washer - 3/8 Flat	2
5	N-131	Nut - 5/16 - 18 Nyloc	2
6	400770	Bracket-Guard Engine RH Black	1
7	B-108	Bolt - 3/8-16X1 HHCS FT Gr.5 Zinc	2
8	B-104	Bolt - 5/16-18X3/4 CARR FT Gr.5 Zinc	8
9	400826	Bracket-Guard Engine Black	1
10	W-125	Washer - 3/8 x 7/8 Nylon	2
11	N-107	Nut-3/8"-16 Nyloc	2
12	400769	Bracket-Guard Engine LH Black	1

# 50" Deck Assembly



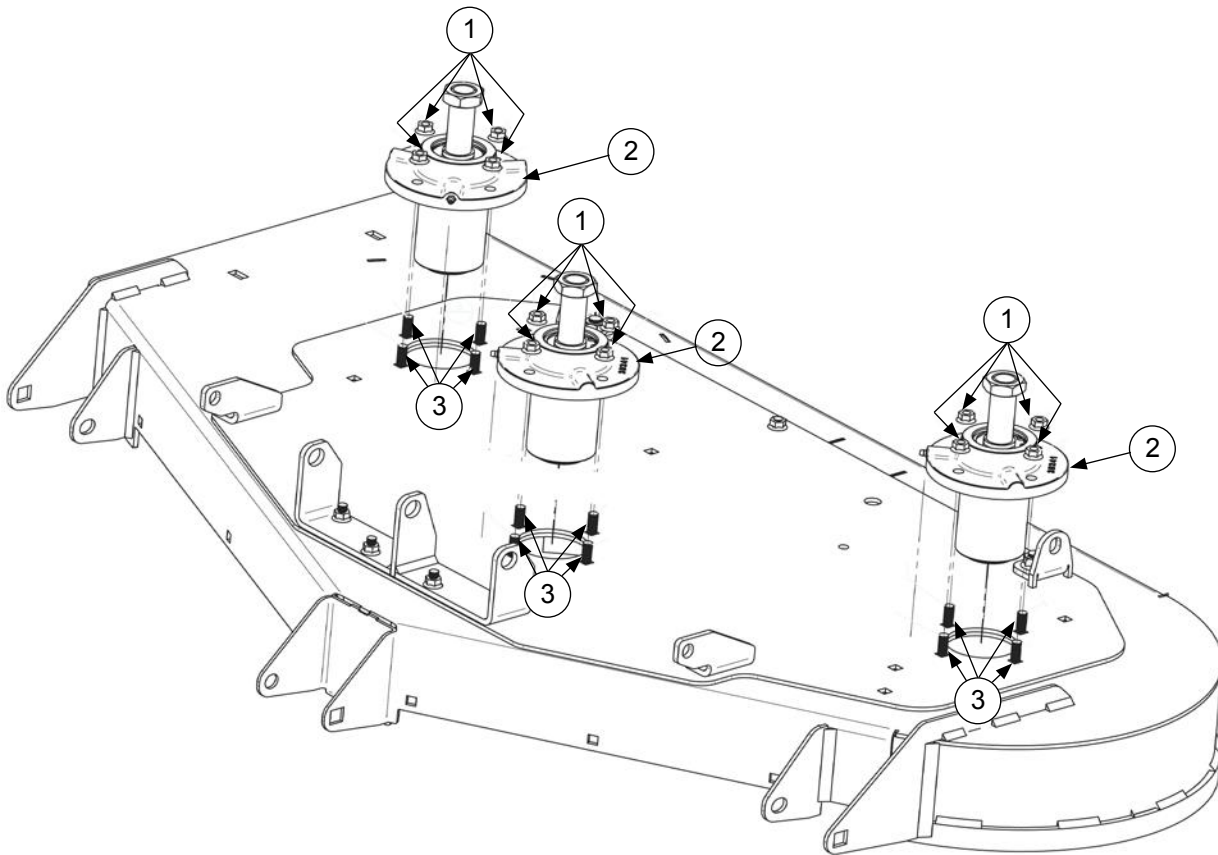
REF	PART#	DESCRIPTION	Qty
1	300780	Complete 50" Deck	1

# Top Plate and Hardware



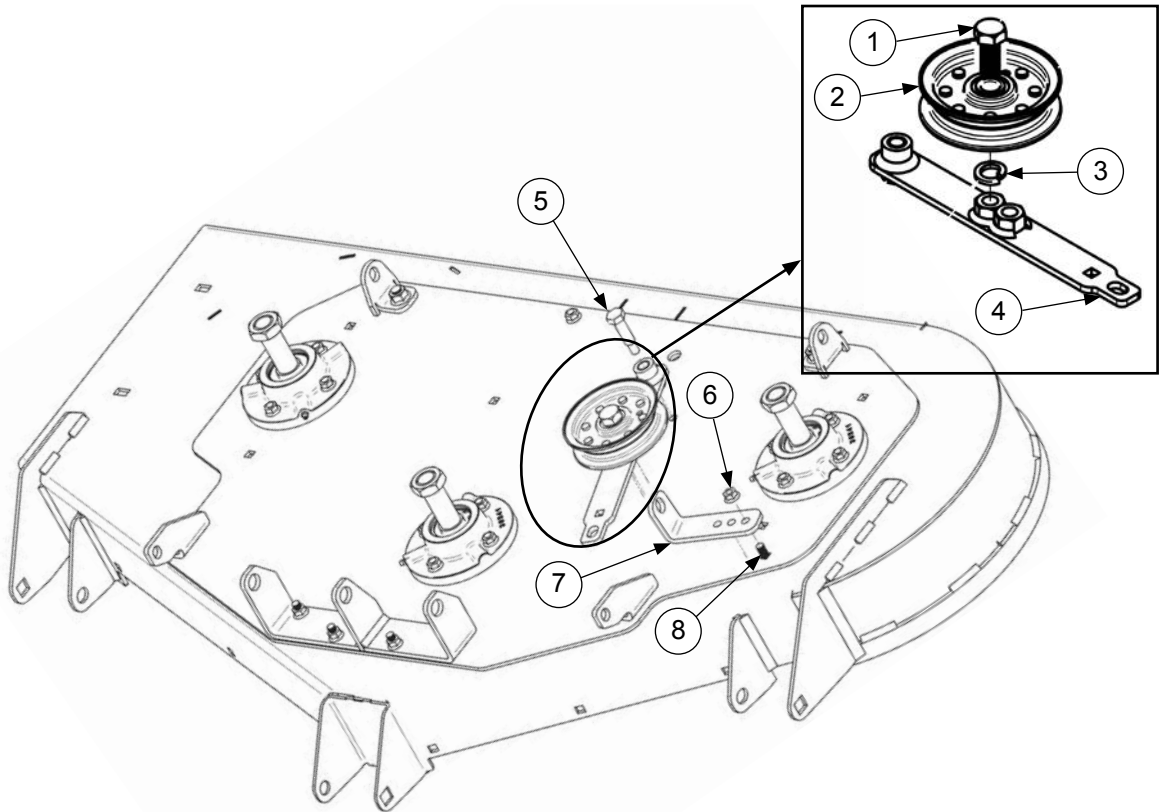
REF	PART#	DESCRIPTION	Qty
1	300703	Rear Deck Lift Brackets	2
2	N-157	1/2 - 13 Flange Nut	2
3	300701	Deck Stabilizer Bracket	1
4	N-108	3/8 - 16 Flange Nut	8
5	B-353	1/2 - 13 X 1 1/4 Carriage Bolt	2
6	B-136	3/8 - 16 X 1 1/4 Carriage Bolt	8
7	300756	Deck Shell (Bare)	1
8	300755	Top Plate	1
9	300753	Front Deck Lift Brackets	2
10	B-110	3/8 - 16 X 3/4 Carriage Bolt	1

# Spindles



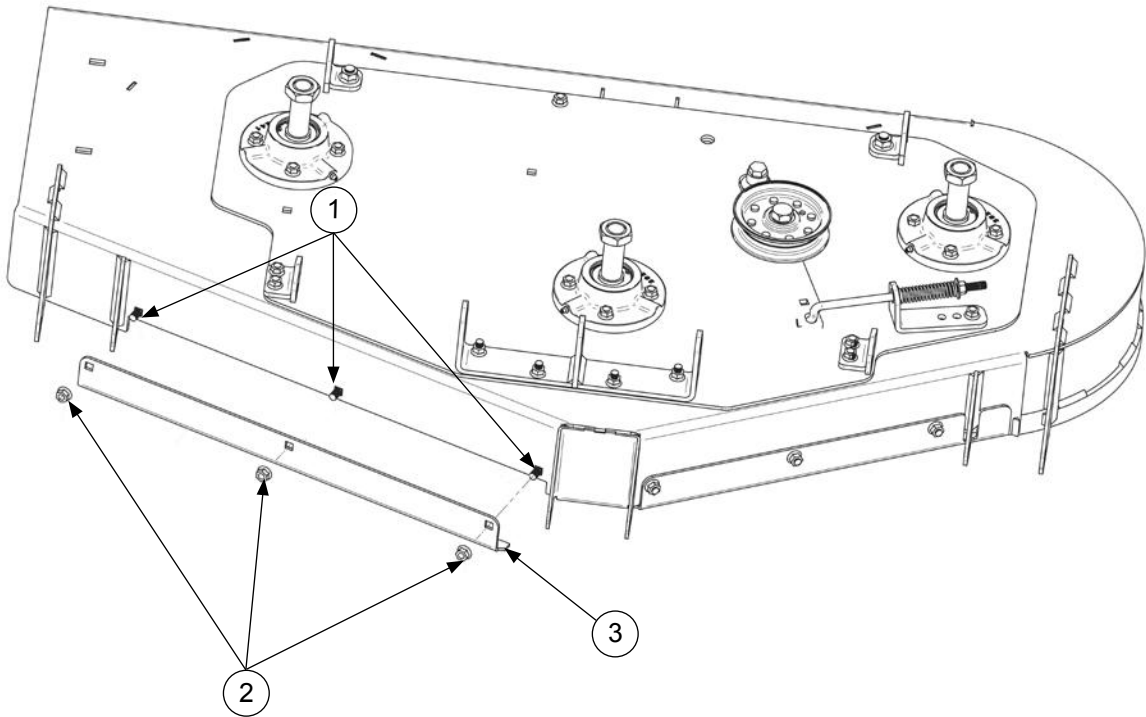
REF	PART#	DESCRIPTION	Qty
1	N-108	3/8 - 16 Flange Nut	12
2	300441	Complete Deck Hub (Short)	3
3	B-136	3/8 - 16 X 1 1/4 Carriage Bolt	12

# Spindle Belt Idler



REF	PART#	DESCRIPTION	Qty
1	B-264	5/8 - 11 X 1 1/2 Bolt	1
2	30224	Flat Idler	1
3	W-111	5/8 Lock Washer	1
4	300510	Deck Idler	1
5	B-118	1/2 - 13 X 2 1/4 Shoulder Bolt	1
6	N-108	3/8 - 16 Flange Nut	1
7	300393	Spring Bracket	1
8	B-135	3/8 - 16 X 1 Carriage Bolt	1

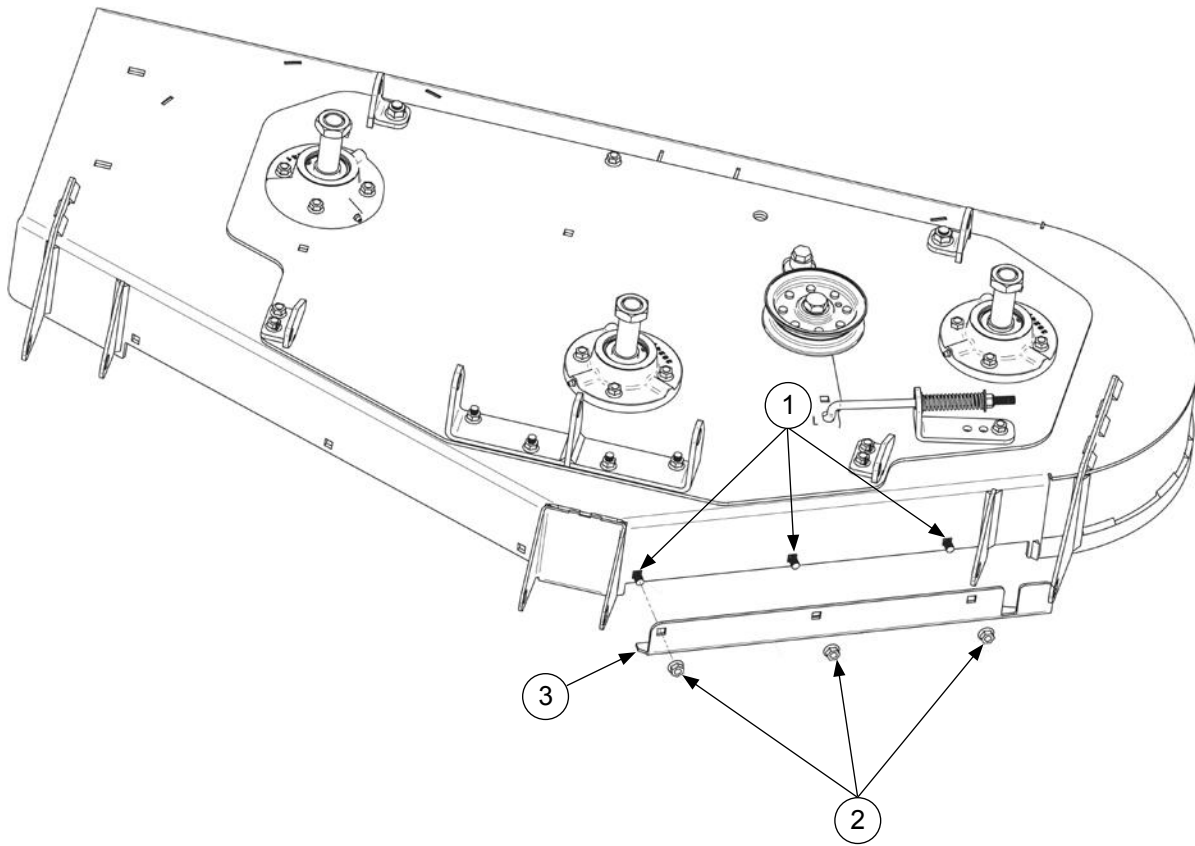
# Right Baffle



REF	PART#	DESCRIPTION	Qty
1	B-110	3/8 - 16 X 3/4 Carriage Bolt	3
2	N-108	3/8 - 16 Flange Nut	3
3	300750	Baffle Right Side	1

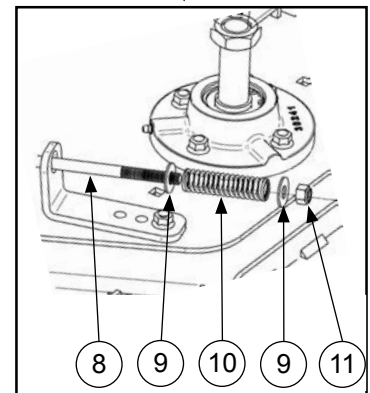
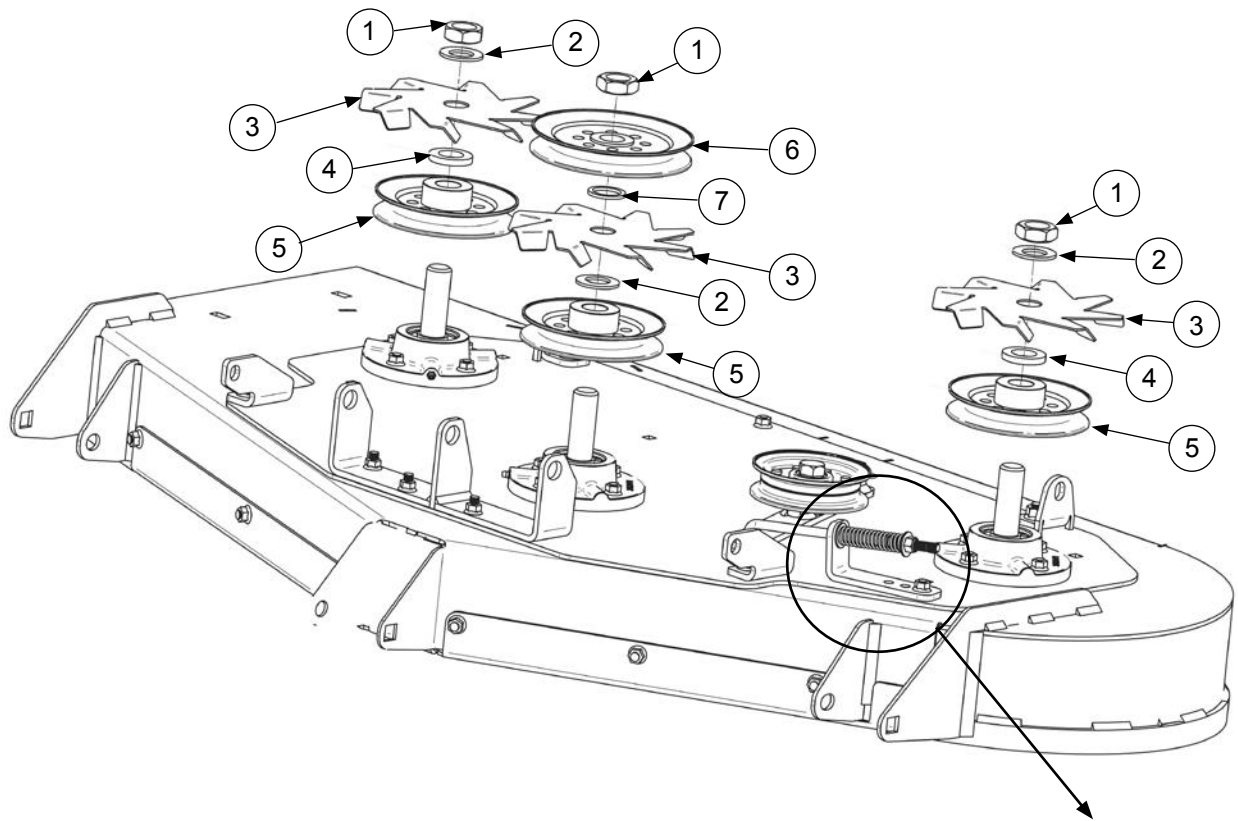


# Left Baffle



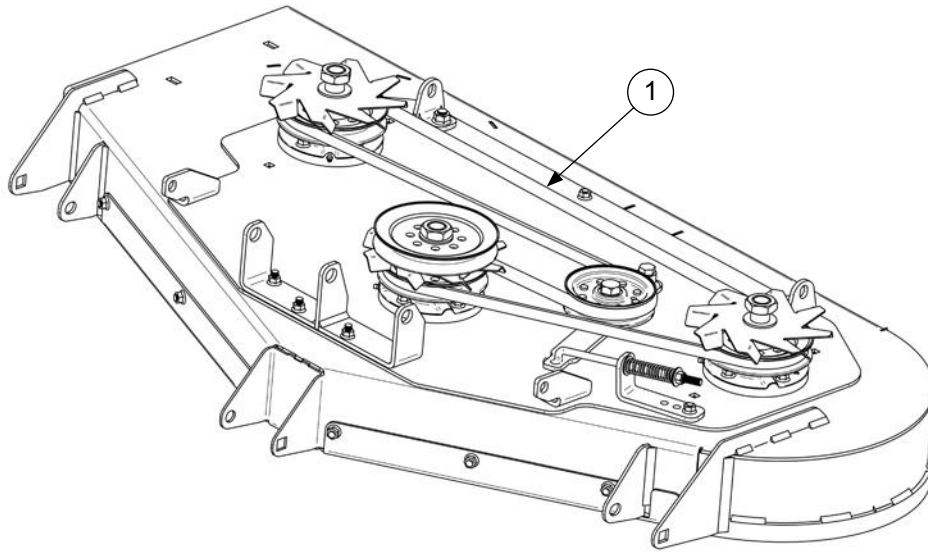
REF	PART#	DESCRIPTION	Qty
1	B-110	3/8 - 16 X 3/4 Carriage Bolt	3
2	N-108	3/8 - 16 Flange Nut	3
3	300751	Baffle Left Side	1

# Pulleys, Fans Idler Spring



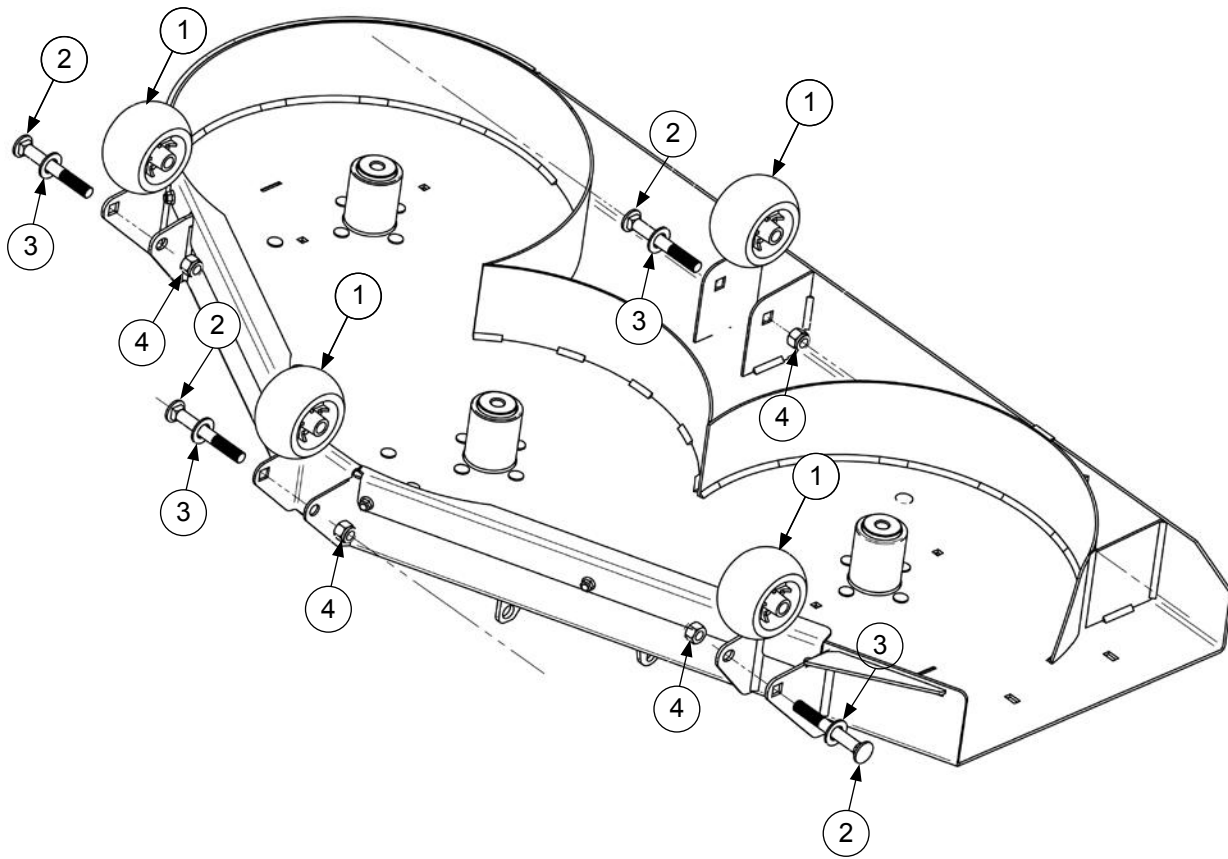
REF	PART#	DESCRIPTION	Qty
1	N-167	1 - 14 Nut	3
2	W-137	1 ID X 2 OD Bellville Washer	3
3	300058	Fan (Includes Danger Decal 800056)	3
4	W-146	1 ID X 1 3/4 OD Washer	2
5	9907525X100S	Pulley (Split)	3
6	300059	Pulley	1
7	W-131	1 ID X 1 1/2 OD X 1/8 Washer	1
8	300184	Deck Idler Tension Rod	1
9	W-104	3/8 Flat Washer	2
10	68280	Spring	1
11	N-107	3/8 - 16 Nylon Lock Nut	1

# Belt



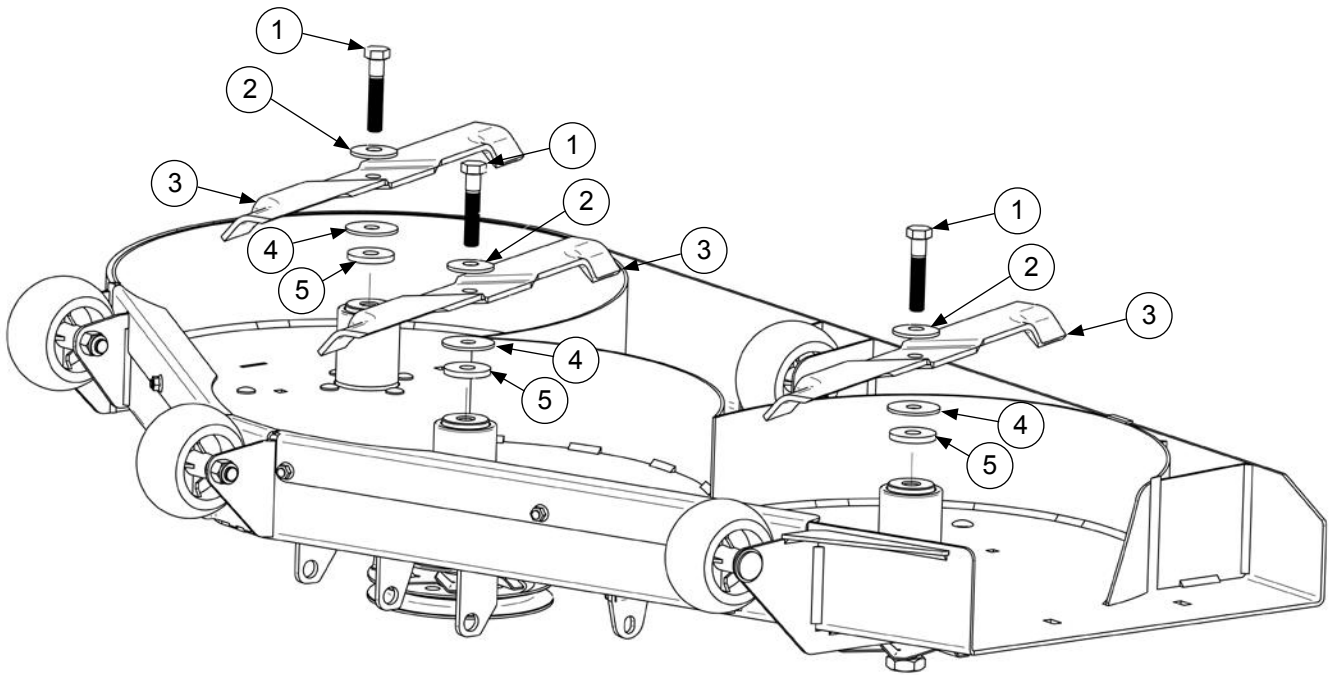
REF	PART#	DESCRIPTION	Qty
1	2006B112R	Spindle Drive Belt	1

# Rollers



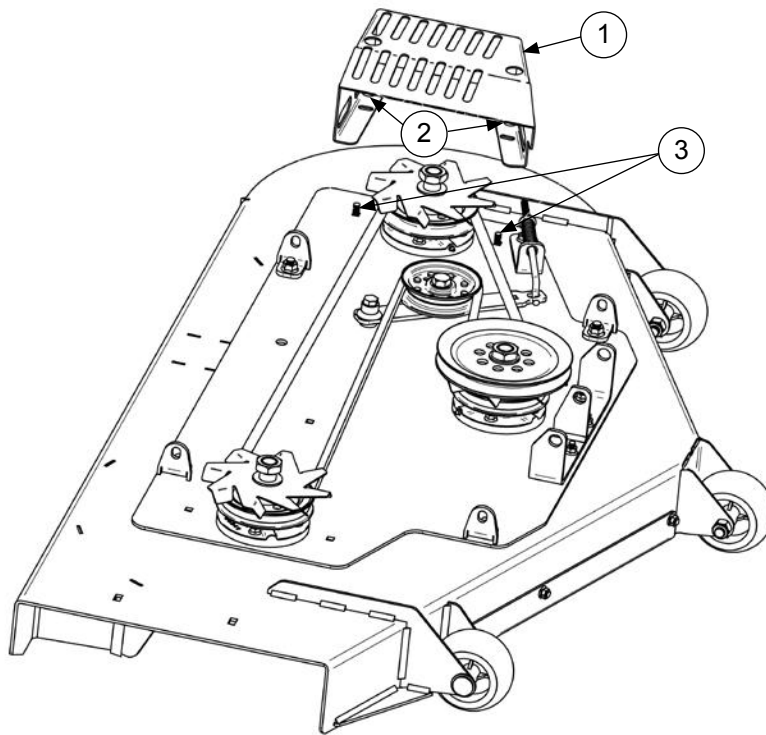
REF	PART#	DESCRIPTION	Qty
1	300365	Anti Scalp Roller	4
2	B-278	5/8 - 11 X 5 Carriage Bolt	4
3	W-188	Flat Washer 3/4	4
4	N-115	5/8 - 11 Nylon Lock Nut	4

# Blades and Hardware



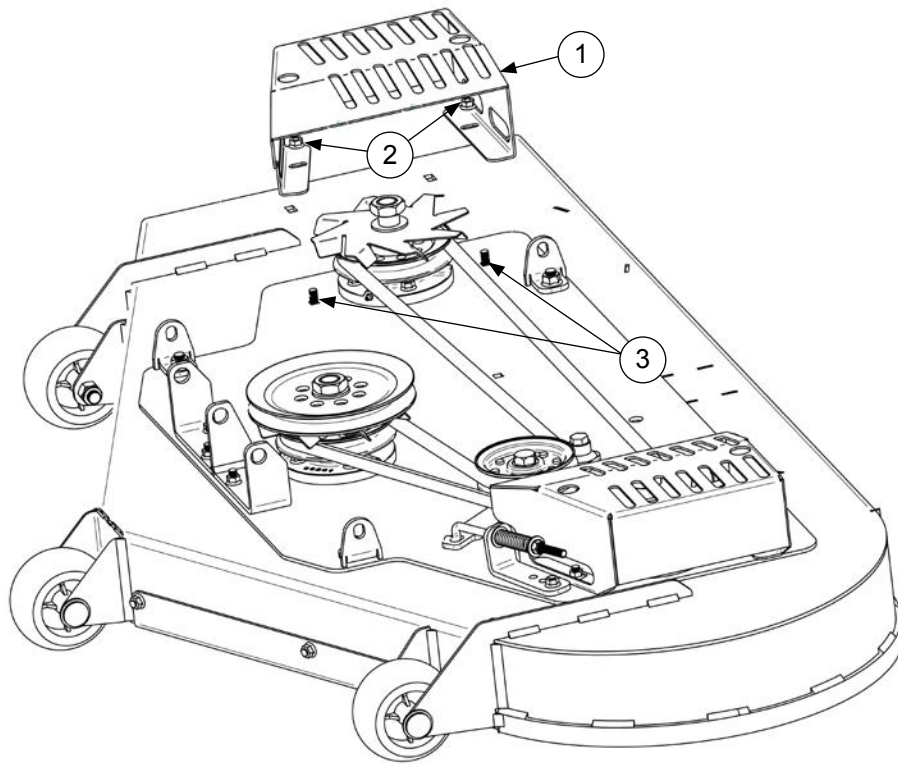
REF	PART#	DESCRIPTION	Qty
1	B-121-L	5/8 - 18 X 3 Blade Bolt	3
2	W-100	5/8 ID X 2 OD Bellville Washer	3
3	30227-52X	Blade X Style	3
4	W-101	5/8 ID X 2 1/4 OD Fiber Washer	3
5	W-182	.656 ID X 2 OD X 1/4 Blade Spacer	3

# Left Side Pulley Guard



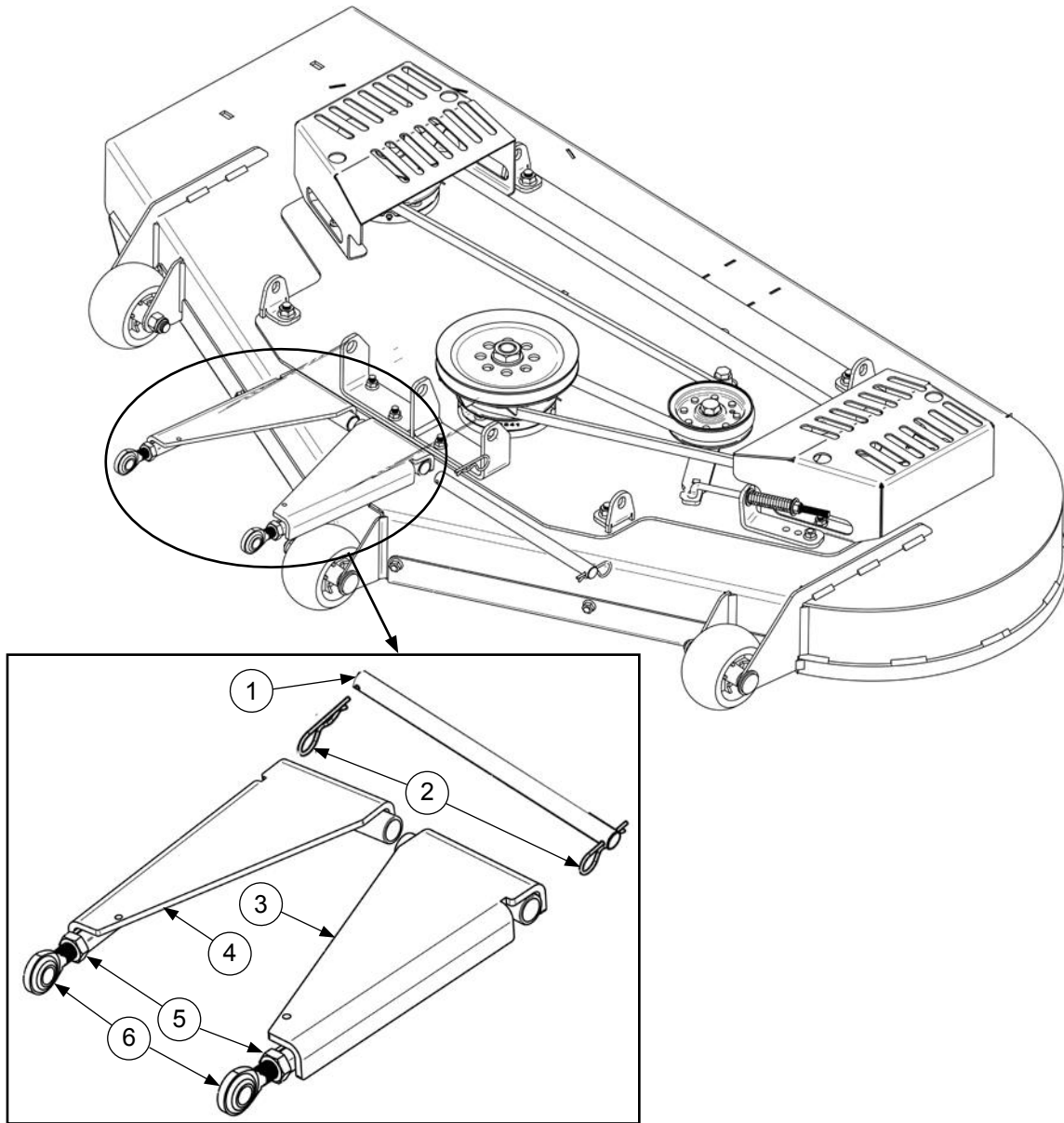
REF	PART#	DESCRIPTION	Qty
1	300707	Left Pulley Guard	1
2	N-108	3/8 - 16 Flange Nut	2
3	B-135	3/8 - 16 X 1 Carriage Bolt	2

# Right Side Pulley Guard



REF	PART#	DESCRIPTION	Qty
1	300706	Right Pulley Guard	1
2	N-108	3/8 - 16 Flange Nut	2
3	B-135	3/8 - 16 X 1 Carriage Bolt	2

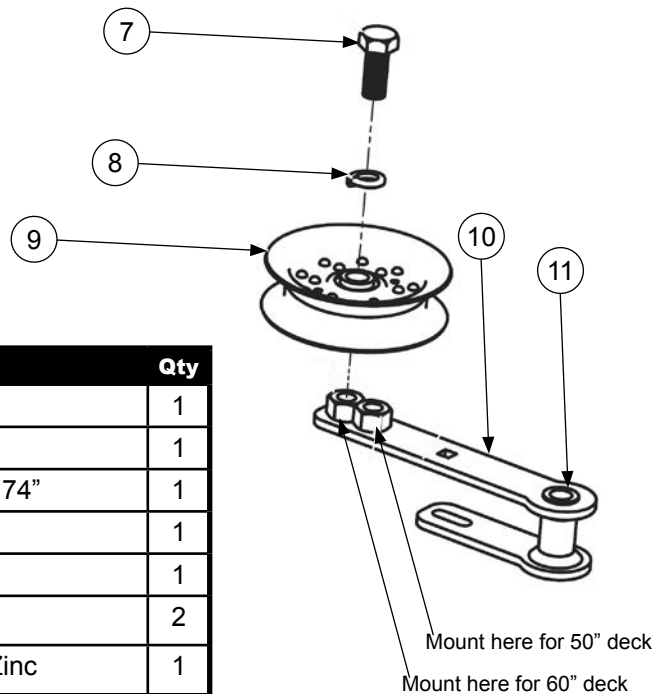
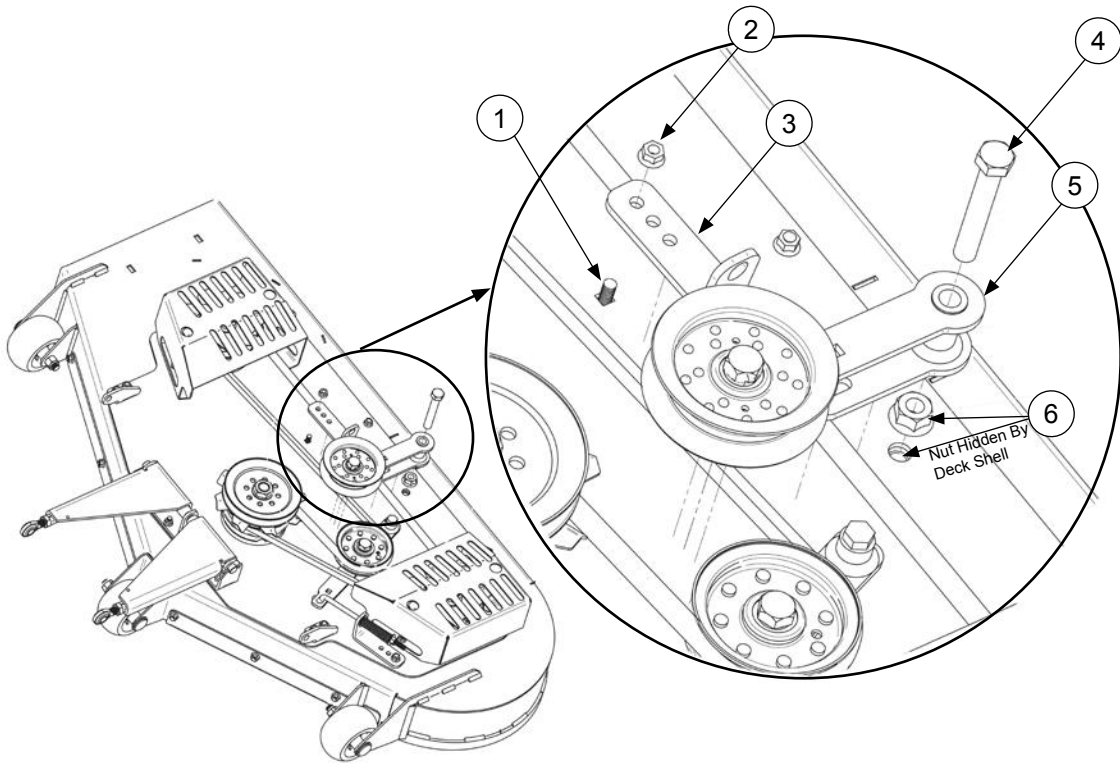
# Deck Stabilizer



REF	PART#	DESCRIPTION	Qty
1	300050	Deck Stabilizer Rod	1
2	30213	Clip (Hair Pin)	2
3	300473	Left Deck Stabilizer	1
4	300472	Right Deck Stabilizer	1
5	N-191	5/8 Jam Nut	2
6	900070	Hyme Joint	2

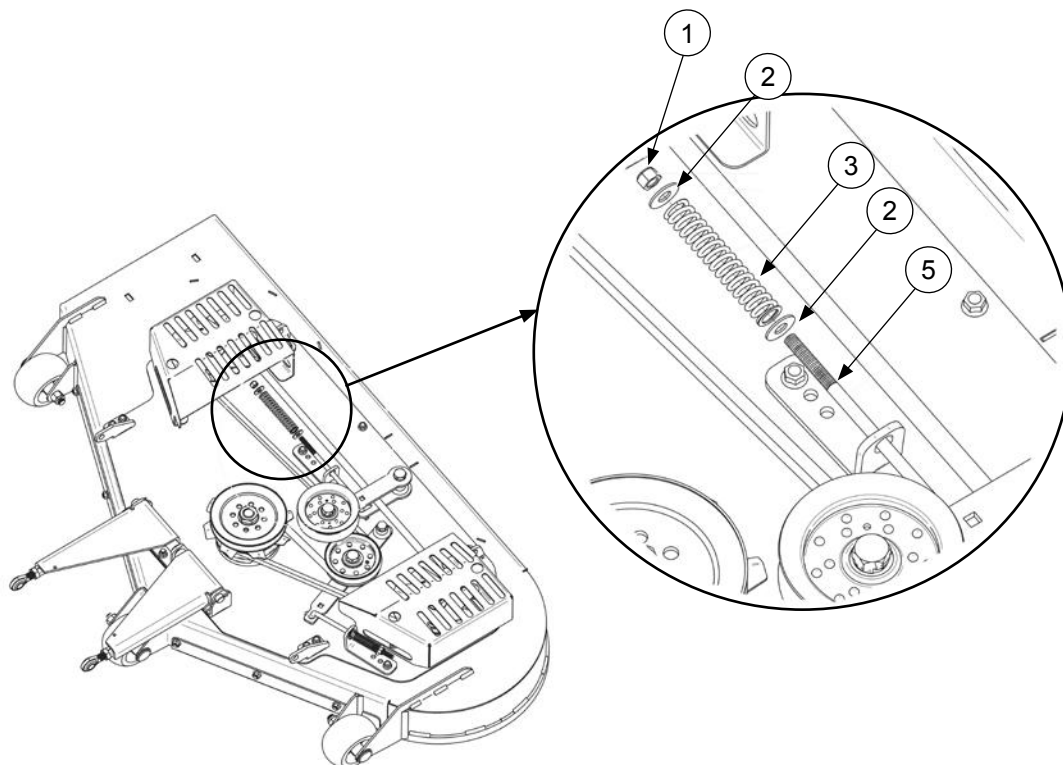


# Engine to Deck Idler



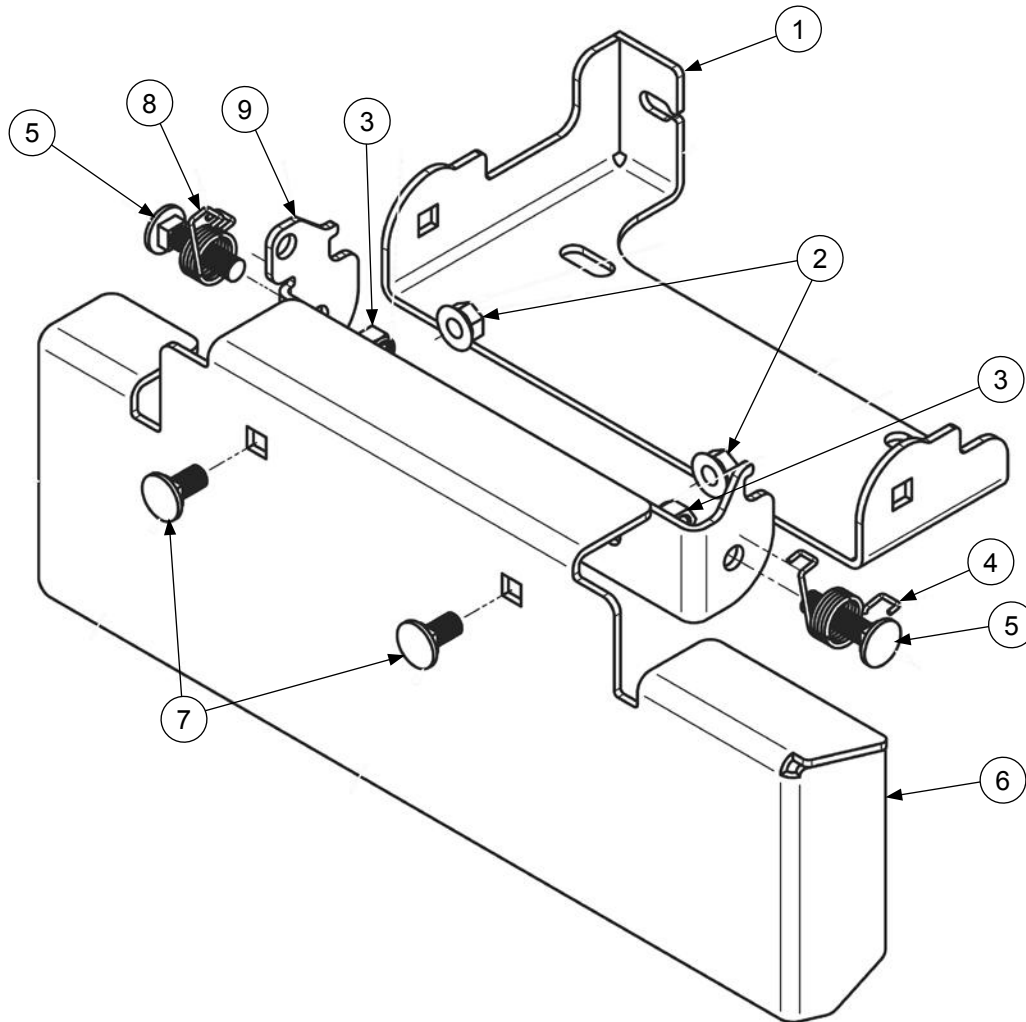
REF	PART#	DESCRIPTION	Qty
1	B-135	Bolt - 3/8-16X1 CARR FT Gr.5 Zinc	1
2	N-108	Nut - 3/8"-16 Whiz	1
3	300393	Bracket - Tension Spring Idler Deck 74"	1
4	B-309	Bolt - 5/8-11X4 HHCS PT Gr. 5 Zinc	1
5	100412	Idler Assembly	1
6	N-195	Nut - 5/8 - 11 Whiz Flange	2
7	B-264	Bolt - 5/8-11X1-1/2 HHCS FT Gr.5 Zinc	1
8	W-111	Washer - 5/8 Lock	1
9	300401	Pulley - 4.00" Flat Idler Deep Deck	1
10	100411	Weld-Arm Idler Black	1
11	400697	Bushing-Plastic .625IDX.750ODX1.00L	2

# Engine to Deck Idler Tension Spring



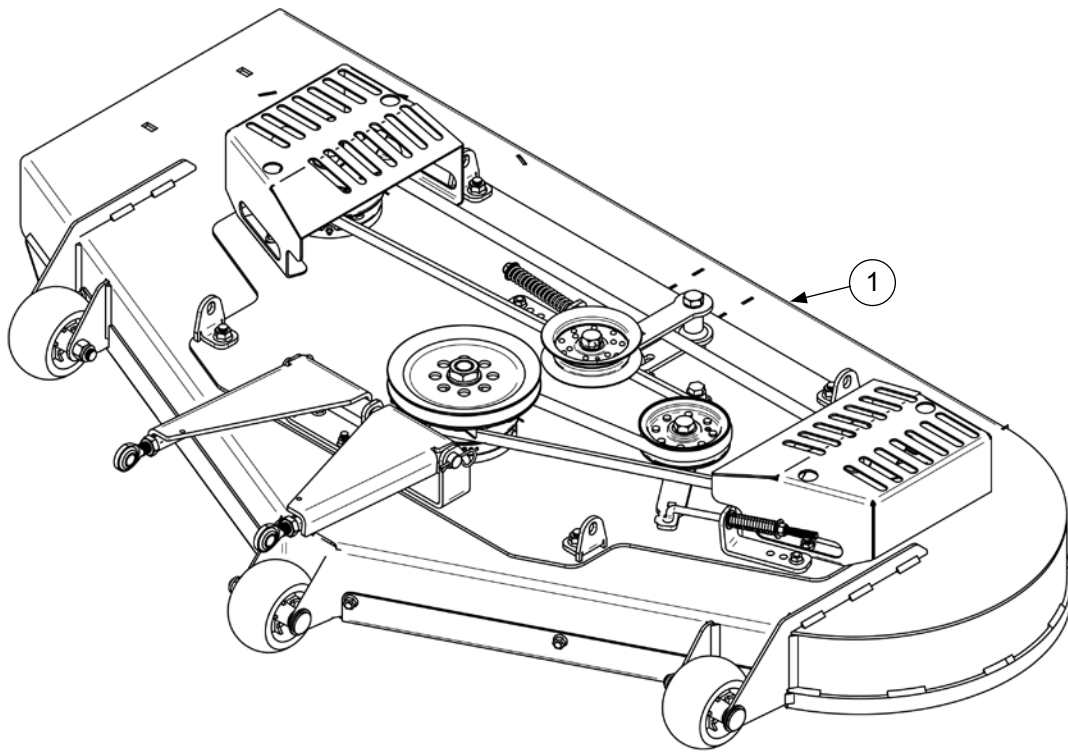
REF	PART#	DESCRIPTION	Qty
1	N-107	Nut-3/8"-16 Nyloc	1
2	W-104	Washer - 3/8 Flat	2
3	97390	Spring - Diesel Engaging 40LB	1
4	300184	Rod - Deck Idler Tension (34LT, 44LT)	1

# Complete 50 OCDC



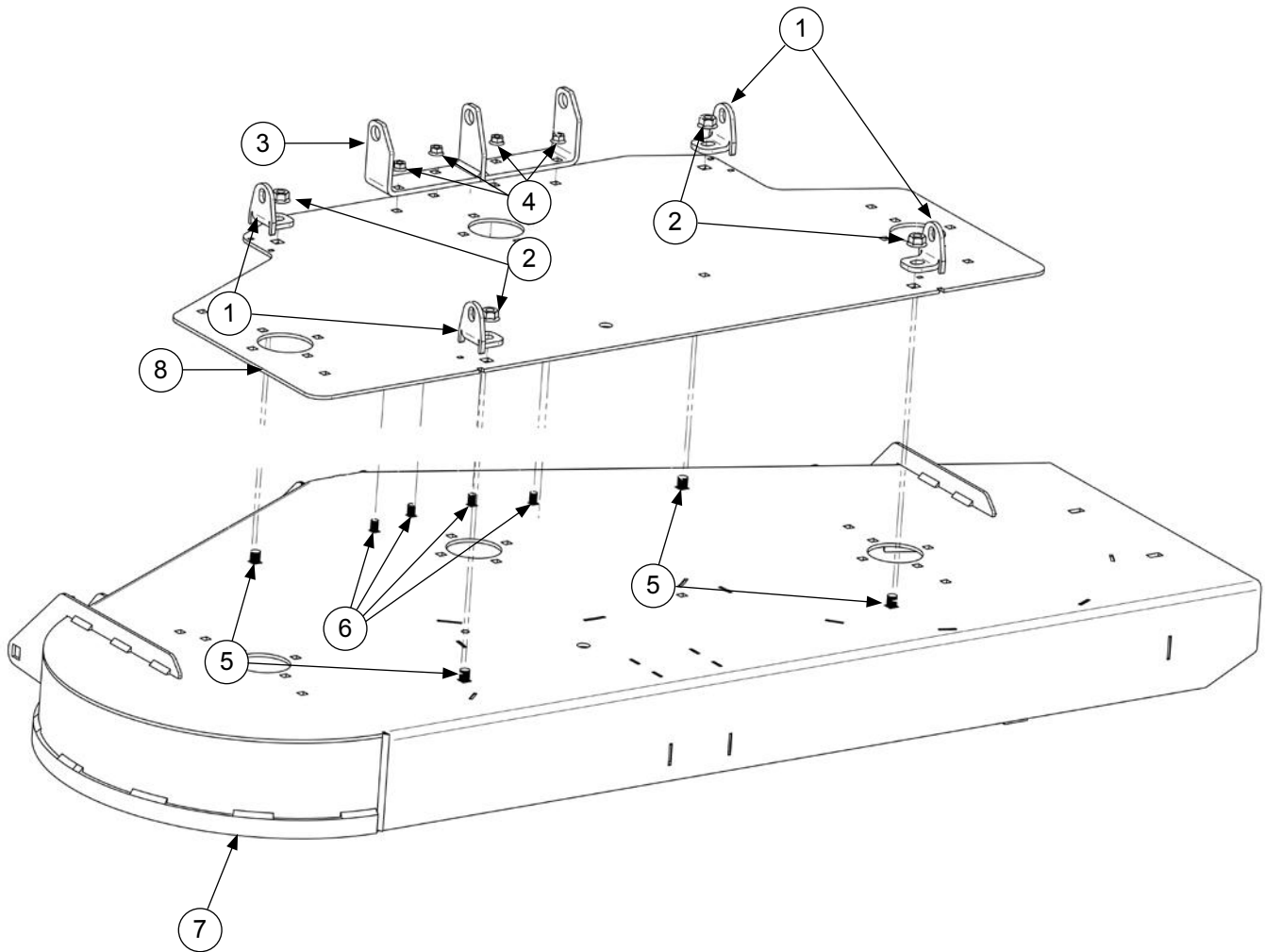
REF	PART#	DESCRIPTION	Qty
1	300766	Bracket-Base OCDC Black	1
2	N-108	Nut - 3/8"-16 Whiz	2
3	N-107	Nut-3/8"-16 Nyloc	2
4	200264	Spring - Tortion IE RH	1
5	B-190	Bolt - 3/8-16X1-1/2 CARR FT Gr.5 Zinc	2
6	300772	Bracket-Cover OCDC 50 Black	1
7	B-110	Bolt - 3/8-16X3/4 CARR FT Gr.5 Zinc	2
8	200263	Spring - Tortion IE LH	1
9	300770	Bracket-Hinge OCDC Black	1

# 60" Deck Assembly



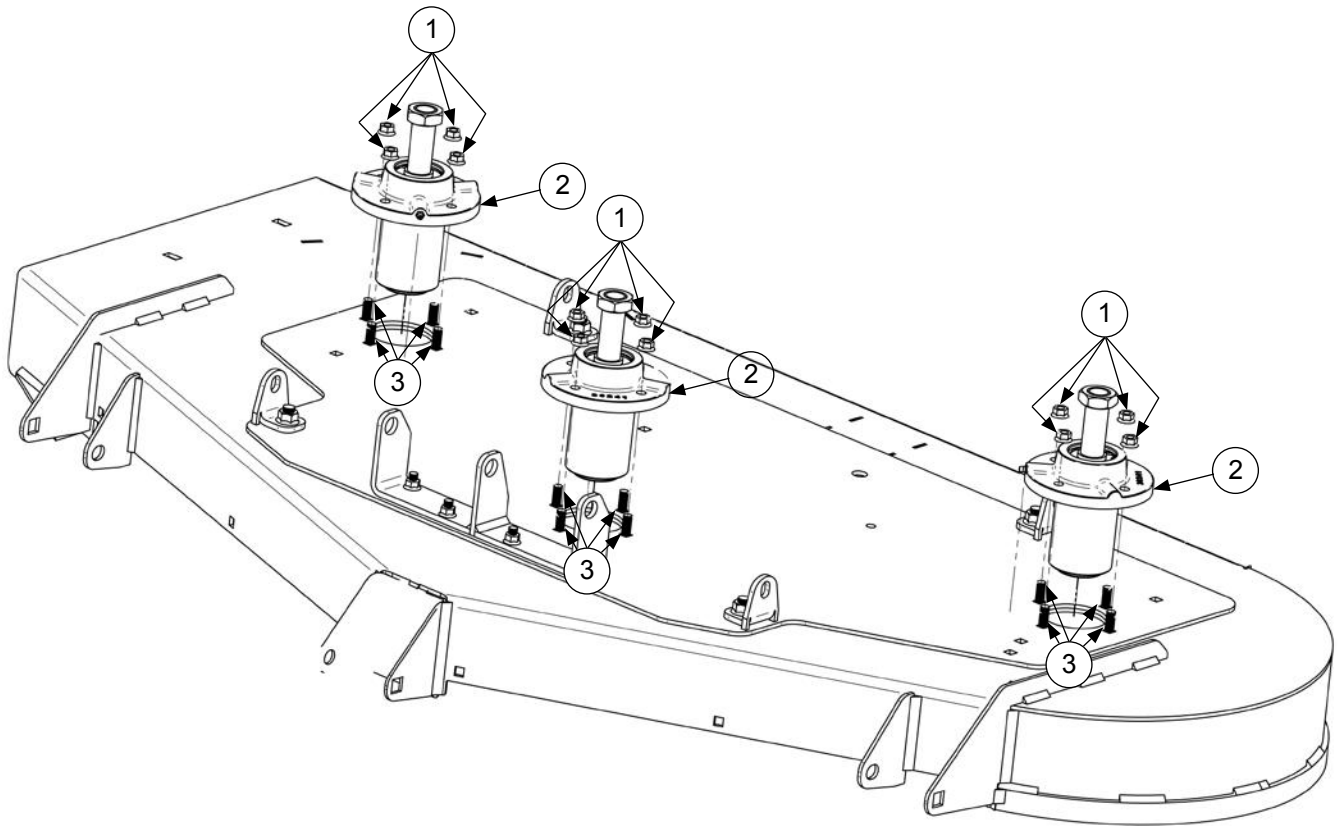
REF	PART#	DESCRIPTION	Qty
1	300779	Complete 60" Deck	1

# Top Plate and Hardware



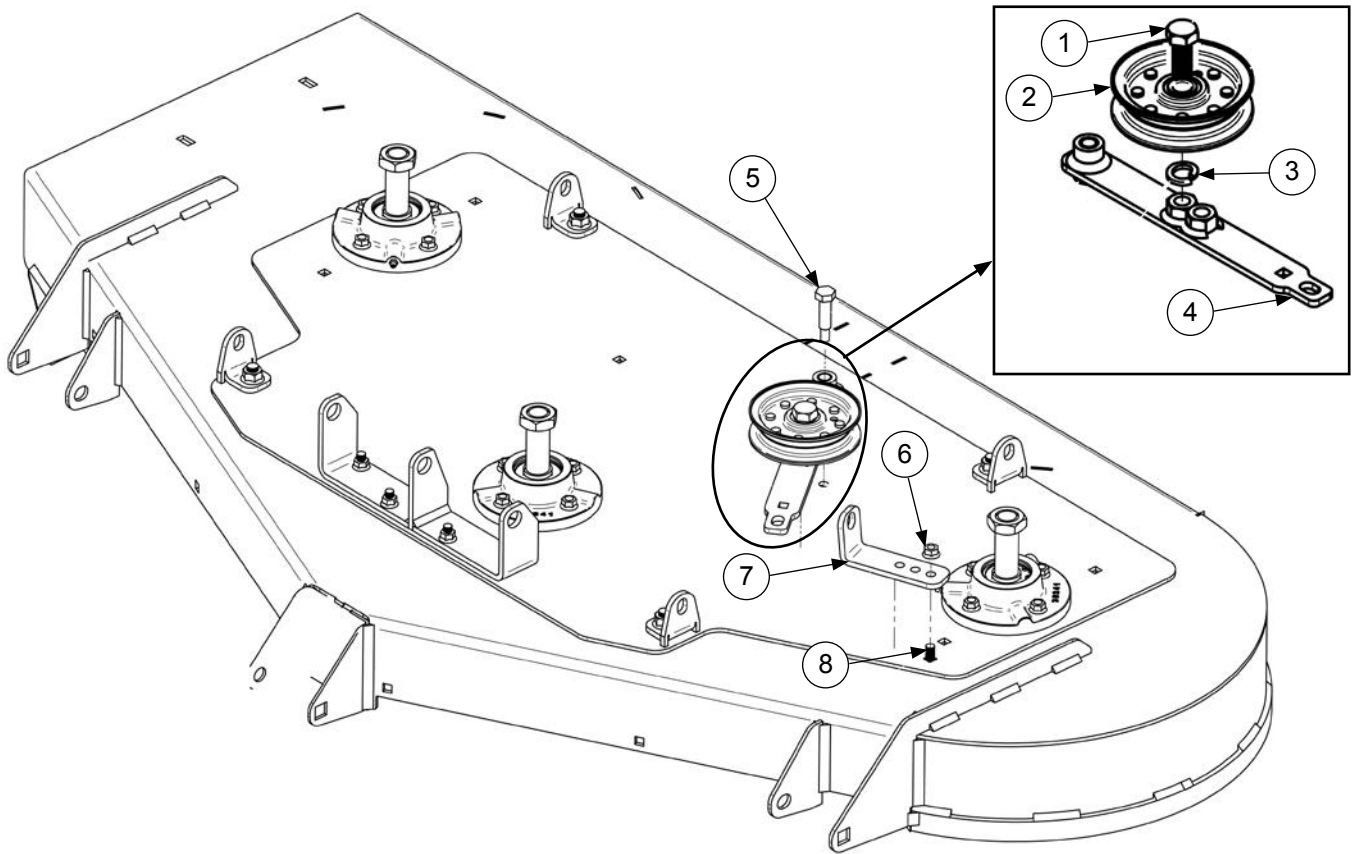
REF	PART#	DESCRIPTION	Qty
1	300703	Front and Rear Deck Lift Brackets	4
2	N-157	1/2 - 13 Flange Nut	4
3	300701	Deck Stabilizer Bracket	1
4	N-108	3/8 - 16 Flange Nut	4
5	B-353	1/2 - 13 X 1 1/4 Carriage Bolt	4
6	B-136	3/8 - 16 X 1 1/4 Carriage Bolt	4
7	300689	Deck Shell (Bare)	1
8	300697	Top Plate	1

# Spindles



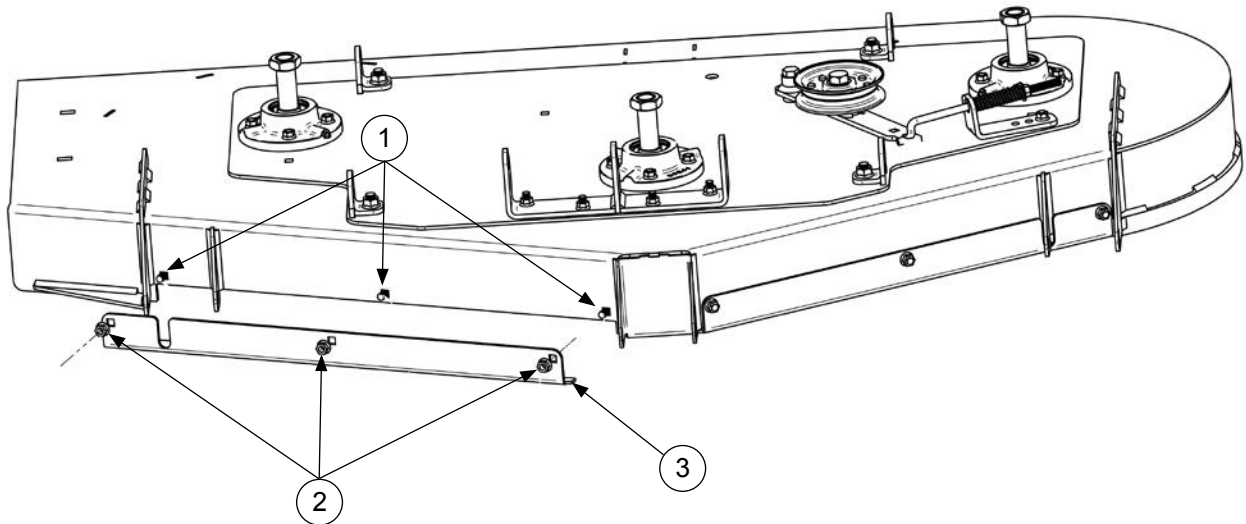
REF	PART#	DESCRIPTION	Qty
1	N-108	3/8 - 16 Flange Nut	12
2	300441	Complete Deck Hub (Short)	3
3	B-136	3/8 - 16 X 1 1/4 Carriage Bolt	12

# Spindle Belt Idler



REF	PART#	DESCRIPTION	Qty
1	B-264	5/8 - 11 X 1 1/2 Bolt	1
2	30224	Flat Idler	1
3	W-111	5/8 Lock Washer	1
4	300510	Deck Idler	1
5	B-118	1/2 - 13 X 2 1/4 Shoulder Bolt	1
6	N-108	3/8 - 16 Flange Nut	1
7	300393	Spring Bracket	1
8	B-135	3/8 - 16 X 1 Carriage Bolt	1

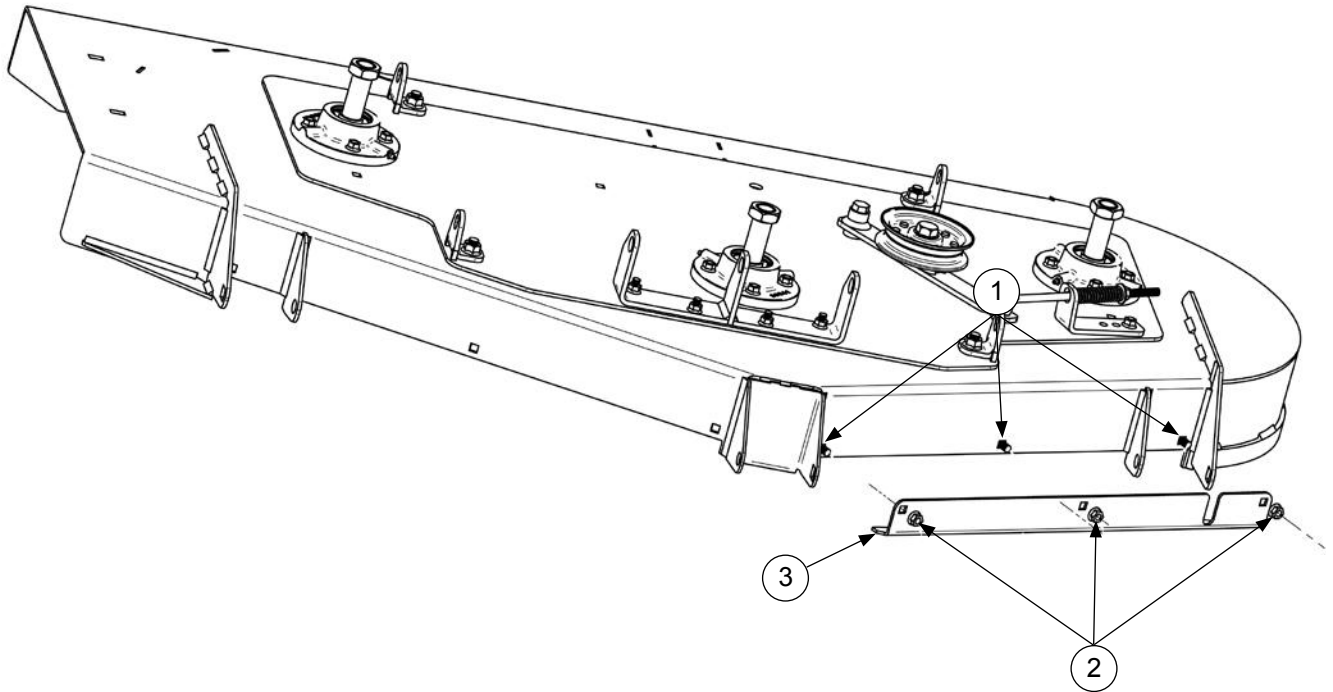
# Right Baffle



REF	PART#	DESCRIPTION	Qty
1	B-110	3/8 - 16 X 3/4 Carriage Bolt	3
2	N-108	3/8 - 16 Flange Nut	3
3	300694	Baffle Right Side	1

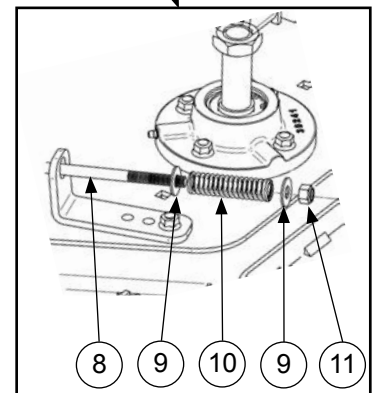
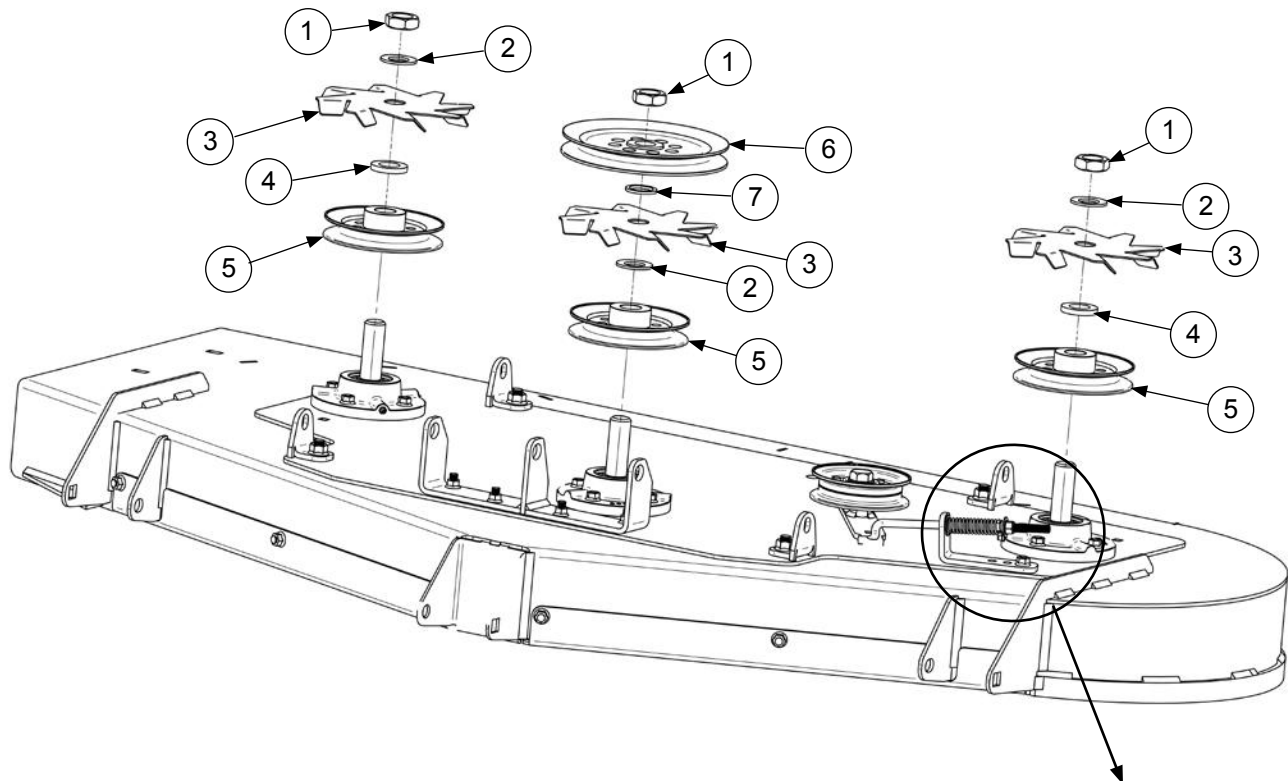


# Left Baffle



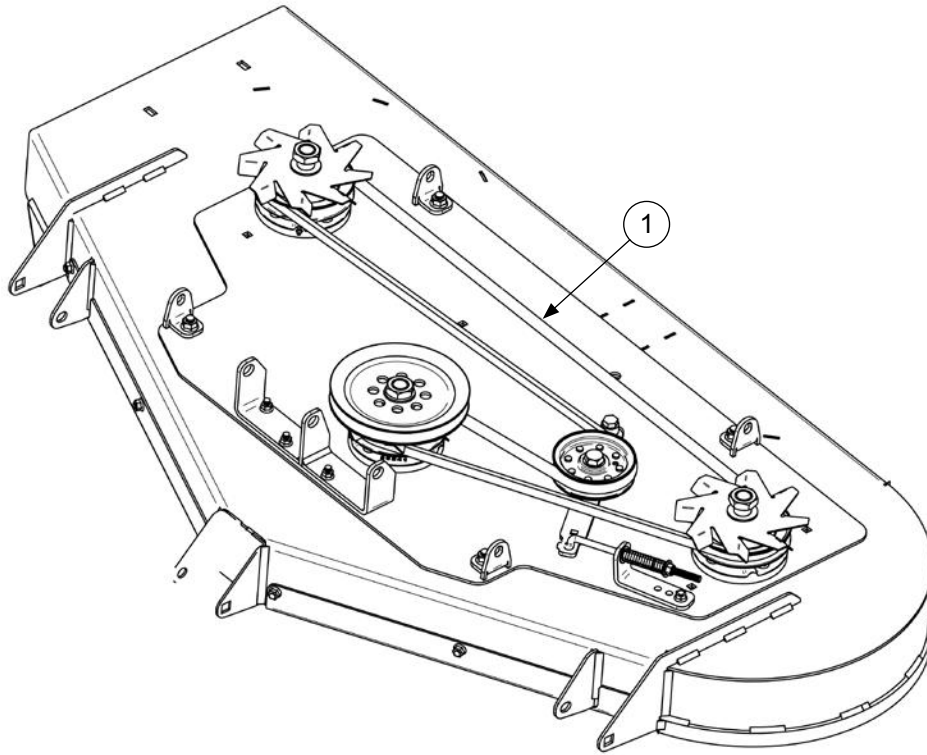
REF	PART#	DESCRIPTION	Qty
1	B-110	3/8 - 16 X 3/4 Carriage Bolt	3
2	N-108	3/8 - 16 Flange Nut	3
3	300693	Baffle Left Side	1

# Pulleys, Fans Idler Springs



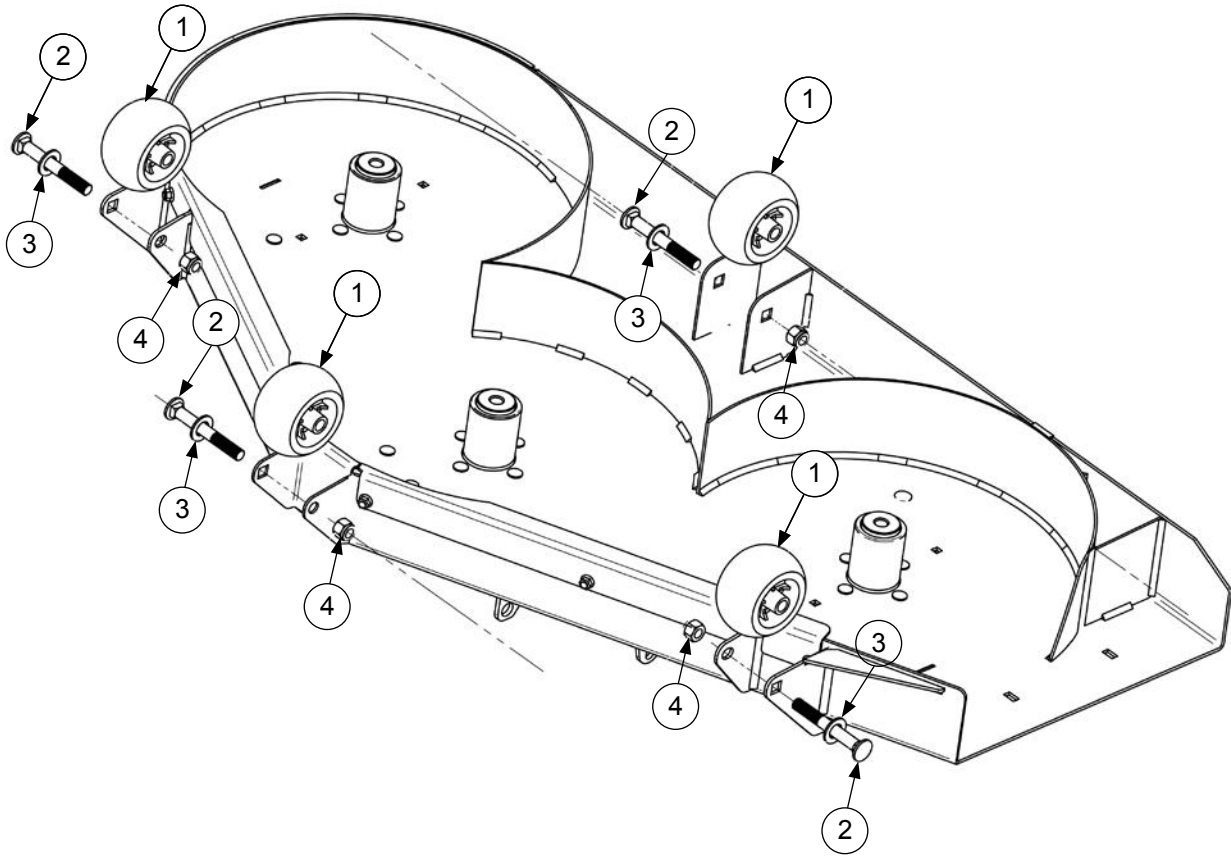
REF	PART#	DESCRIPTION	Qty
1	N-167	1 - 14 Nut	3
2	W-137	1 ID X 2 OD Bellville Washer	3
3	300058	Fan (Includes Danger Decal 800056)	3
4	W-146	1 ID X 1 3/4 OD Washer	2
5	9907525X100S	Pulley (Split)	3
6	300059	Pulley	1
7	W-131	1 ID X 1 1/2 OD X 1/8 Washer	1
8	300184	Deck Idler Tension Rod	1
9	W-104	3/8 Flat Washer	2
10	68280	Spring	1
11	N-107	3/8 - 16 Nylon Lock Nut	1

# Belt



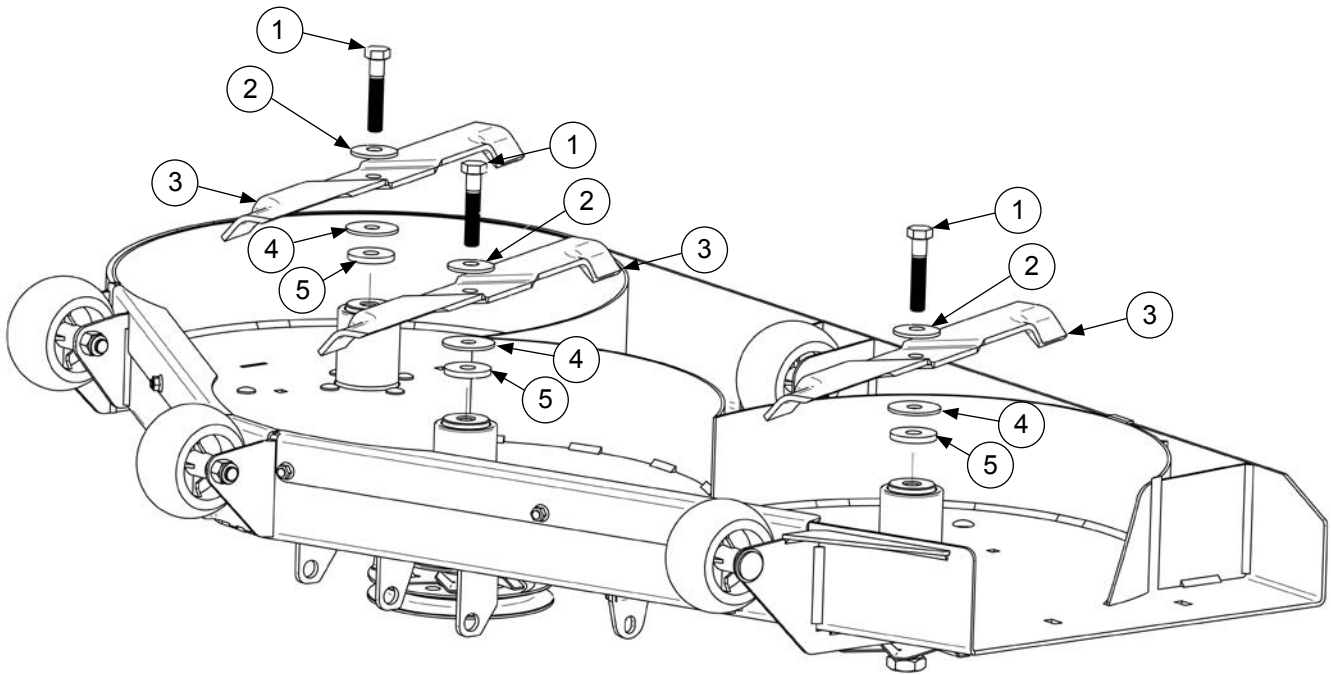
REF	PART#	DESCRIPTION	Qty
1	2006B128R	Spindle Drive Belt	1

# Rollers



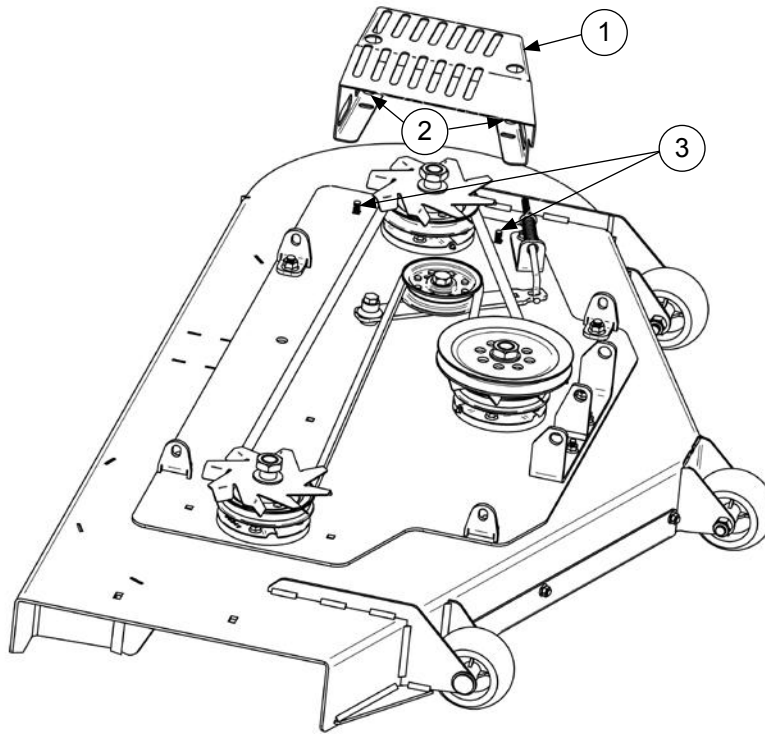
REF	PART#	DESCRIPTION	Qty
1	300365	Anti Scalp Roller	4
2	B-278	5/8 - 11 X 5 Carriage Bolt	4
3	W-188	Flat Washer 3/4	4
4	N-115	5/8 - 11 Nylon Lock Nut	4

# Blades and Hardware



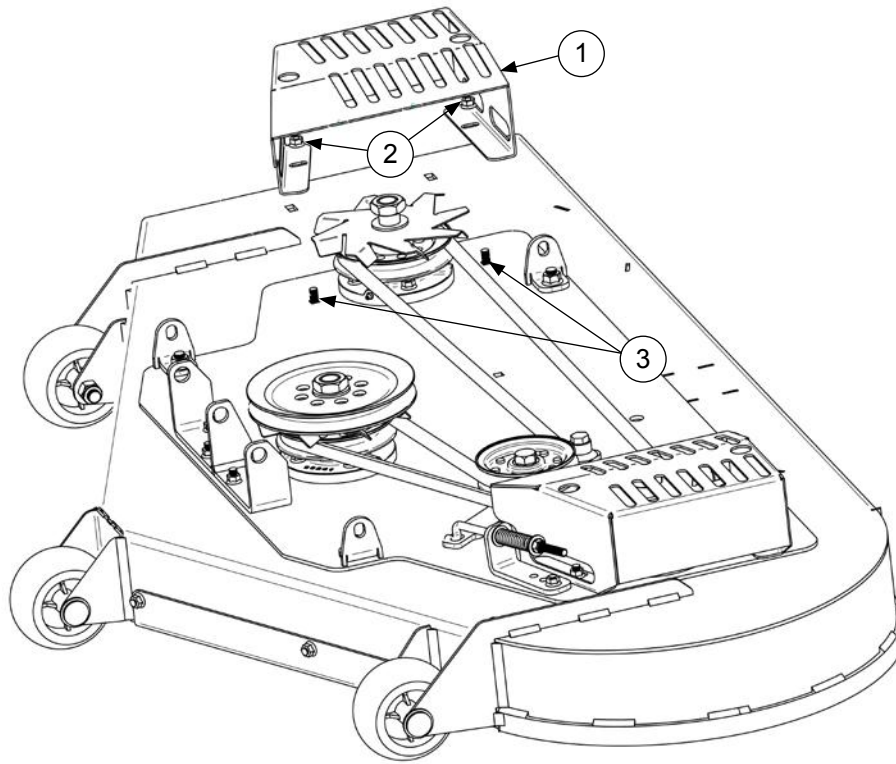
REF	PART#	DESCRIPTION	Qty
1	B-121-L	5/8 - 18 X 3 Blade Bolt	3
2	W-100	5/8 ID X 2 OD Bellville Washer	3
3	30227-62X	Blade X Style	3
4	W-101	5/8 ID X 2 1/4 OD Fiber Washer	3
5	W-182	.656 ID X 2 OD X 1/4 Blade Spacer	3

# Left Side Pulley Guard



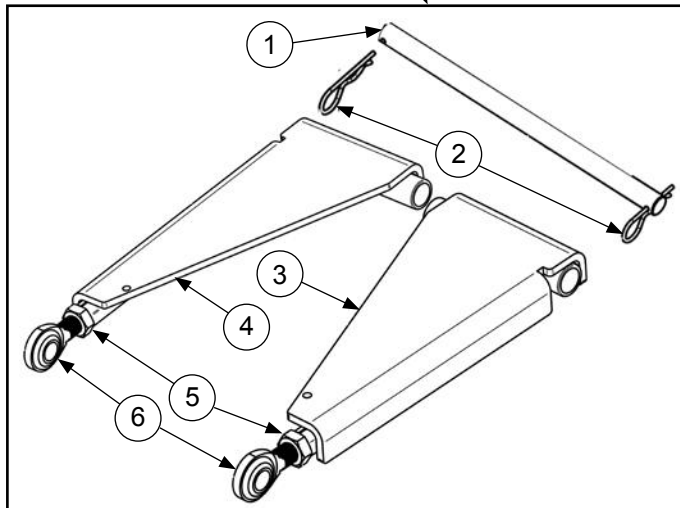
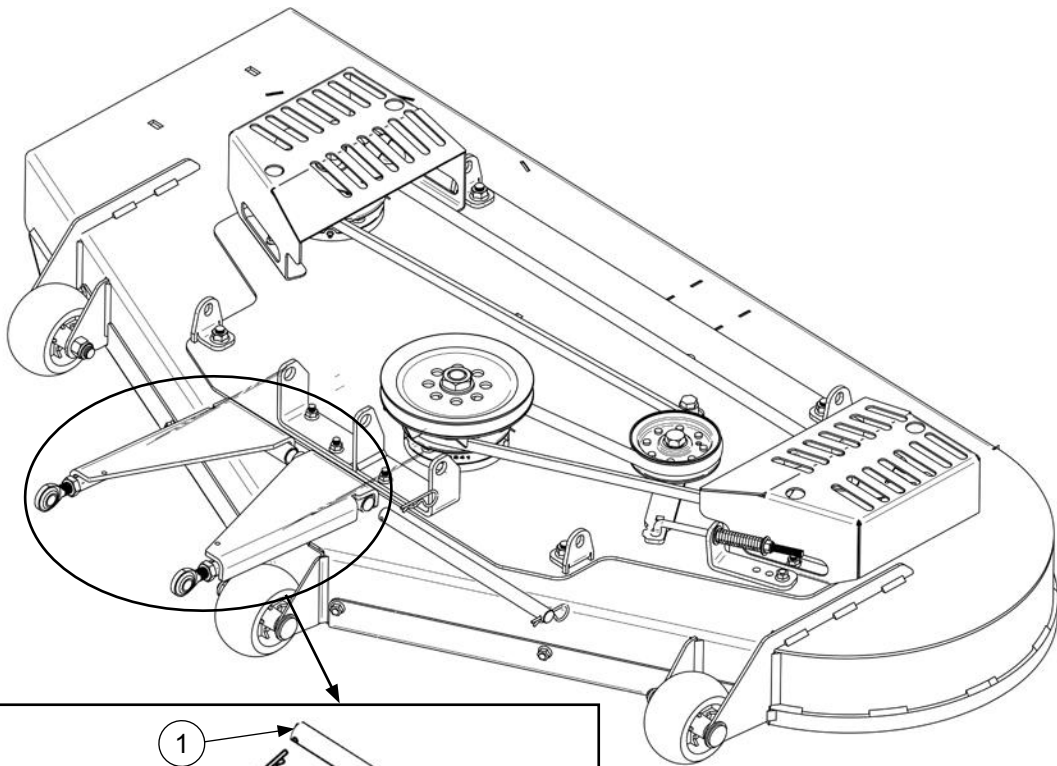
REF	PART#	DESCRIPTION	Qty
1	300707	Left Pulley Guard	1
2	N-108	3/8 - 16 Flange Nut	2
3	B-135	3/8 - 16 X 1 Carriage Bolt	2

# Right Side Pulley Guard



REF	PART#	DESCRIPTION	Qty
1	300706	Right Pulley Guard	1
2	N-108	3/8 - 16 Flange Nut	2
3	B-135	3/8 - 16 X 1 Carriage Bolt	2

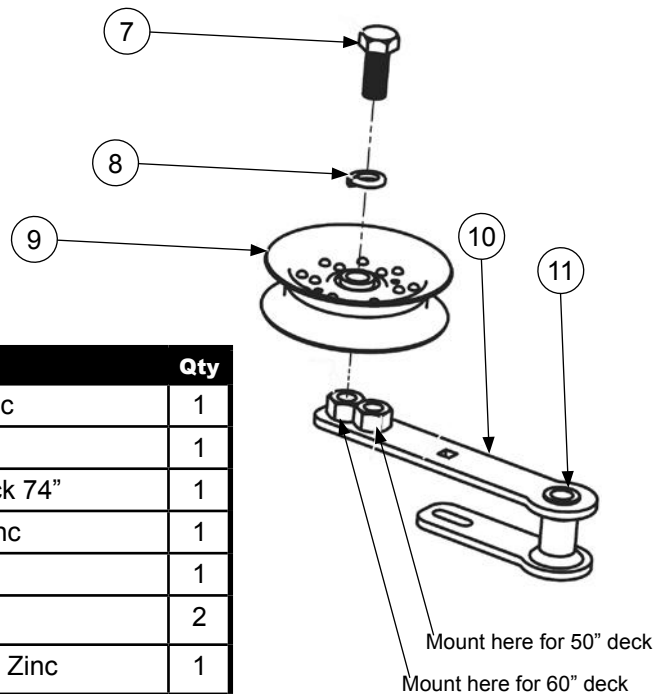
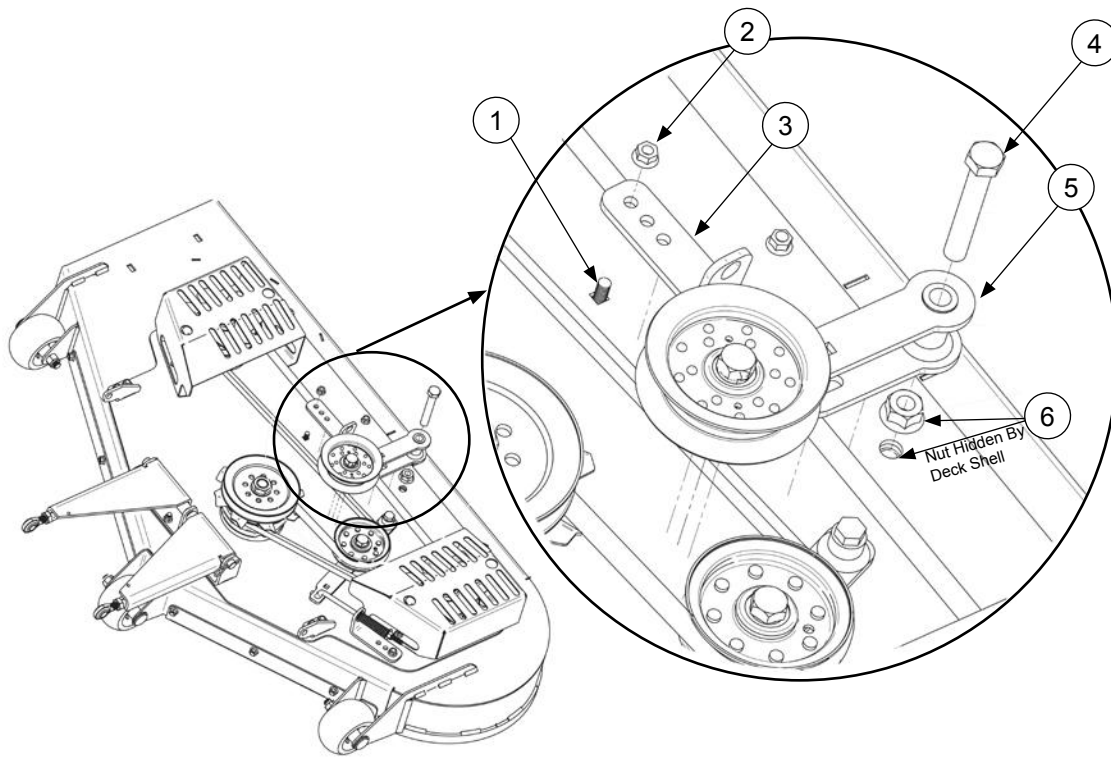
# Deck Stabilizer



REF	PART#	DESCRIPTION	Qty
1	300050	Deck Stabilizer Rod	1
2	30213	Clip (Hair Pin)	2
3	300473	Left Deck Stabilizer	1
4	300472	Right Deck Stabilizer	1
5	N-191	5/8 Jam Nut	2
6	900070	Hyme Joint	2

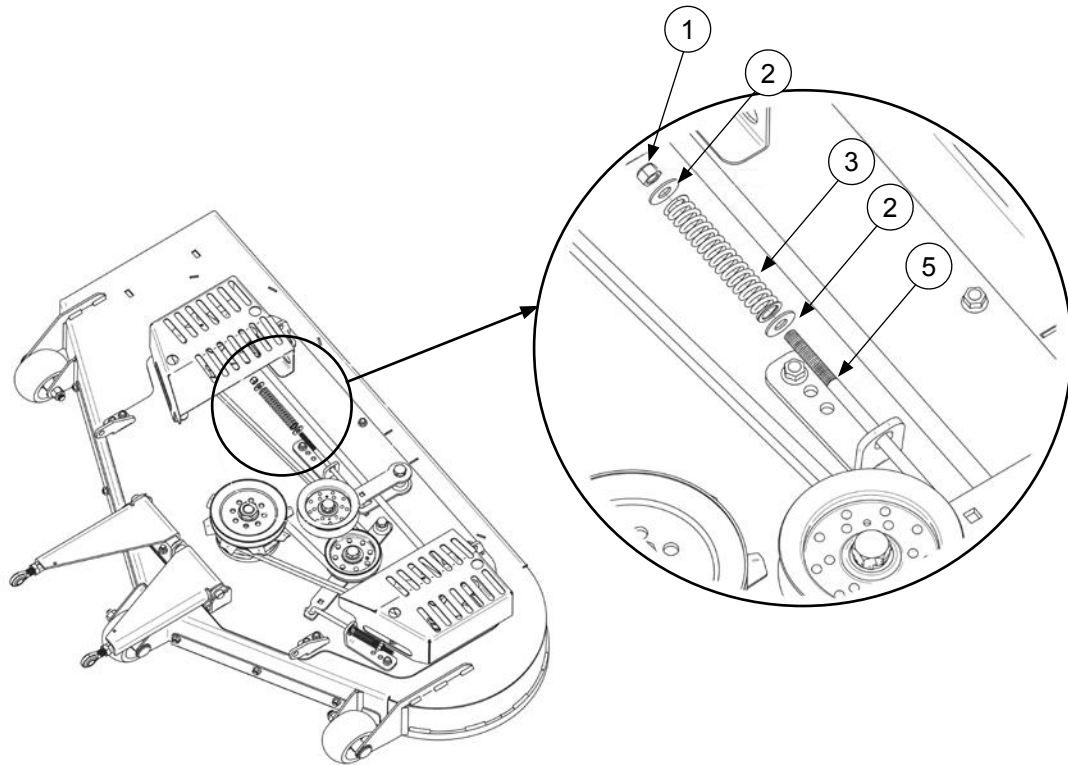


# Engine to Deck Idler



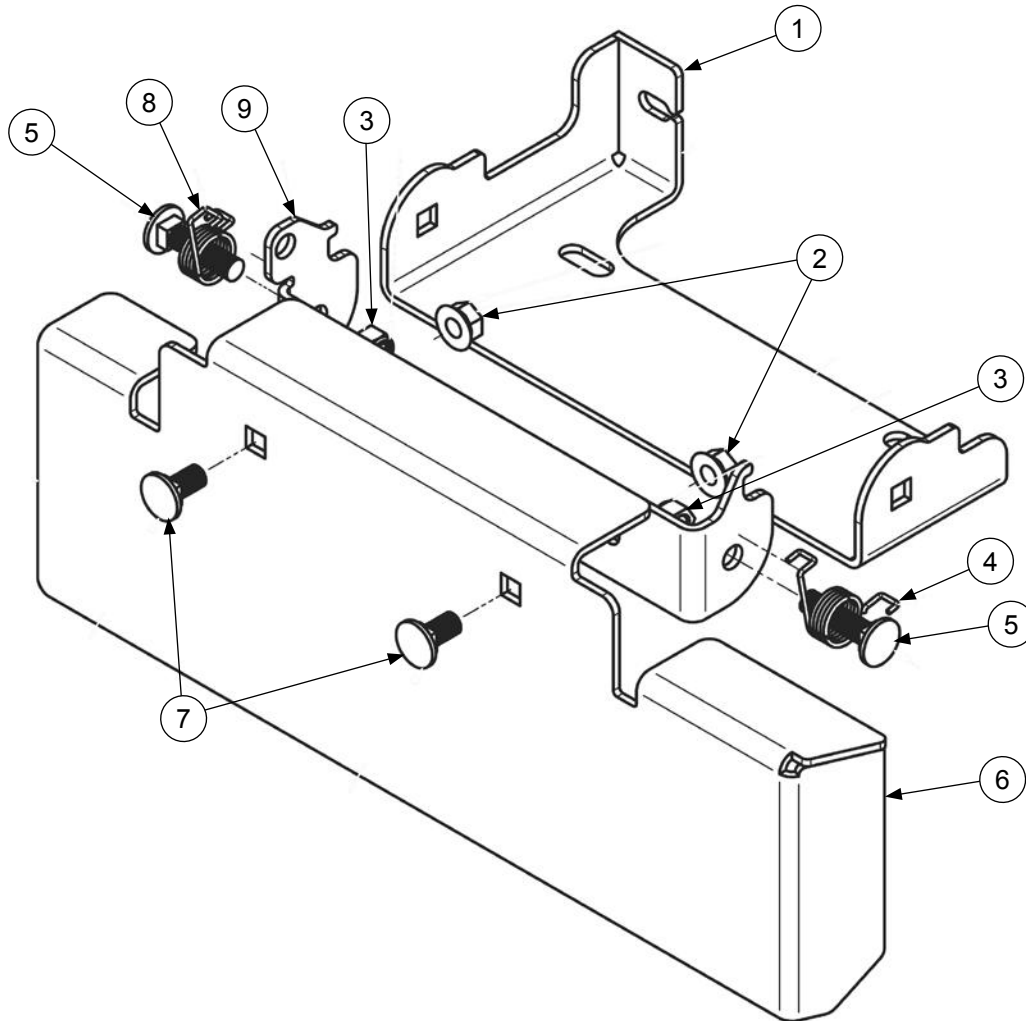
REF	PART#	DESCRIPTION	Qty
1	B-135	Bolt - 3/8-16X1 CARR FT Gr.5 Zinc	1
2	N-108	Nut - 3/8"-16 Whiz	1
3	300393	Bracket - Tension Spring Idler Deck 74"	1
4	B-309	Bolt - 5/8-11X4 HHCS PT Gr. 5 Zinc	1
5	100412	Idler Assembly	1
6	N-195	Nut - 5/8 - 11 Whiz Flange	2
7	B-264	Bolt - 5/8-11X1-1/2 HHCS FT Gr.5 Zinc	1
8	W-111	Washer - 5/8 Lock	1
9	300401	Pulley - 4.00" Flat Idler Deep Deck	1
10	100411	Weld-Arm Idler Black	1
11	400697	Bushing-Plastic .625IDX.750ODX1.00L	2

# Engine to Deck Idler Tension Spring



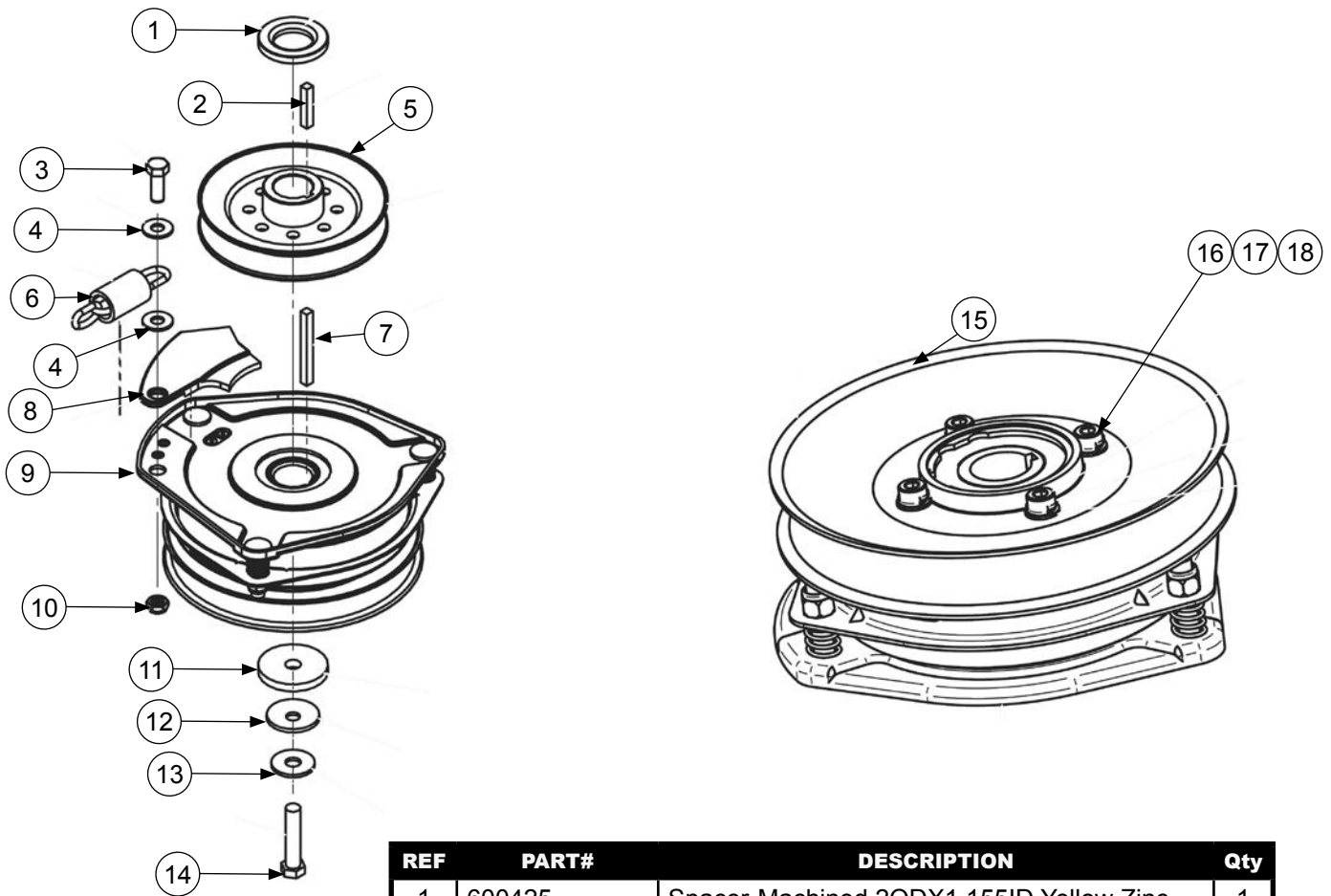
REF	PART#	DESCRIPTION	Qty
1	N-107	Nut-3/8"-16 Nyloc	1
2	W-104	Washer - 3/8 Flat	2
3	97390	Spring - Diesel Engaging 40LB	1
4	300184	Rod - Deck Idler Tension (34LT, 44LT)	1

# Complete 60" OCDC



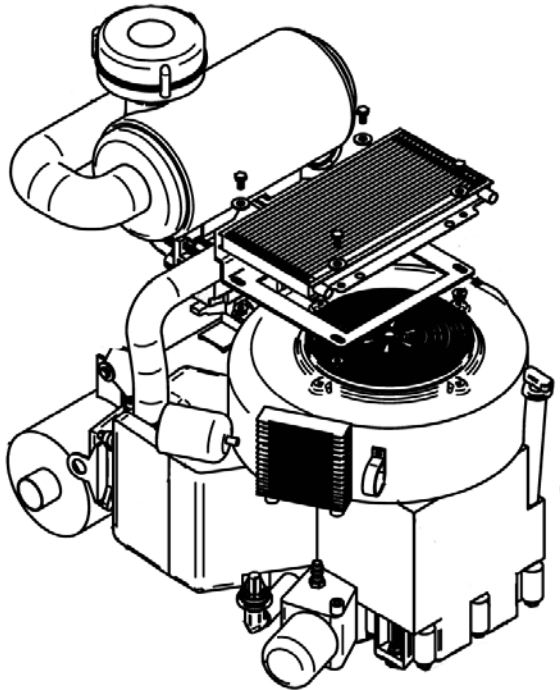
REF	PART#	DESCRIPTION	Qty
1	300766	Bracket-Base OCDC Black	1
2	N-108	Nut - 3/8"-16 Whiz	2
3	N-107	Nut-3/8"-16 Nyloc	2
4	200264	Spring - Tortion IE RH	1
5	B-190	Bolt - 3/8-16X1-1/2 CARR FT Gr.5 Zinc	2
6	300768	Bracket-Cover OCDC 60 Black	1
7	B-110	Bolt - 3/8-16X3/4 CARR FT Gr.5 Zinc	2
8	200263	Spring - Tortion IE LH	1
9	300770	Bracket-Hinge OCDC Black	1

# Pulley Stack and Electric Clutch

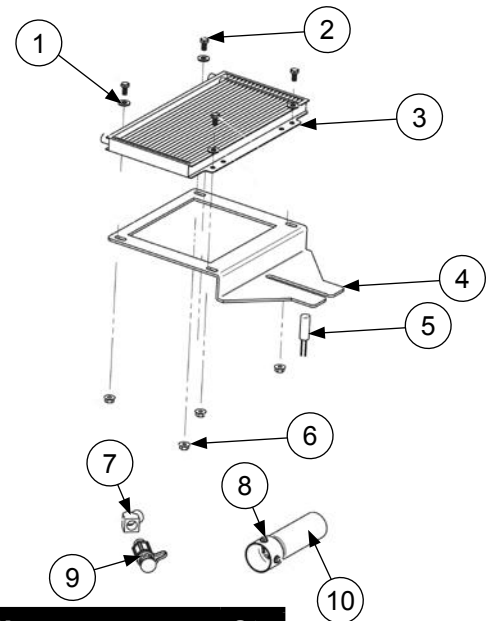


REF	PART#	DESCRIPTION	Qty
1	600425	Spacer-Machined 2ODX1.155ID Yellow Zinc	1
2	K-105	Key - 1/4 X 1-3/8 Square	1
3	B-108	Bolt - 3/8-16X1 HHCS FT Gr.5 Zinc	1
4	W-113	Washer - 5/16 Flat	2
5	600430	Pulley - 5.00" x 1.125" Bore Engine	1
6	500118	Chain - 4 Link	1
7	K-100	Key - 1/4 X 2-1/2 Square	1
8	500117	Cover-Wire Ogura Clutch	1
9	500095	Clutch - Ogura GT3.5-DC01	1
10	N-108	Nut - 3/8"-16 Whiz	1
11	600422	Spacer-.460IDX2.00ODX.25Th Zinc Plated	1
12	W-144	Washer - 7/16 SS Bellville	1
13	W-166	Washer - 7/16 Flat	1
14	B-199	Bolt - 7/16-20X2 HHCS PT Gr.8 Zinc	1
15	600361	Pulley - Clutch Ogura 6.75	1
16	B-221	Bolt - M8X1.25X20 SHCS	4
17	W-163	Washer - M8 Lock	4
18	W-161	Washer - M8 Flat	4

# Complete Engine



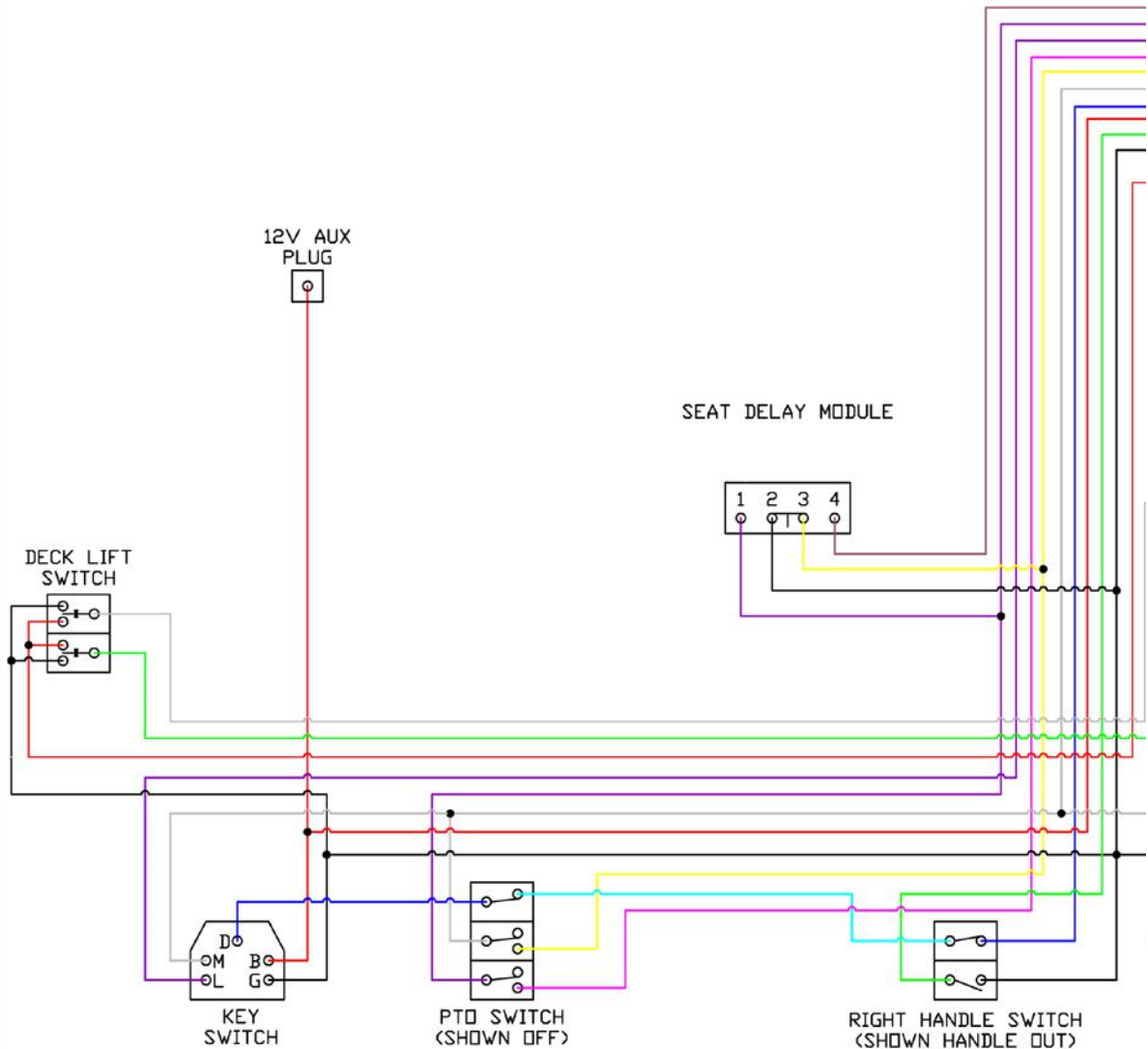
760cc Complete Generac Engine 600389  
990cc Complete Generac Engine 600391



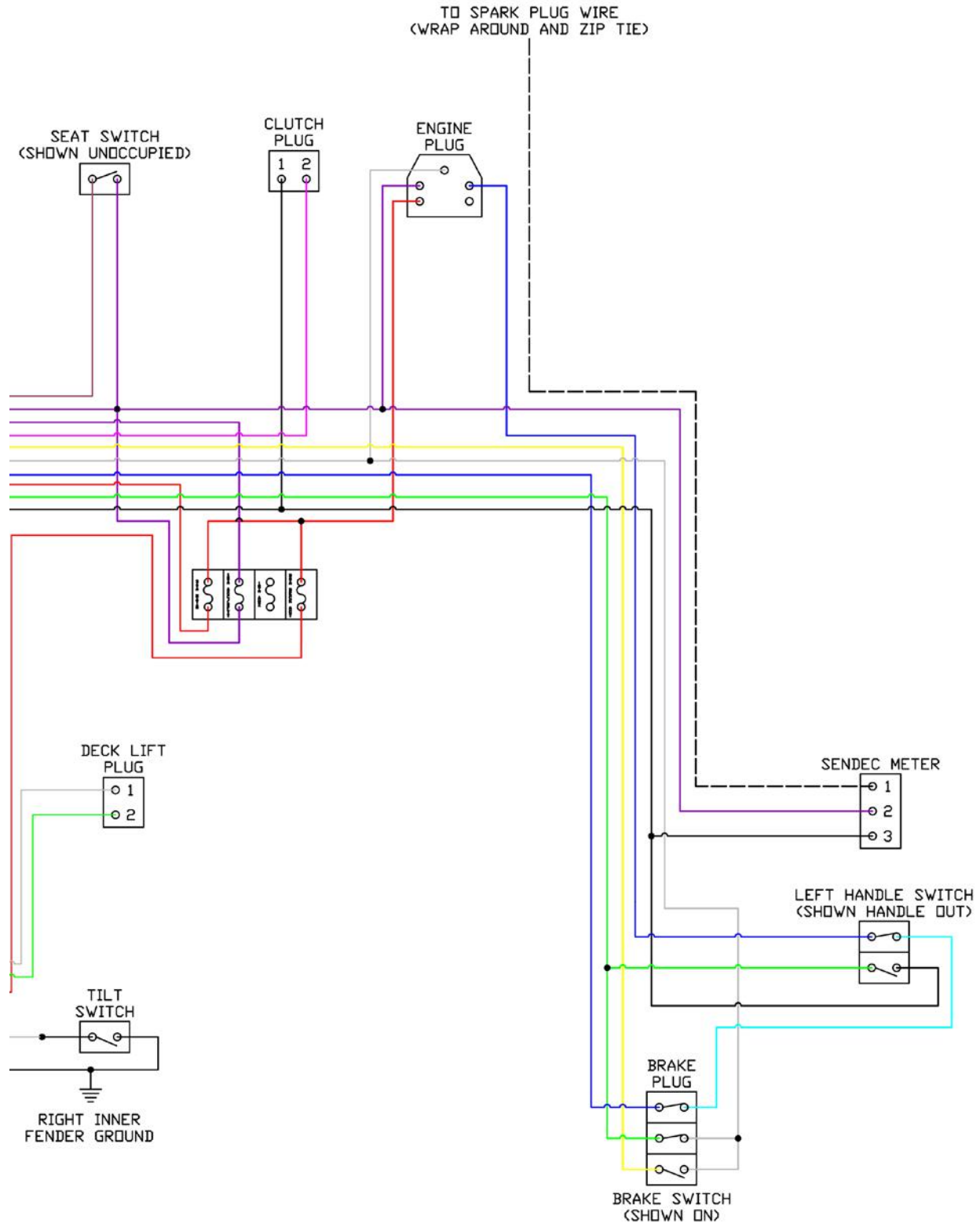
REF	PART#	DESCRIPTION	Qty
A	600389	Complete 760cc Generac Engine	
B	600391	Complete 990cc Generac Engine	
1	B-103	Bolt - 1/4-20X1/2 HHCS FT SS	4
2	W-153	Washer - 1/4 SS Flat	4
3	60103-L	Cooler - Short Oil	1
4	400105	Bracket - Cooler f/Generac	1
5	40229	Switch - Tilt (non-Hg)	1
6	N-101	Nut - 1/4 - 20 SS Whiz	4
7	600085	Fitting - 3/8 45 deg. Street Elbow	1
8	S-128	Screw - 10-16x3/4" Self Taping Whiz HH	2
9	600161	Valve - Drain Pan Oil	1
10	600316	Tailpipe - Muffler Strght f/Gen XC,CL,SE	1

# Wiring Harness

## Wiring Harness 500121



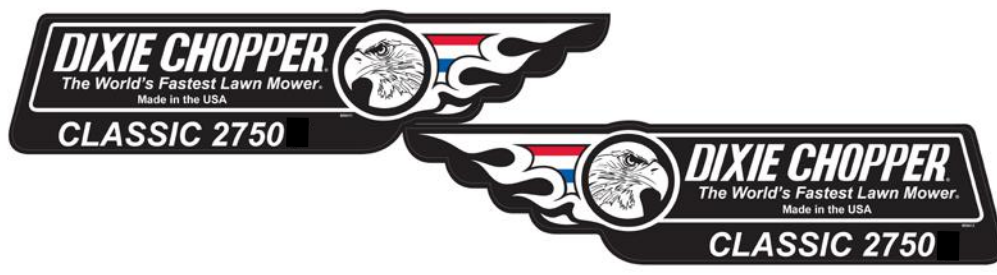
# Wiring Harness



# Decals

Decals Shown As a Reference  
Decals May Vary For Your Model

REF	PART#	DESCRIPTION	Qty
1	800399	Classic 2750W	1
2	800400	Classic 2760W	1
3	800401	Classic 3360W	1





# Notes

# Notes

# Notes



6302 E. County Road 100 North  
Coatesville, Indiana 46121  
[www.dixiechopper.com](http://www.dixiechopper.com)

Dixie Chopper® and The World's Fastest Lawn Mower® are registered trademarks of Magic Circle Corporation any and all use and/or reproductions are strictly prohibited. Specifications and instructions subject to change without notice, see your Authorized Dixie Chopper Dealer for further details.

Printed In USA